

**PRESSURE SYSTEMS, INC.**  
LOS ANGELES, CALIFORNIA

TANK, PROPELLANT

CAGE CODE	SIZE	ENG NO.	REV.
18229	E	80376	B
SCALE: 1/2	SHEET		1 OF 2

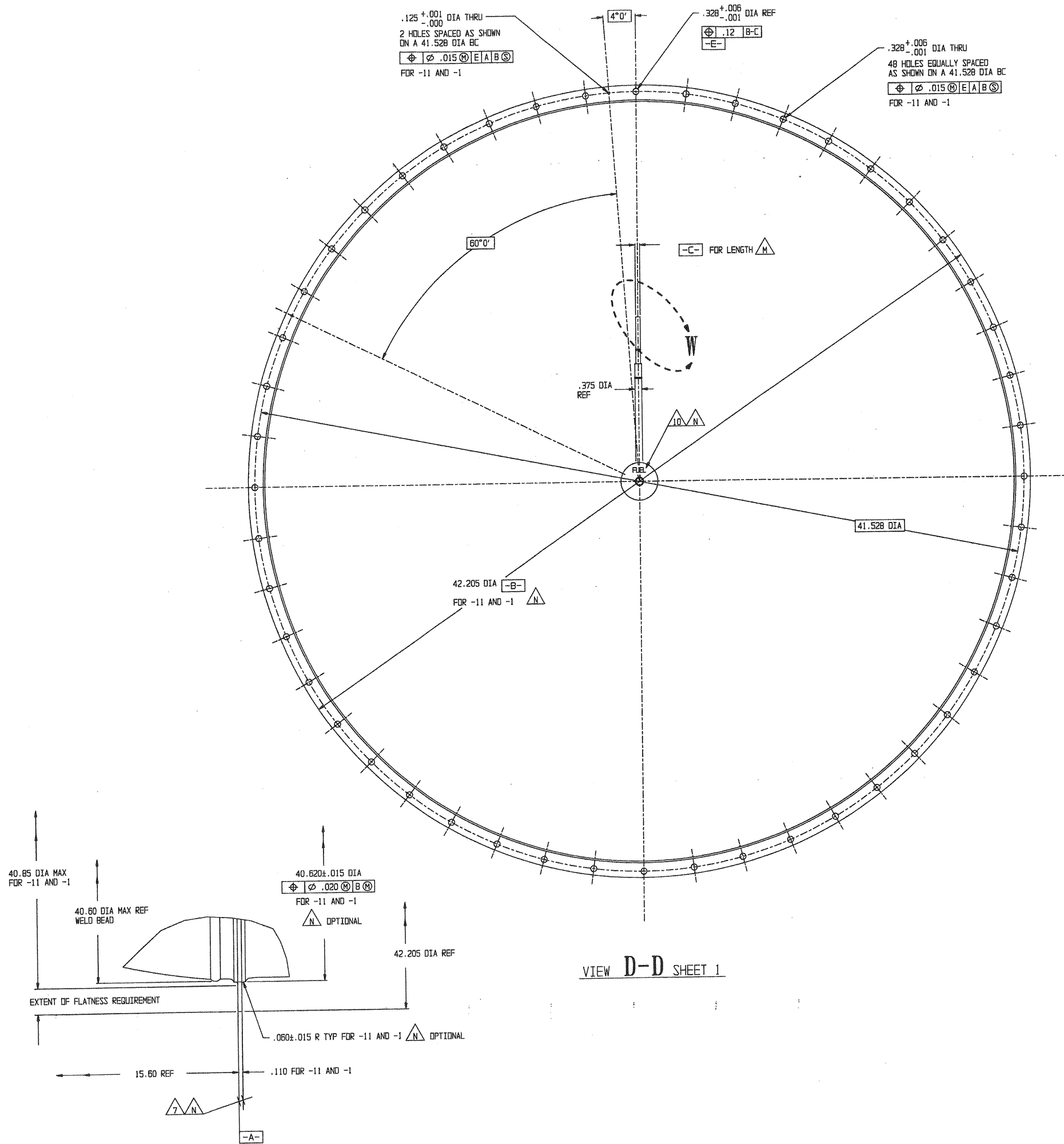
- (-11) TANK WELDMENT, MACHINED  
1 REGD FOR -1
- (-21) WELDMENT-TANK  
1 REGD FOR -11

D SHEET 2

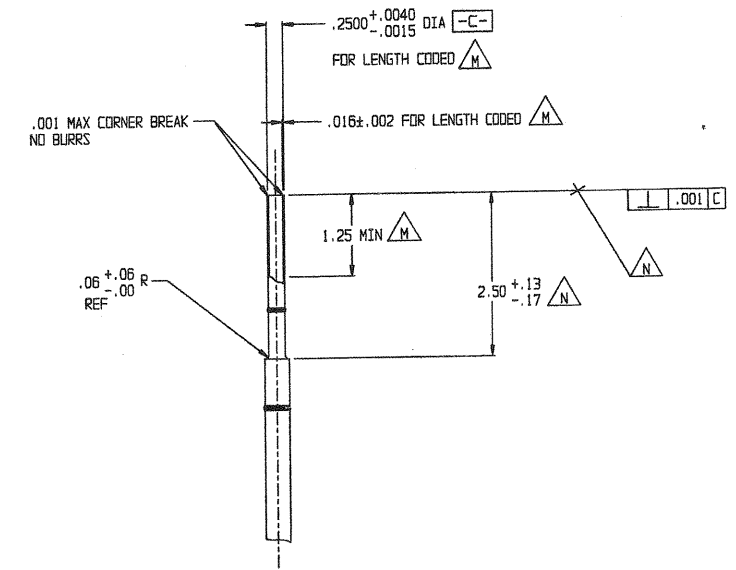
D SHEET 2

F SHEET 2

$\square$  .015  
-A-



VIEW D-D SHEET 1



<b>PRESSURE SYSTEMS, INC.</b> LOS ANGELES, CALIFORNIA			
TANK, PROPELLANT			
CASE CODE <b>18229</b>	SIZE <b>E</b>	DWG NO. <b>80376</b>	REV. <b>A</b>
SCALE: 1/2		SHEET 2 OF 2	