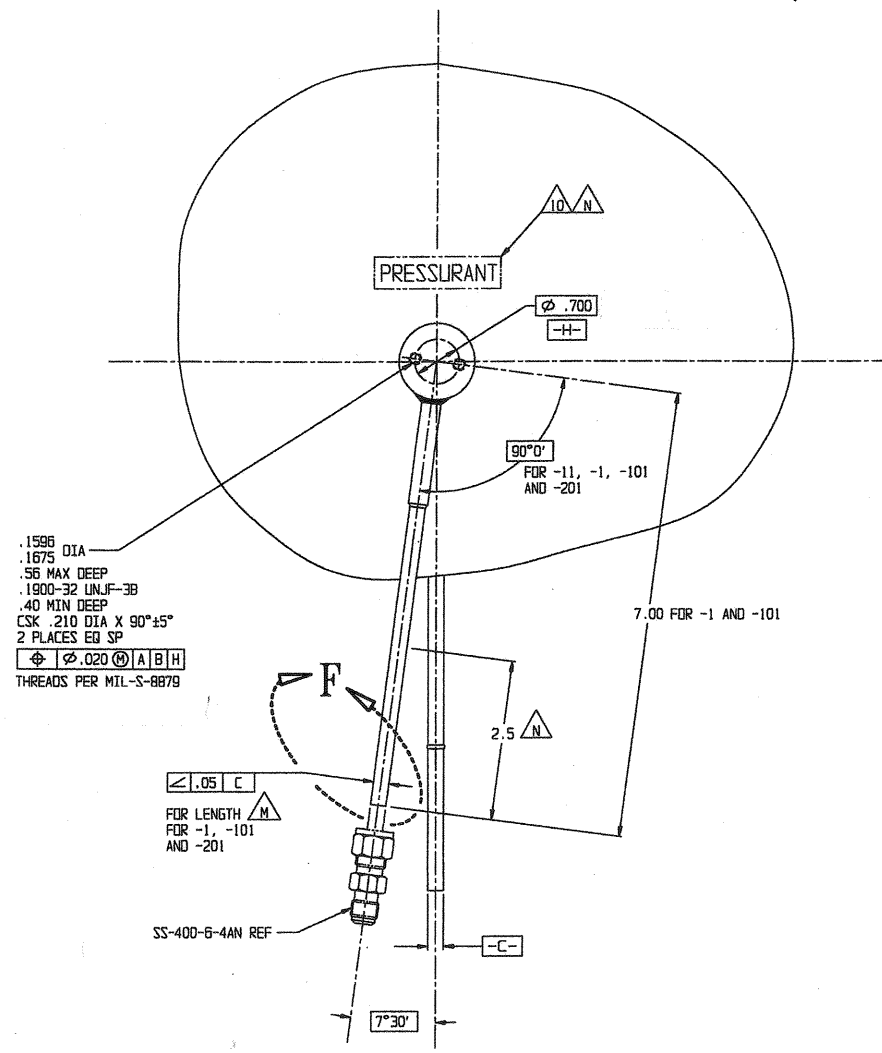


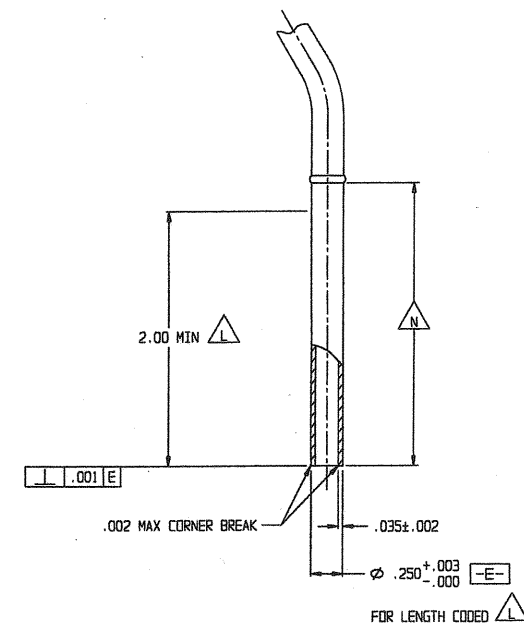
E
SHEET 2

E
SHEET 2

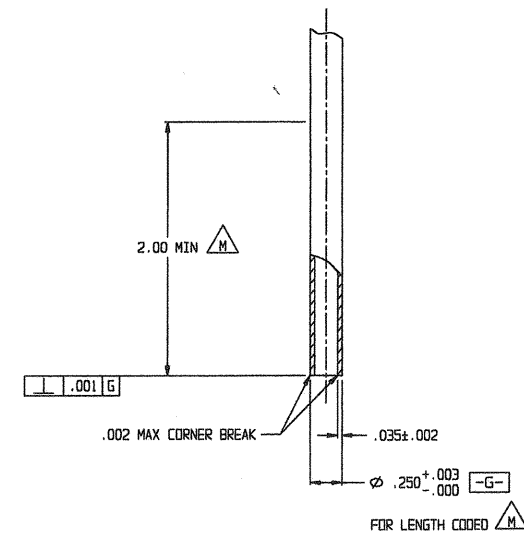
ATK SPACE SYSTEMS, INC. LOS ANGELES, CALIFORNIA			
PROPELLANT TANK			
CAGE CODE 18229	SIZE E	DWG NO. 80392	REV. B
SCALE: 1/1	SHEET	1 OF 2	



VIEW E-E SHEET 1



VIEW D SHEET 1 FOR -1, -101 AND -201
SCALE 2/1



VIEW F FOR -1, -101 AND -201
ROTATED 7°30' COUNTERCLOCKWISE
SCALE 2/1

ATK SPACE SYSTEMS, INC.			
LOS ANGELES, CALIFORNIA			
PROPELLANT TANK			
CAGE CODE	SIZE	ENG NO.	REV.
18229	E	80392	B
SCALE: 1/1	SHEET		2 OF 2