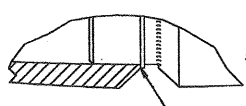


A SHEET 2

A SHEET 2



INSTALL PRESSURANT HEMISPHERE ASSY TO BOTTOM ON RETAINING RING SHOULDER PRIOR TO WELD

VIEW J

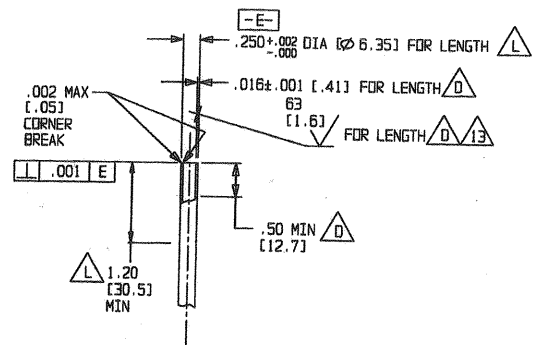
SCALE: 4/1

- (-2) TANK-WELDMENT
- (-1) TANK-MACHINED

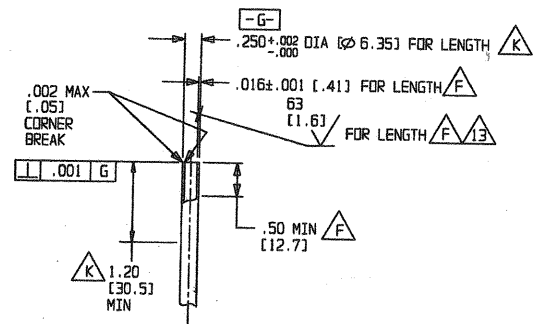
THESE SURFACES OF -11 AND -1 TO BE COPLANAR WITHIN .005 TIR FOR LUGS 'A', 'B', 'C', AND 'D'

4 SURFACES

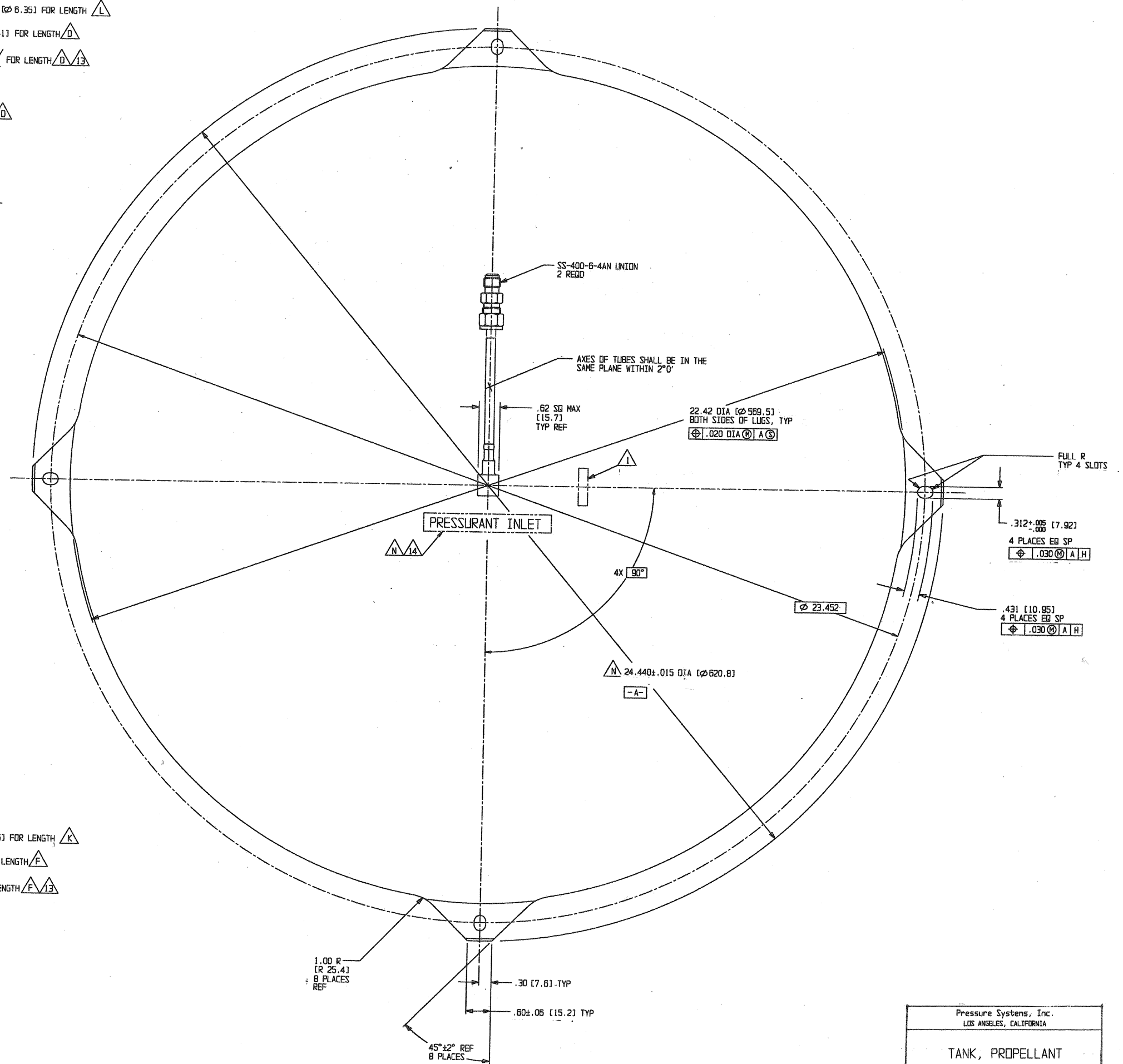
Pressure Systems, Inc. LOS ANGELES, CALIFORNIA			
TANK, PROPELLANT			
CODE IDENT. NO.	SIZE	REV.	
18229	E	80453	A
SCALE 1/1	SHEET 1 OF 2		



VIEW C SHEET 1 FOR -1



VIEW B SHEET 1 FOR -1
VIEW ROTATED 15° CLOCKWISE



Pressure Systems, Inc. LOS ANGELES, CALIFORNIA			
TANK, PROPELLANT			
CODE IDENT NO.	SIZE	REV.	
18229	E	80453	A