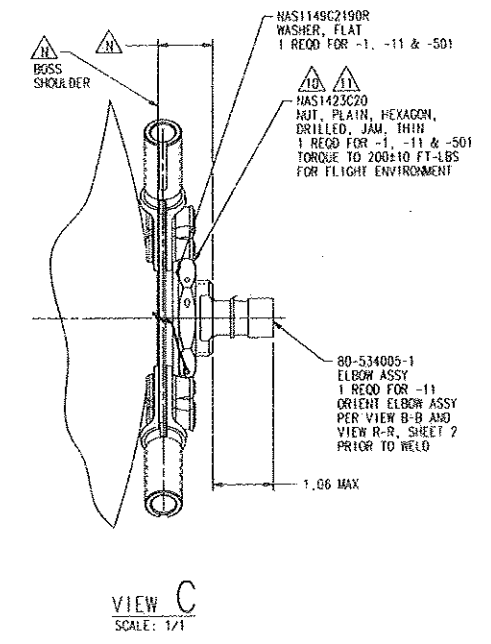
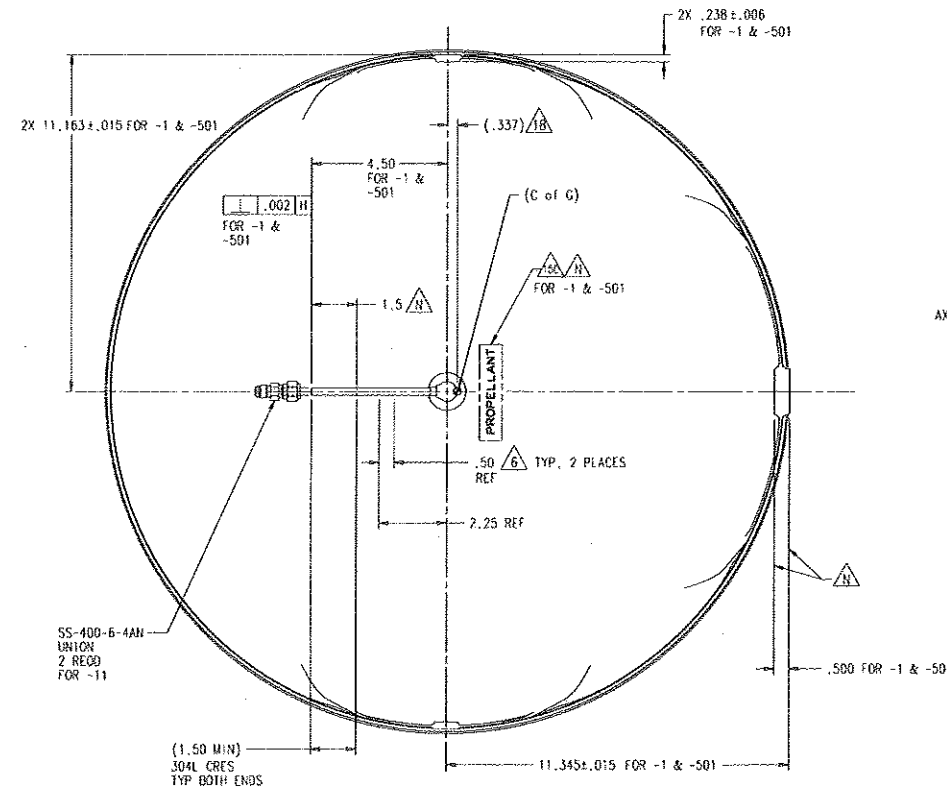


-1, -11 & -501 ASSY

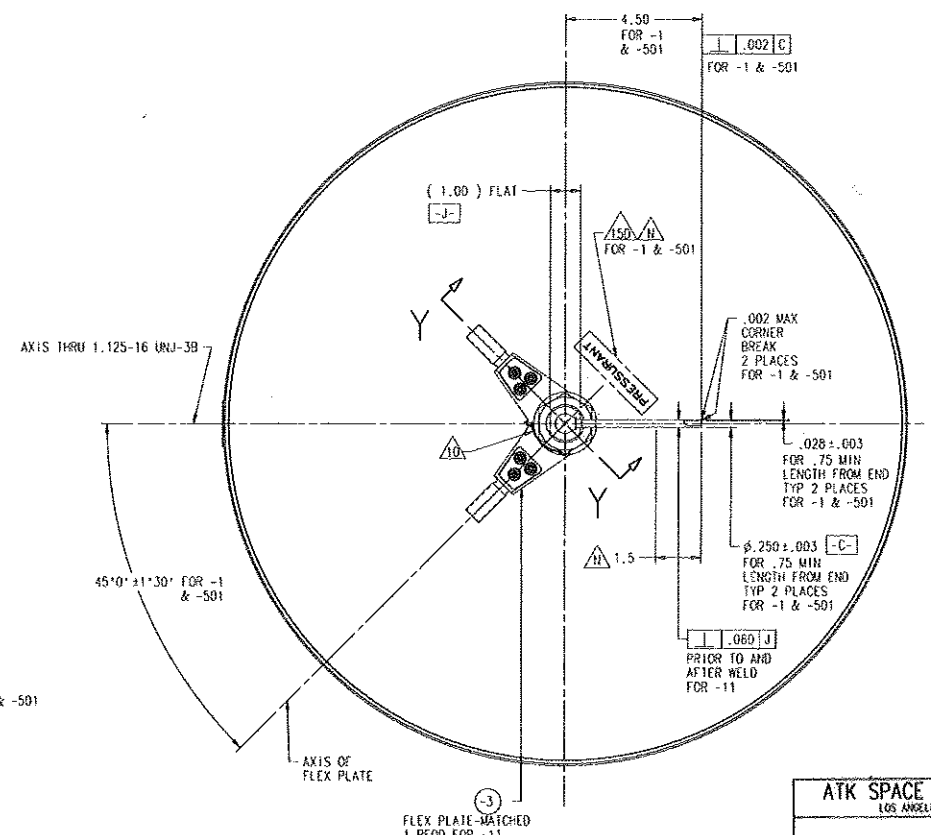
R SHEET 2



VIEW C
SCALE: 1/1



VIEW L-L SHEET 1



VIEW R-R SHEET 1

| | | | |
|--|----------|------------------|----------|
| ATK SPACE SYSTEMS, INC. LOS ANGELES, CALIFORNIA | | | |
| TANK, PROPELLANT - DIAPHRAGM DOWN | | | |
| QTL CODE 18229 | REV E | QTL NO. 80547 | REV C |
| SCALE: 1/2 & NOTES | | PAGE: 1 OF 3 | |