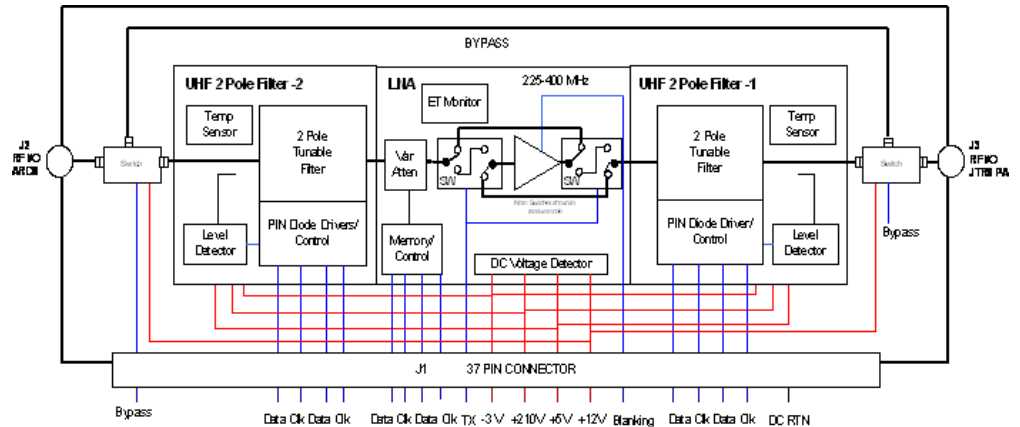




Ground Cosite Module-UHF



Frequency Range	225-400 MHz
Receive Gain	2 dB
Transmit Gain	0 dB
Receive Noise Figure	< 8 dB
Filter Tune Time	< 85 usec
Size	< 169 cubic inches
Weight	< 6 lbs
Power	< 34 Watts
DC Input (28VDC)	MIL-STD-1275 Compliant
Environmental	MIL-STD-810

For more information, please contact:

Northrop Grumman Corporation
 Xetron Campus - Business Development
 460 West Crescentville Road
 Cincinnati, OH 45246
 Telephone: (513) 881-3292
 Fax: (513) 881-3543
 e-mail: marketing.xetron@ngc.com
 website: www.xetron.com

Specifications and features subject to change without notice.

DS-445-VFB-0211
 ES20100493
 ES-DSEA-10-09456
 2011 RM Graphics

