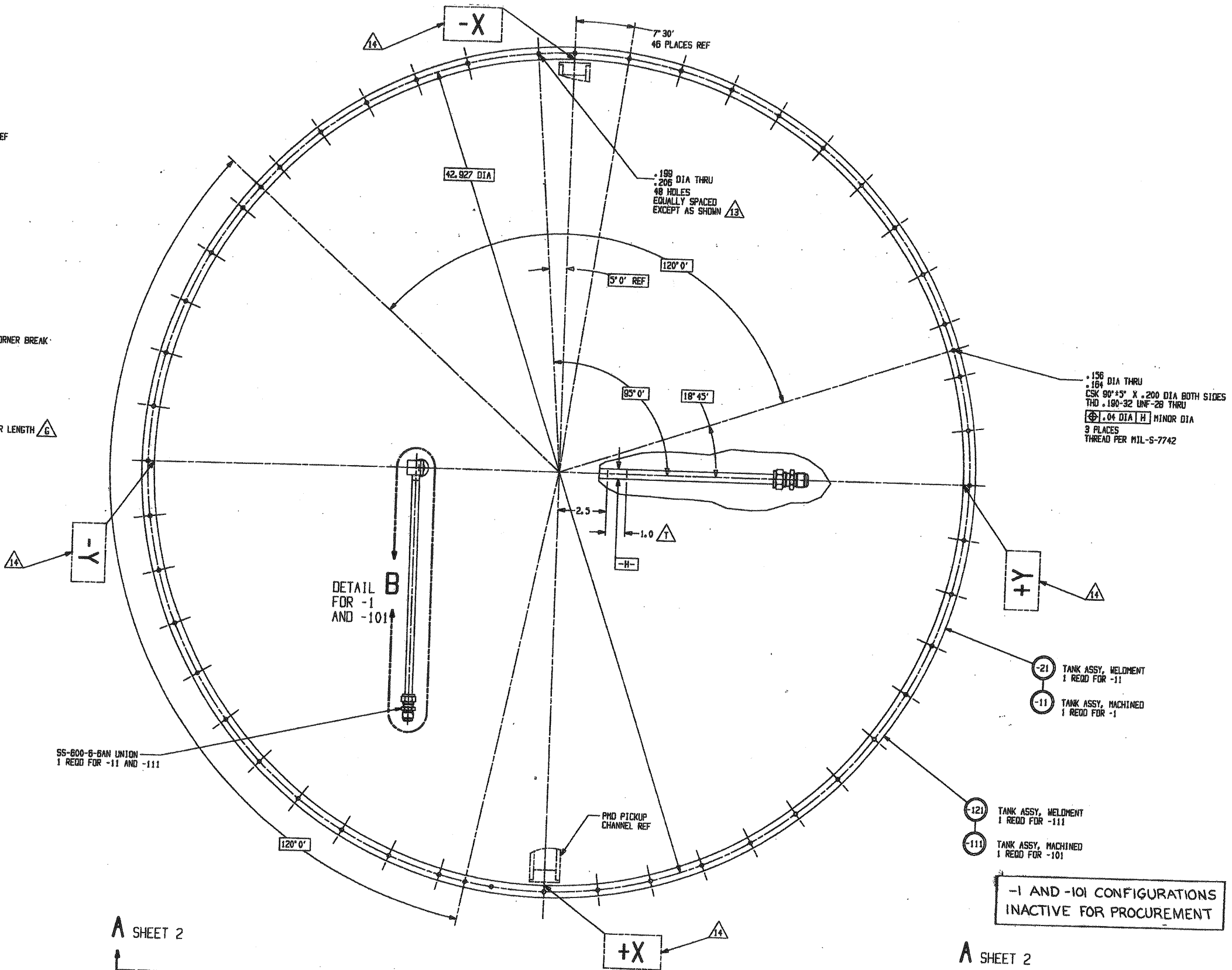


DETAIL B  
FOR -1 AND -101



SS-800-B-BAN UNION  
1 REQ FOR -11 AND -111

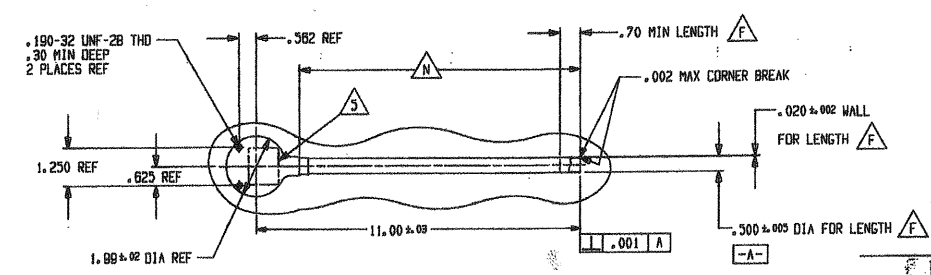
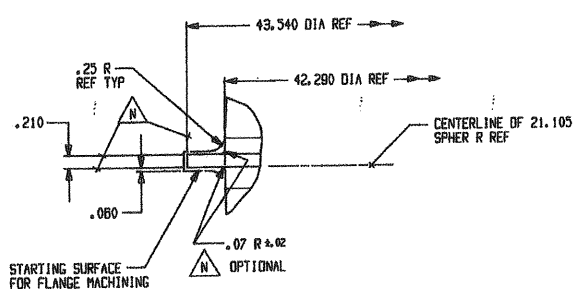
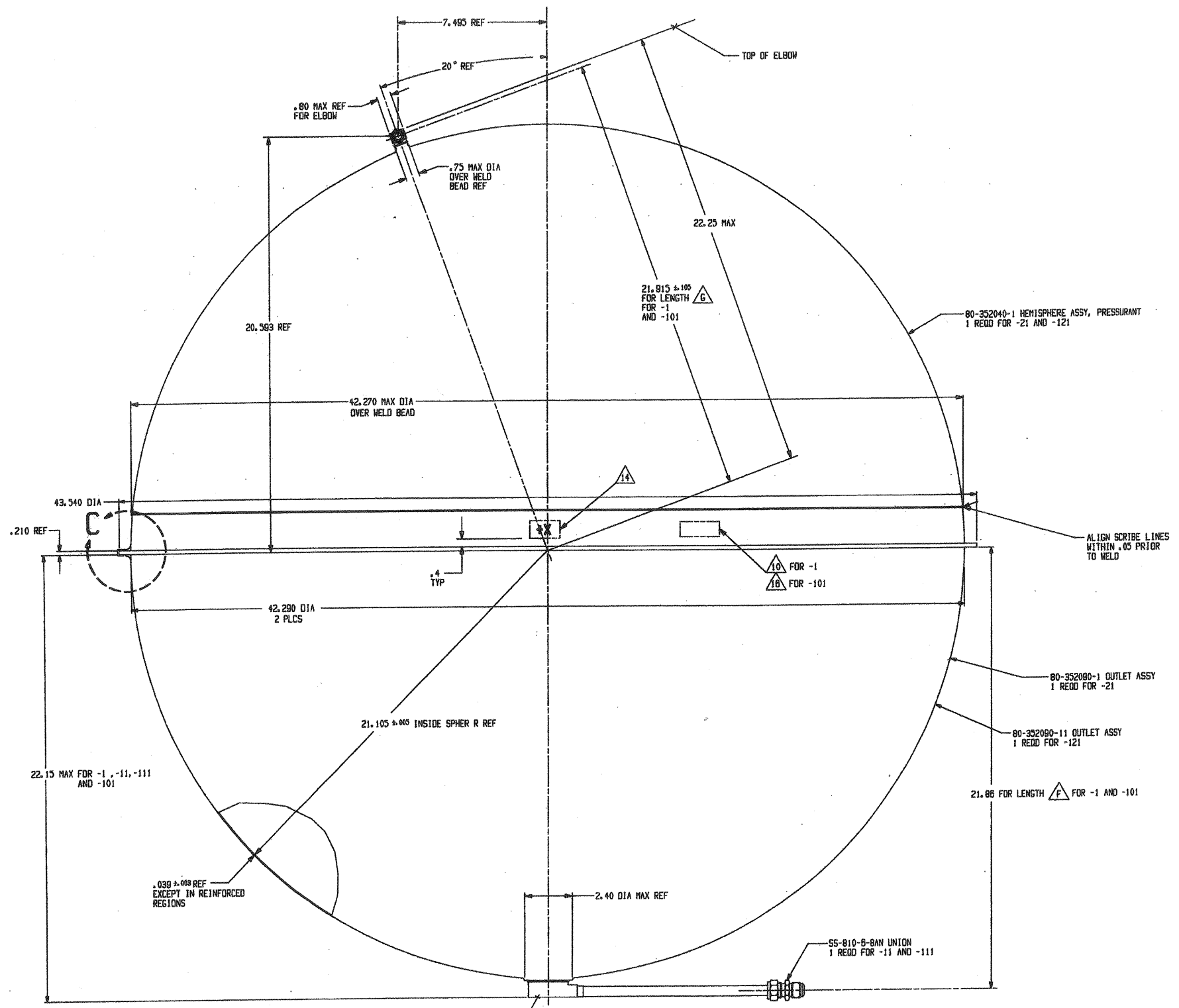
DETAIL B  
FOR -1  
AND -101

-1 AND -101 CONFIGURATIONS  
INACTIVE FOR PROCUREMENT

A SHEET 2

A SHEET 2

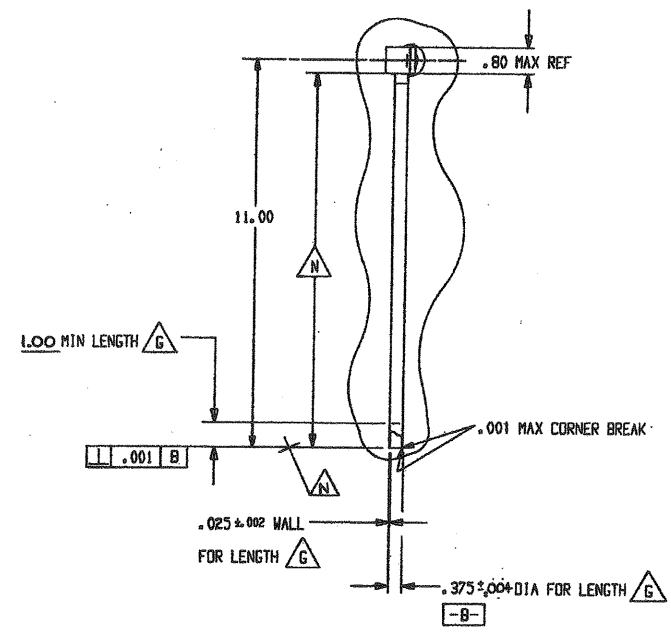
Pressure Systems, Inc. LOS ANGELES, CALIFORNIA			
TANK ASSY, BI-PROPELLANT			
CODE LIBRY NO.	SIZE	REV.	
18229	E	80352	D
SCALE 1/2	SHEET 1 OF 4		



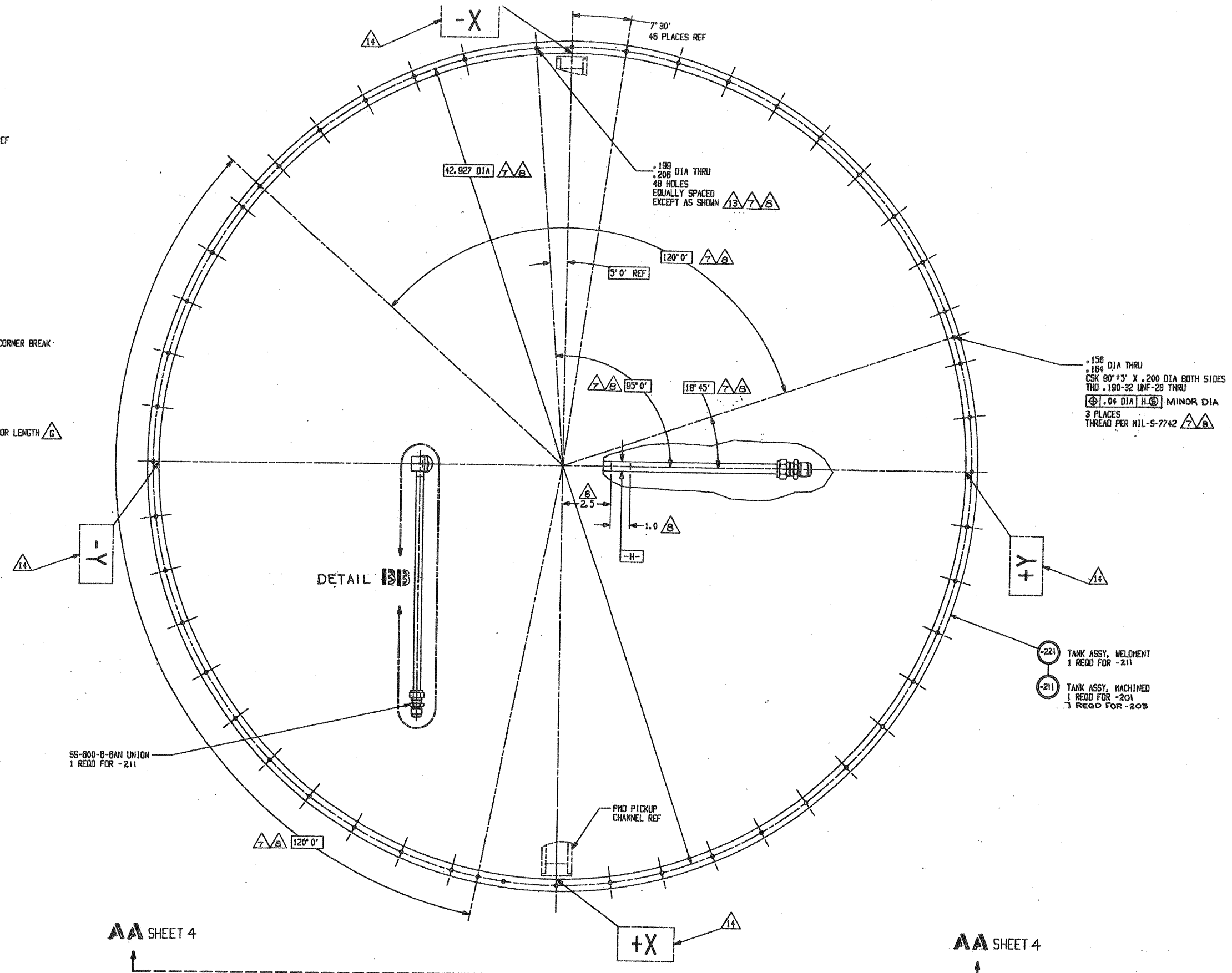
Pressure Systems, Inc.  
LOS ANGELES, CALIFORNIA

TANK ASSY, BI-PROPELLANT

DATE	18229	SIZE	E	REV	80352	REV	C
------	-------	------	---	-----	-------	-----	---



DETAIL B  
 FOR -201, -203

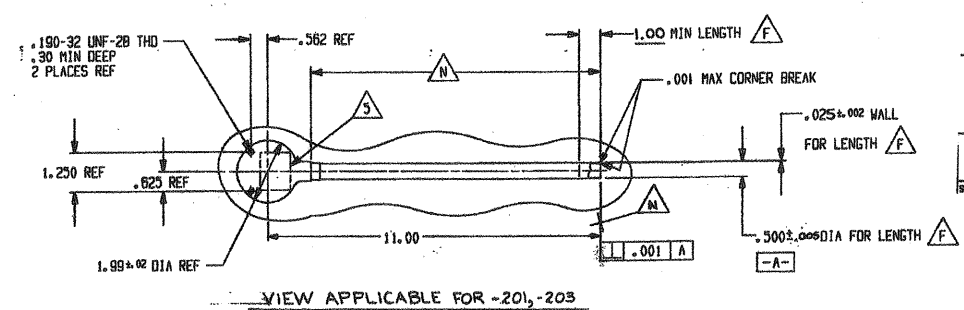
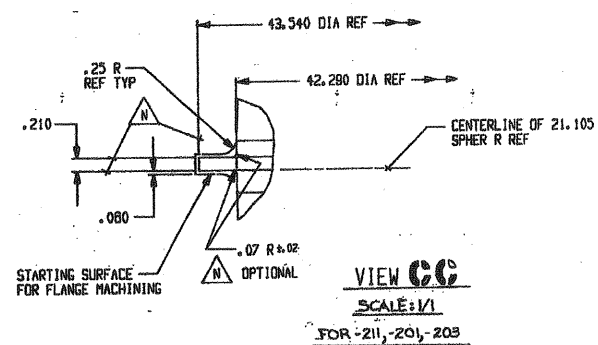
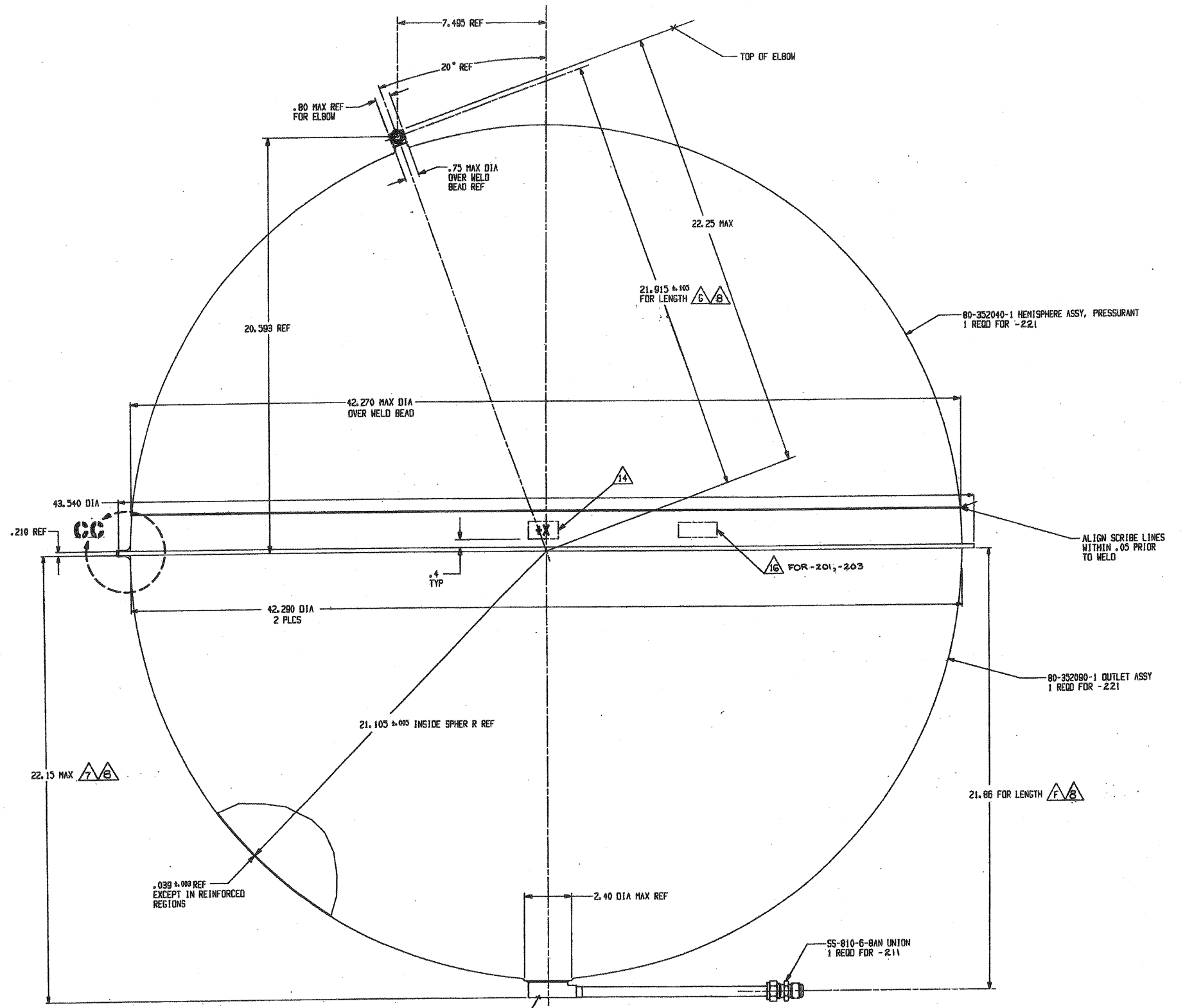


- (-221) TANK ASSY, WELDMENT  
1 REQD FOR -211
- (-211) TANK ASSY, MACHINED  
1 REQD FOR -201  
1 REQD FOR -203

AA SHEET 4

AA SHEET 4

Pressure Systems, Inc. LOS ANGELES, CALIFORNIA			
TANK ASSY, OXIDIZER			
CODE IDENT NO.	SIZE	REV.	
18229	E	80352	NC



Pressure Systems, Inc.  
LOS ANGELES, CALIFORNIA

**TANK ASSY, OXIDIZER**

CODE IDENT NO.	REV	REV
18229	E	80352
SCALE 1/2	DRAWN	4 OF 4

REV NC