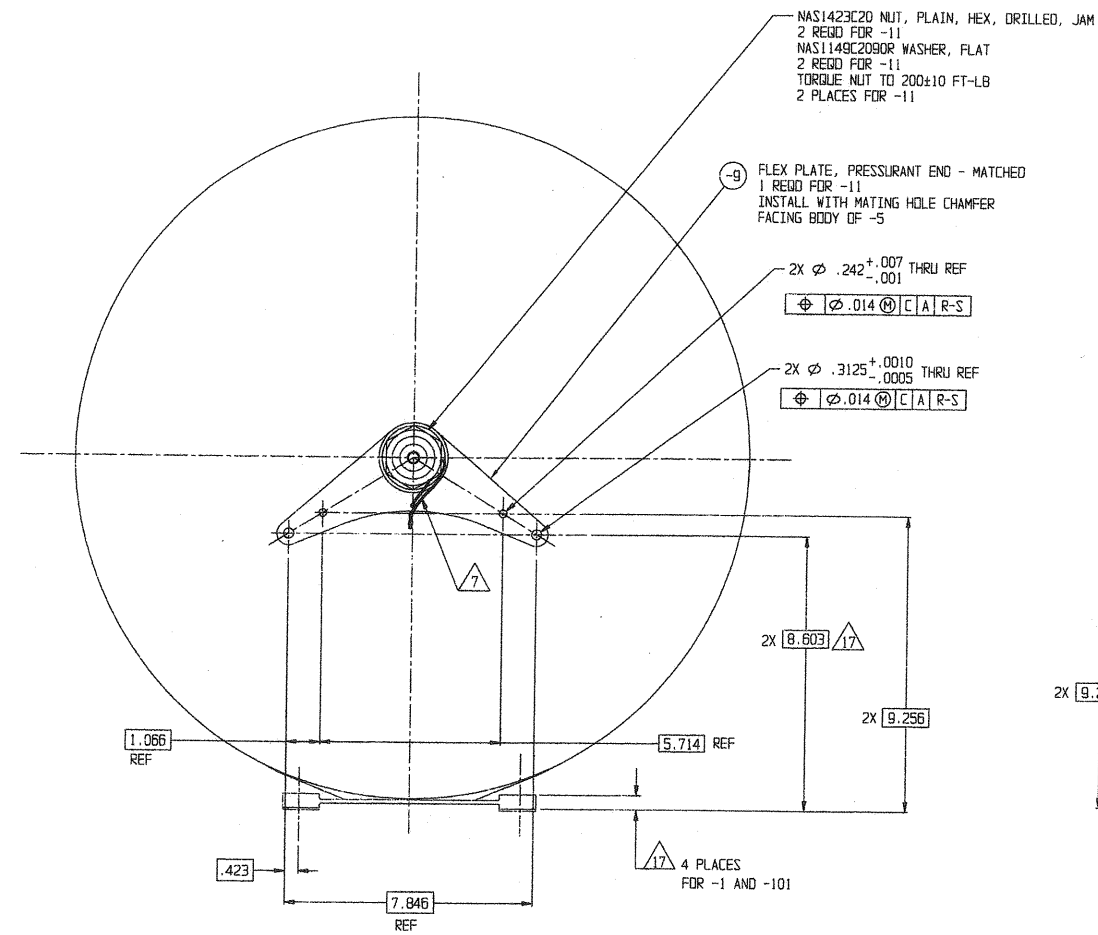


**ATK SPACE SYSTEMS, INC.**  
 COMMERCE, CALIFORNIA

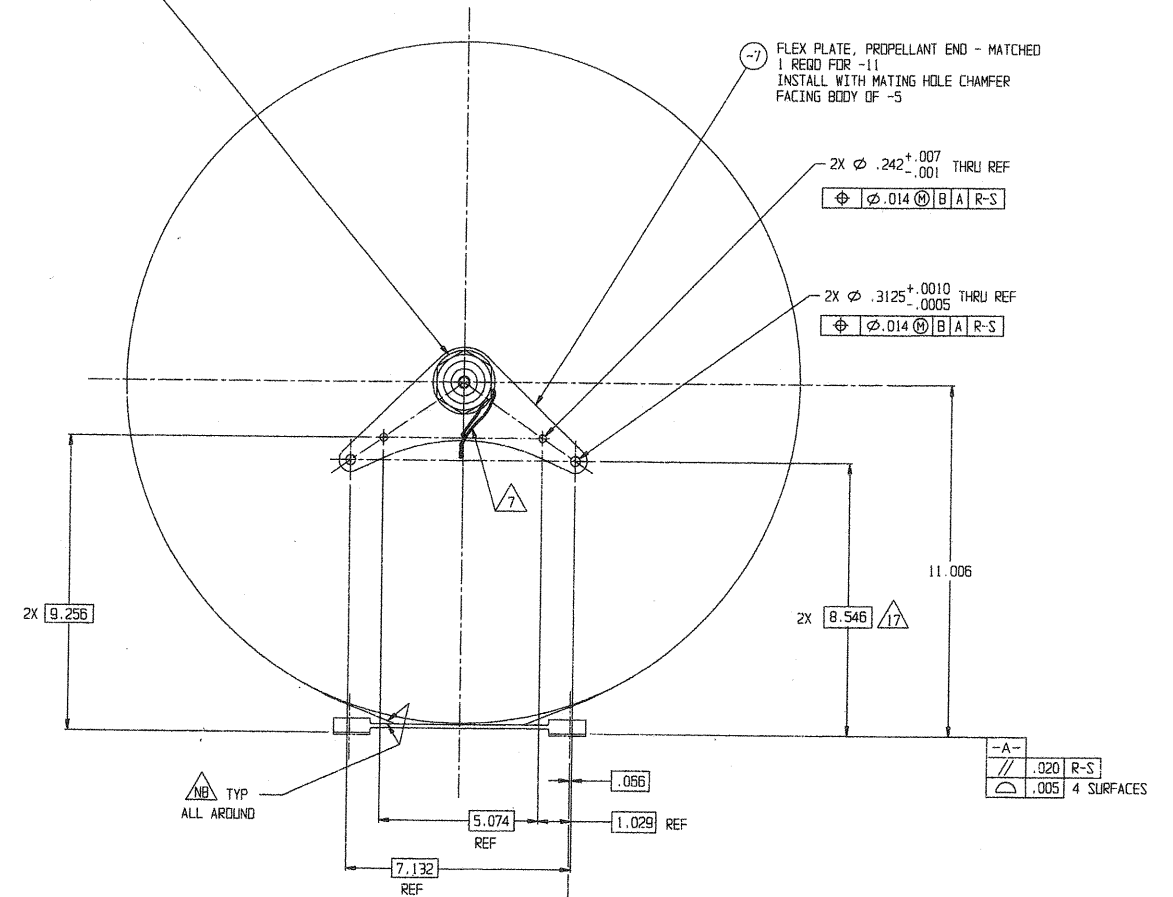
PROPELLANT TANK ASSY,  
 OXIDIZER-P47

CAGE CODE	SIZE	ENG. NO.	REV.
18229	E	80406	E

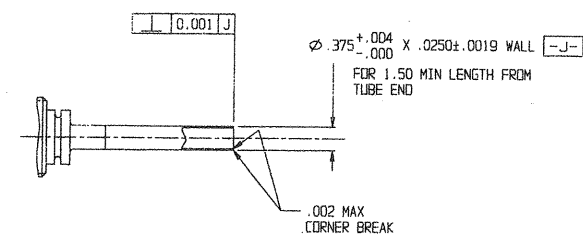
SCALE: 1/2 SHEET 1 OF 3



VIEW Y-Y SHEET 1



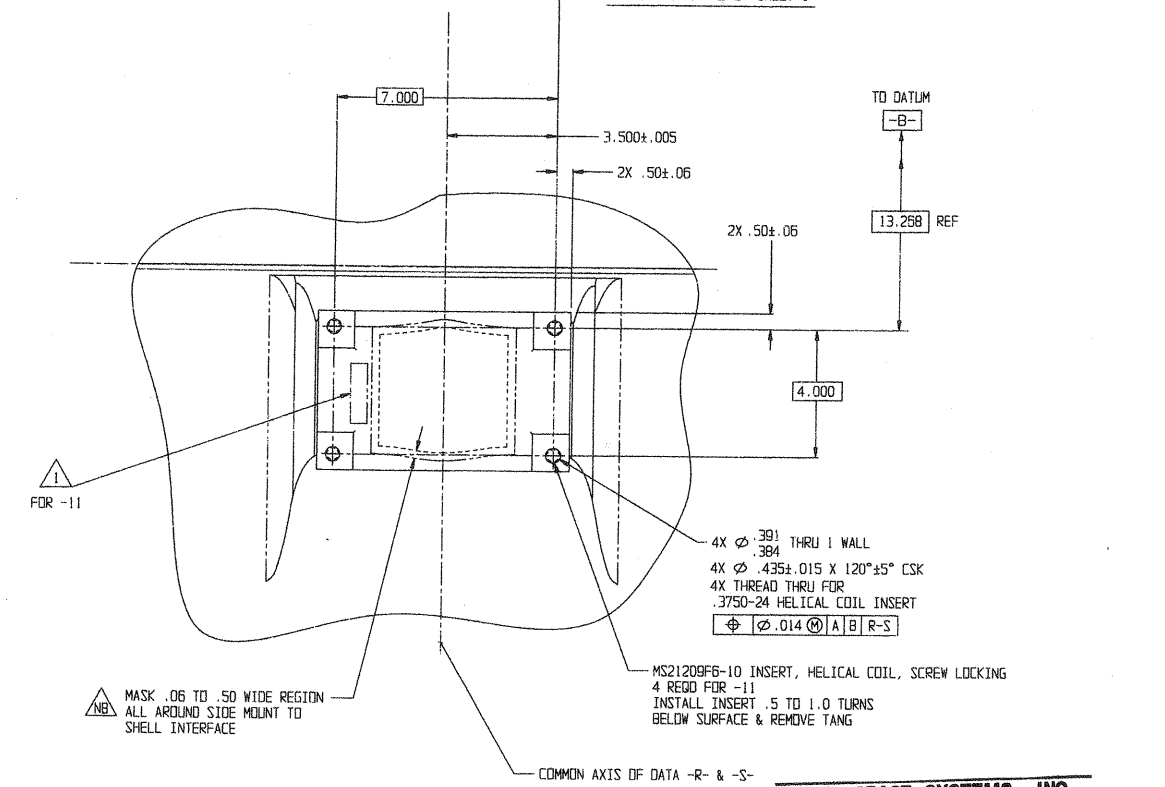
VIEW X-X SHEET 1



VIEW E SHOWN FOR -1 AND -101 SHEET 1

VIEW F OPPOSITE FOR -1 AND -101 SHEET 1

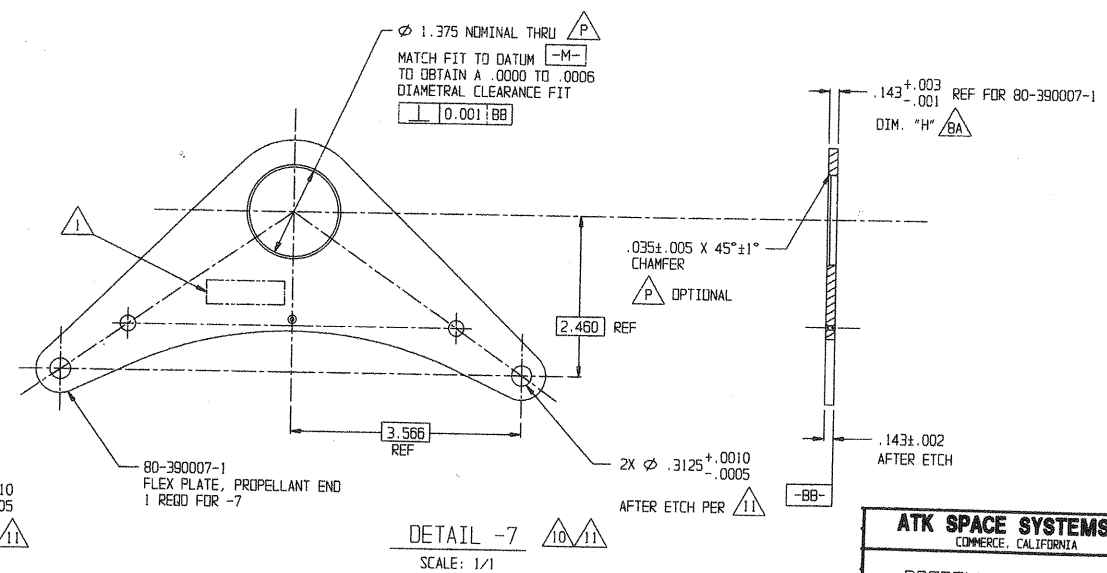
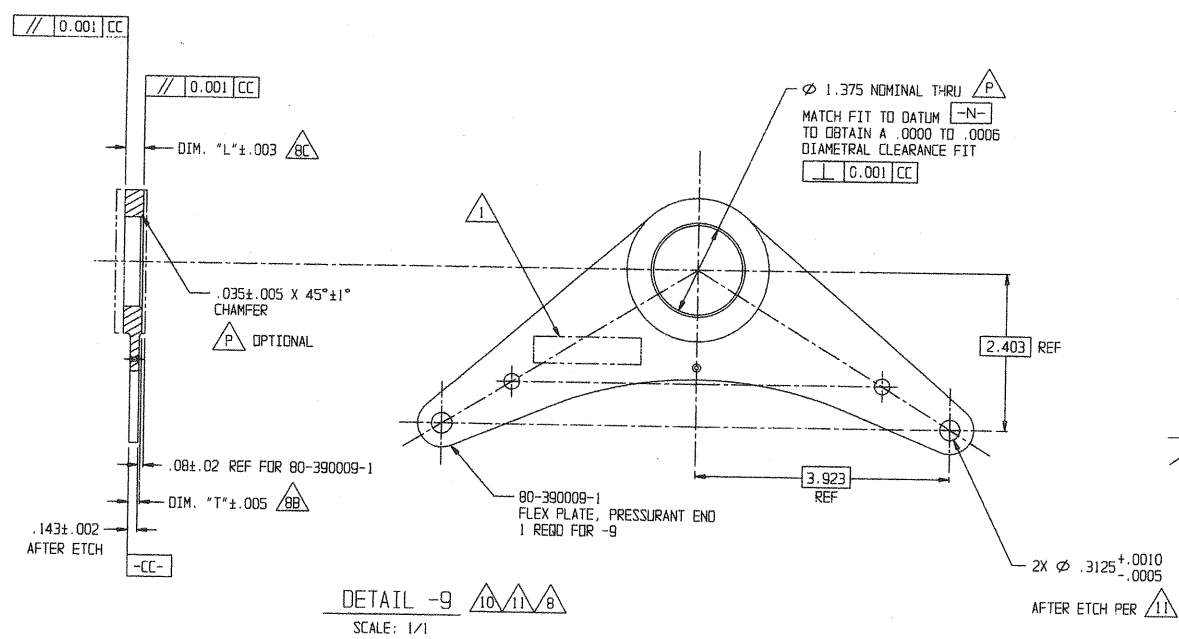
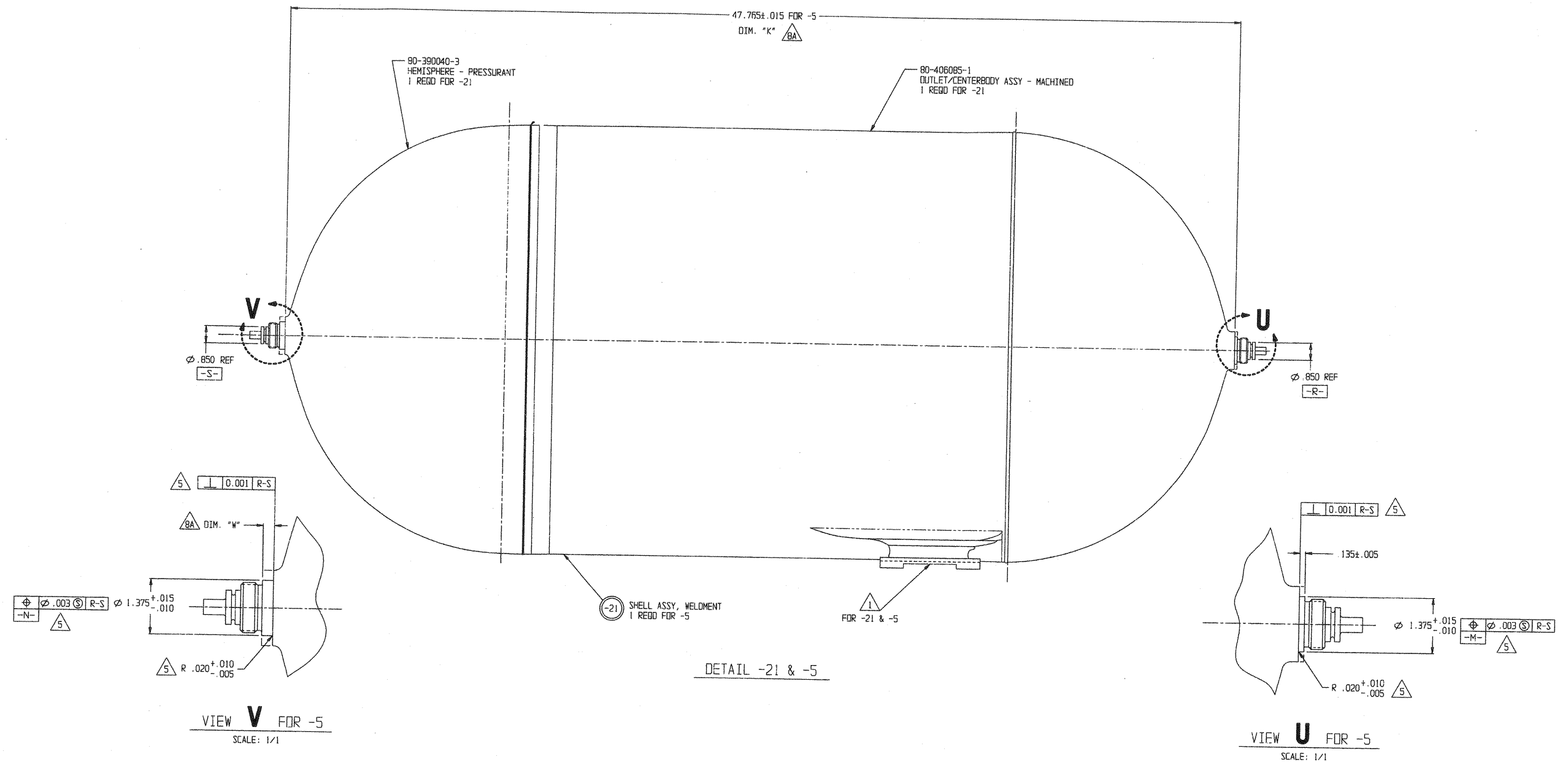
SCALE: 1/1



ATK SPACE SYSTEMS, INC.  
COMMERCE, CALIFORNIA

PROPELLANT TANK ASSY,  
OXIDIZER-P47

CAGE CODE	SIZE	ENG. NO.	REV.
18229	E	80406	C
SCALE: 1/2	SHEET		2 OF 3



<b>ATK SPACE SYSTEMS, INC.</b> COMMERCE, CALIFORNIA			
PROPELLANT TANK ASSY, OXIDIZER-P47			
CAGE CODE	SIZE	DWG NO.	REV.
18229	E	80406	B
SCALE: 1/2	SHEET	3 OF 3	