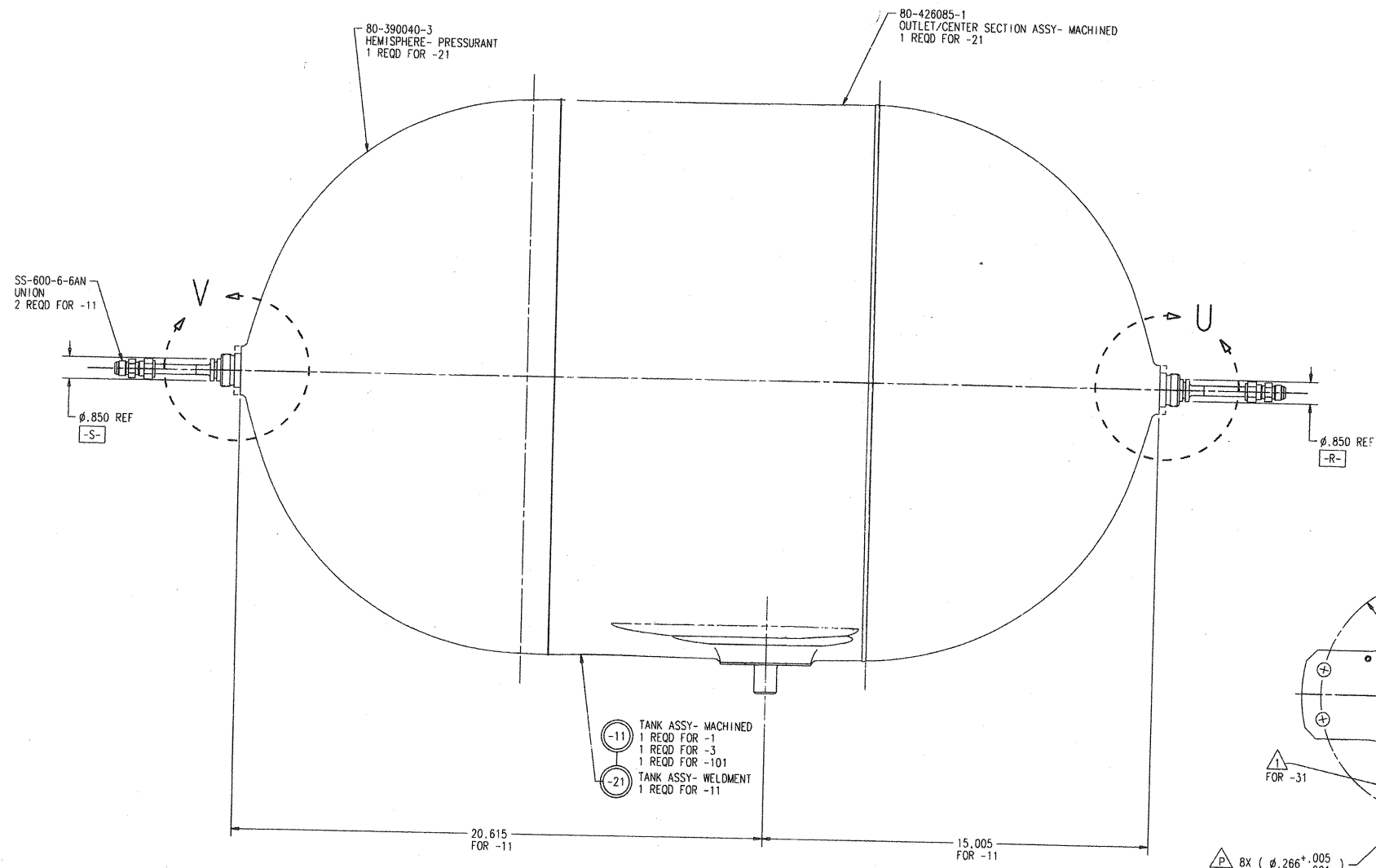
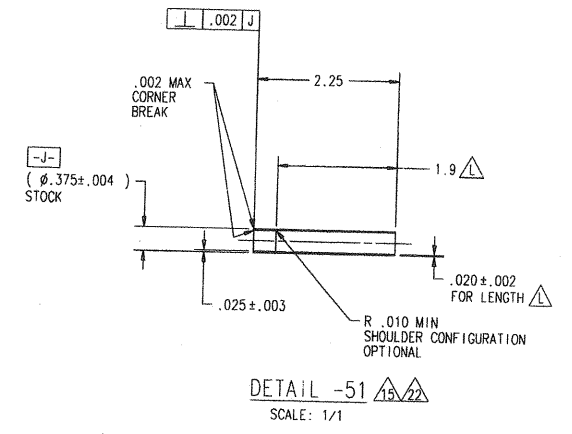


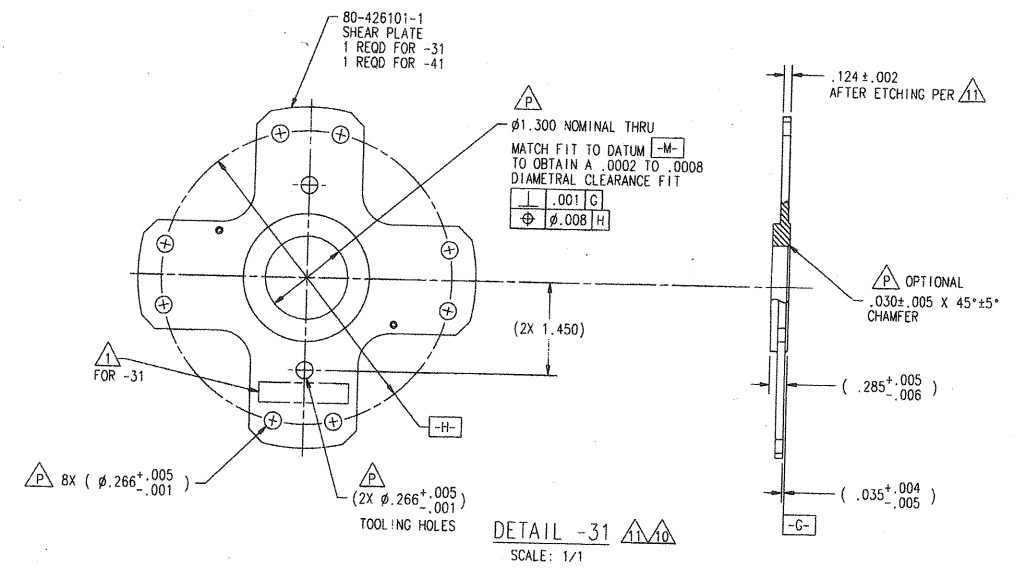
PRESSURE SYSTEMS, INC. LOS ANGELES, CALIFORNIA			
PROPELLANT TANK ASSY- OXIDIZER			
DWG CODE	SIZE	DWG NO.	REV.
18229	E	80426	D
SCALE: 1/2	SHEET		1 OF 2



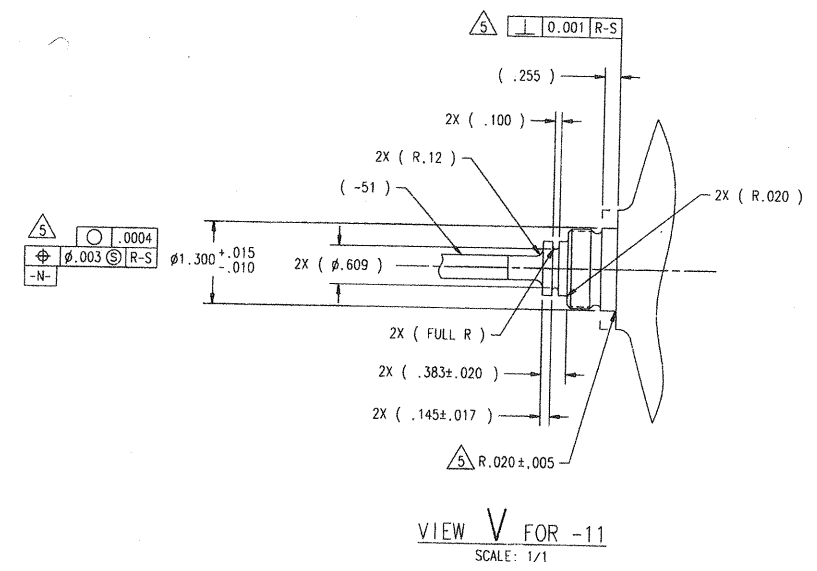
DETAIL -11 & -21



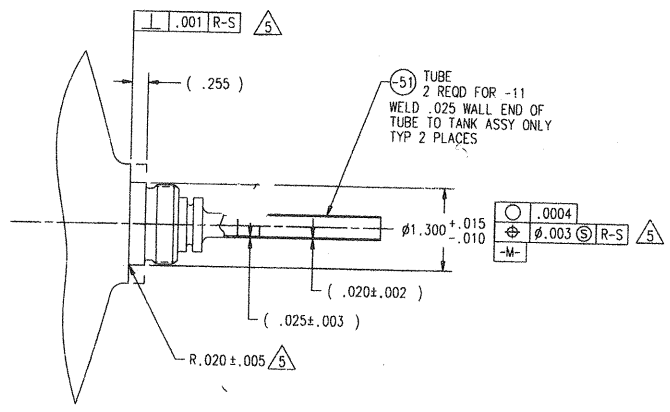
DETAIL -51
SCALE: 1/1



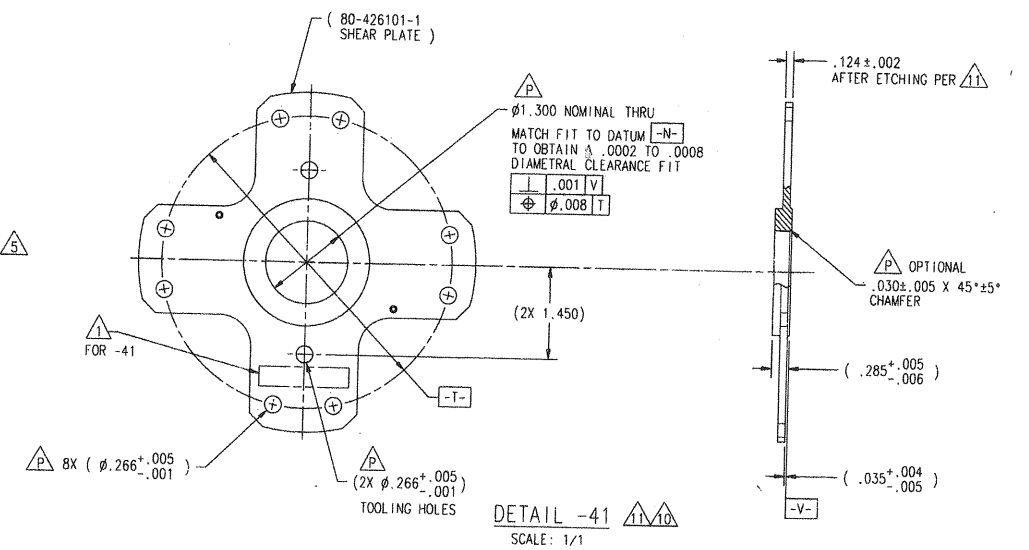
DETAIL -31
SCALE: 1/1



VIEW V FOR -11
SCALE: 1/1



VIEW U FOR -11
SS-600-6-6AN FITTING OMITTED FOR CLARITY
SCALE: 1/1



DETAIL -41
SCALE: 1/1