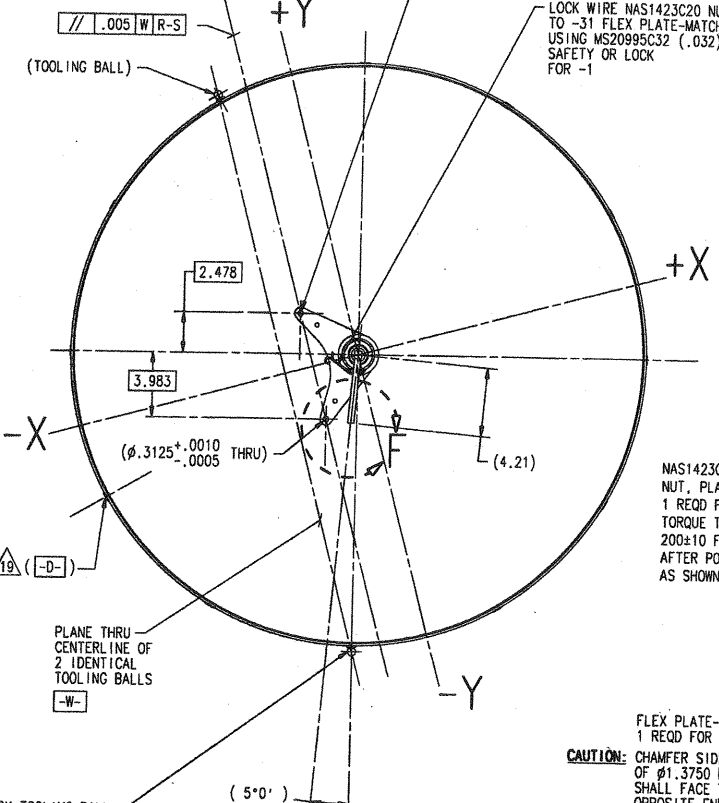
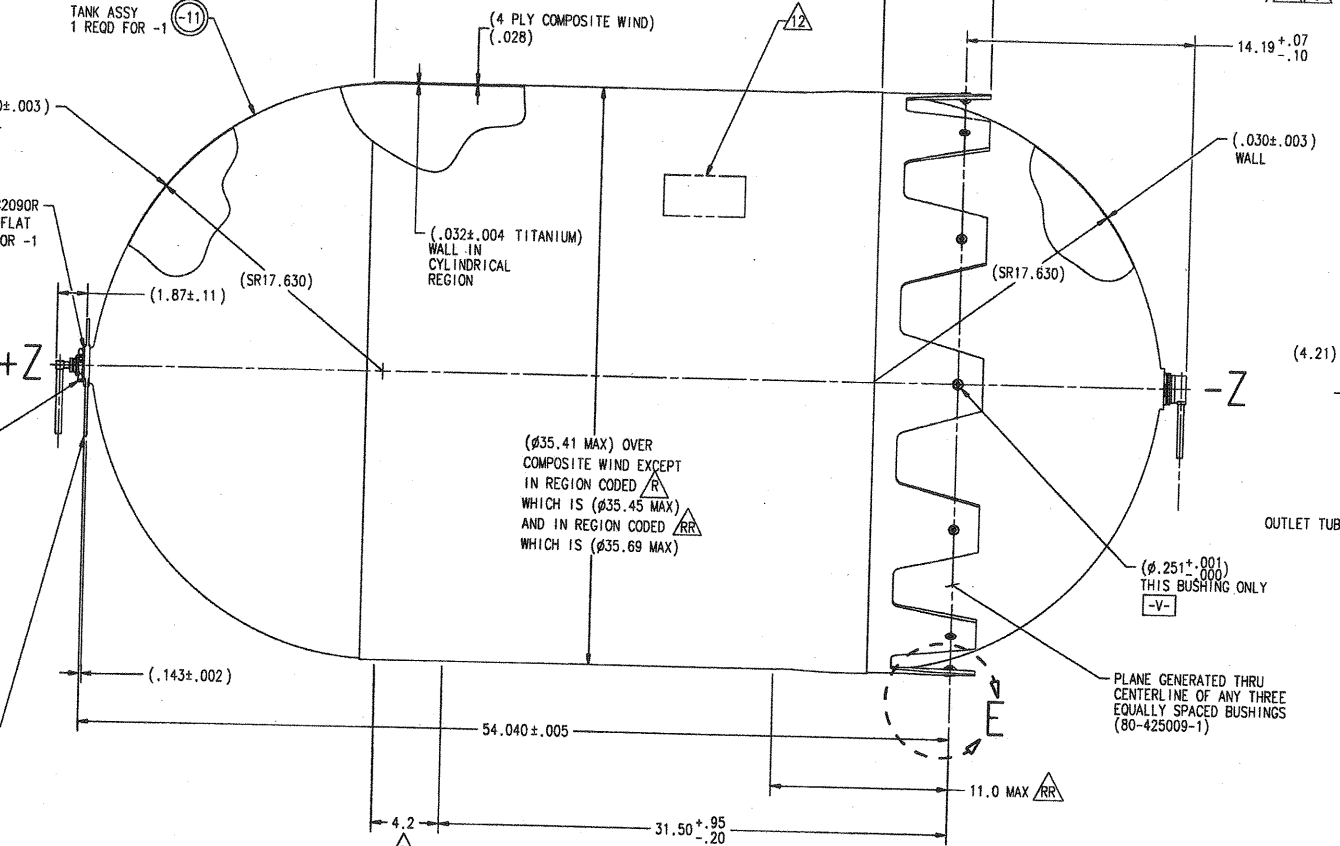


BOTH  $\phi.3125^{+.0010}_{-.0005}$  THRU HOLES IN -31 FLEX PLATE

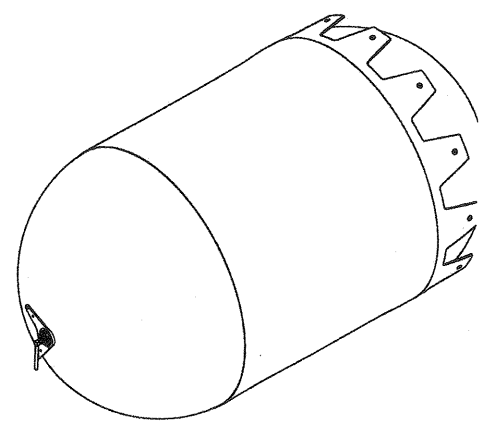
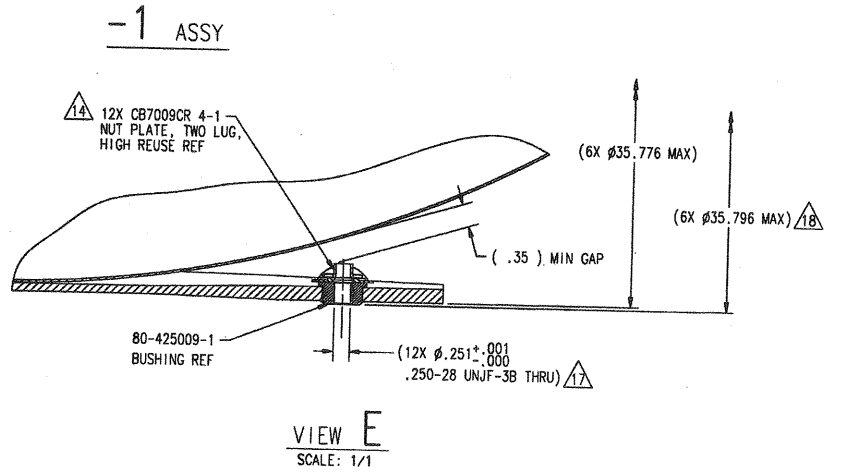
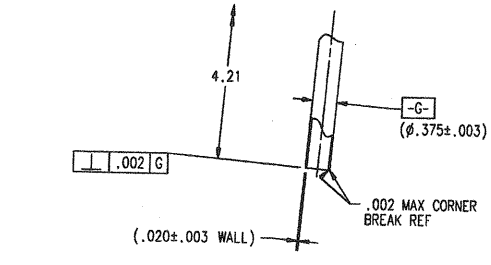


$\Psi \phi.014 \Psi \text{V|R-S}$   
 2 PLACES

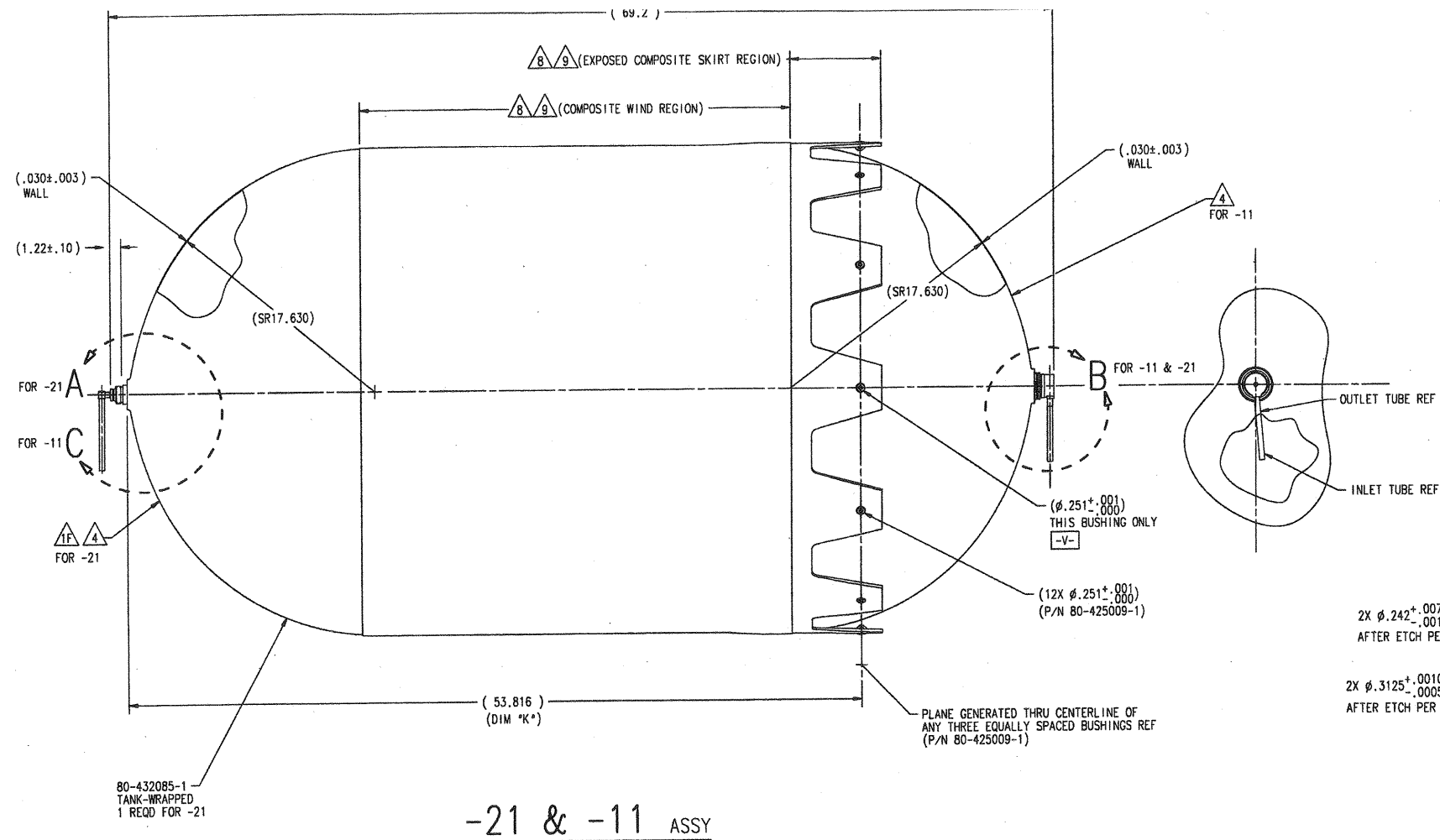
LOCK WIRE NAS1423C20 NUT, PLAIN TO -31 FLEX PLATE-MATCHED USING MS20995C32 (.032) WIRE, SAFETY OR LOCK FOR -1



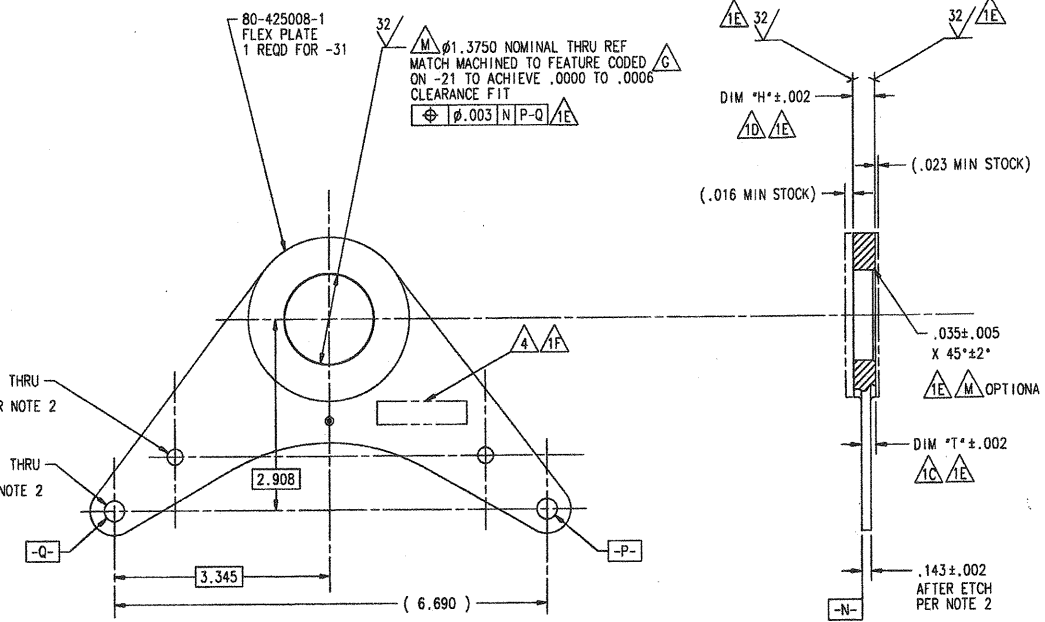
CAUTION: CHAMFER SIDE OF  $\phi$ 1.3750 BORE SHALL FACE TOWARDS OPPOSITE END OF TANK



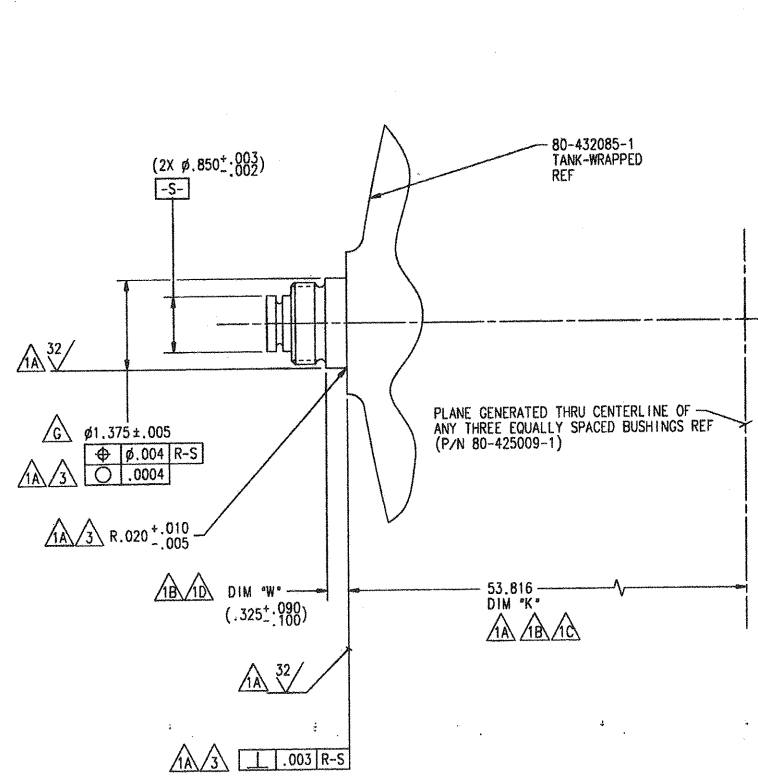
PRESSURE SYSTEMS, INC.  
 LOS ANGELES, CALIFORNIA  
 PROPELLANT TANK ASSY-HYDRAZINE  
 CASE CODE: 18229 E  
 SIZE: E  
 DOC NO.: 80432  
 REV.: A  
 SCALE: 1/4 & NOTED SHEET 1 OF 4



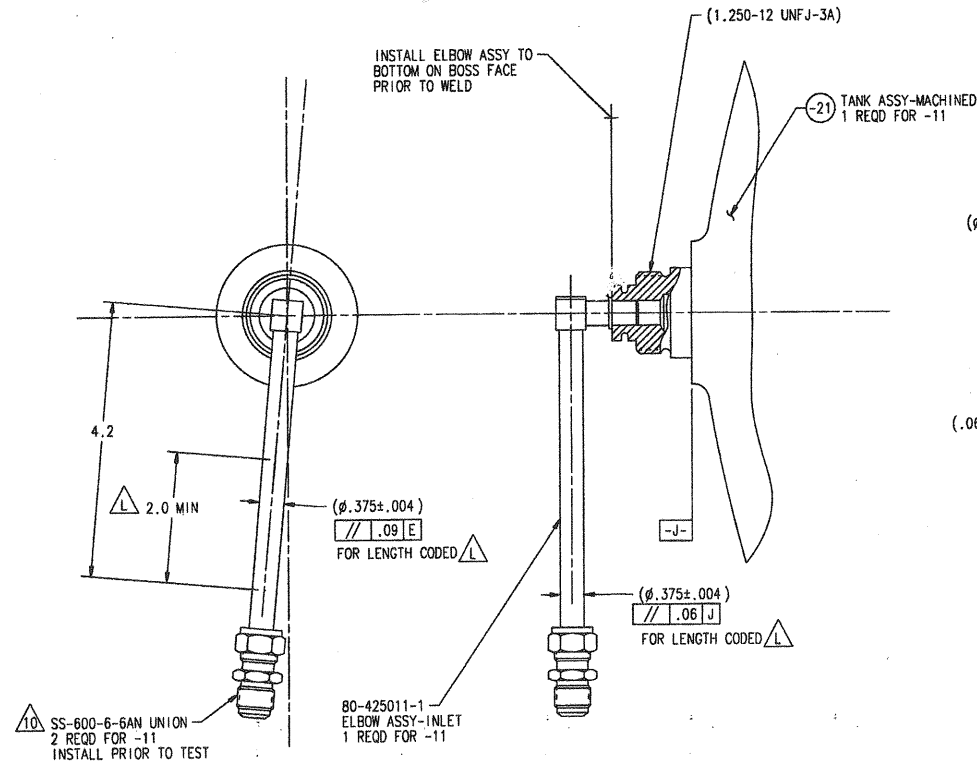
-21 & -11 ASSY



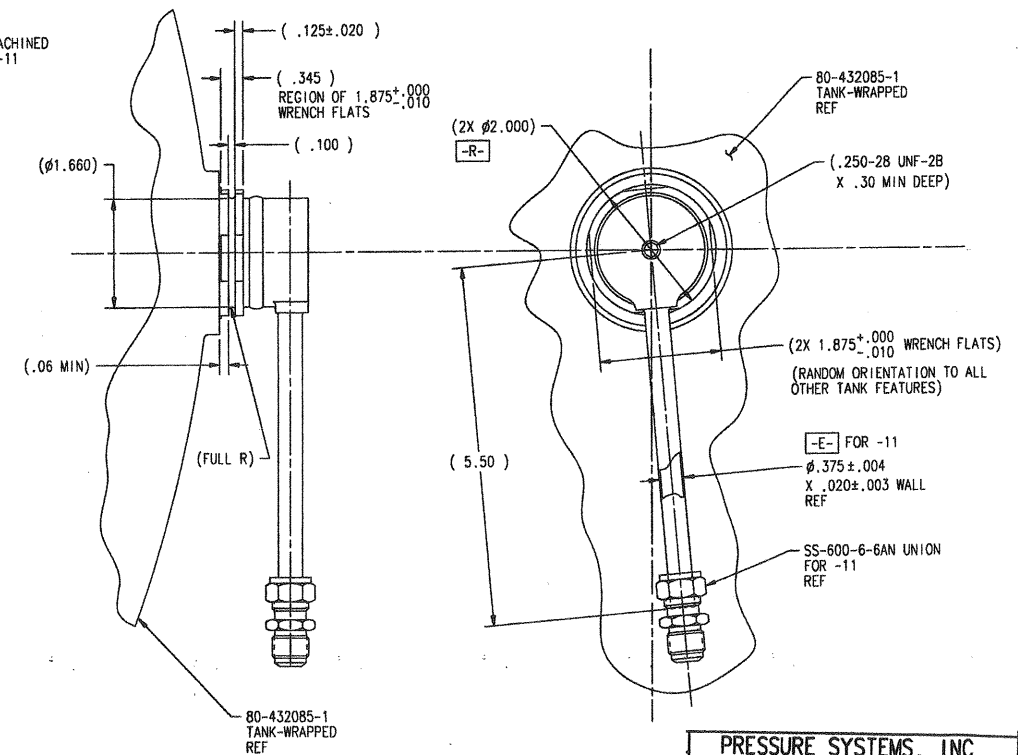
DETAIL -31  
 SCALE: 1/1



VIEW A  
 SCALE: 1/1



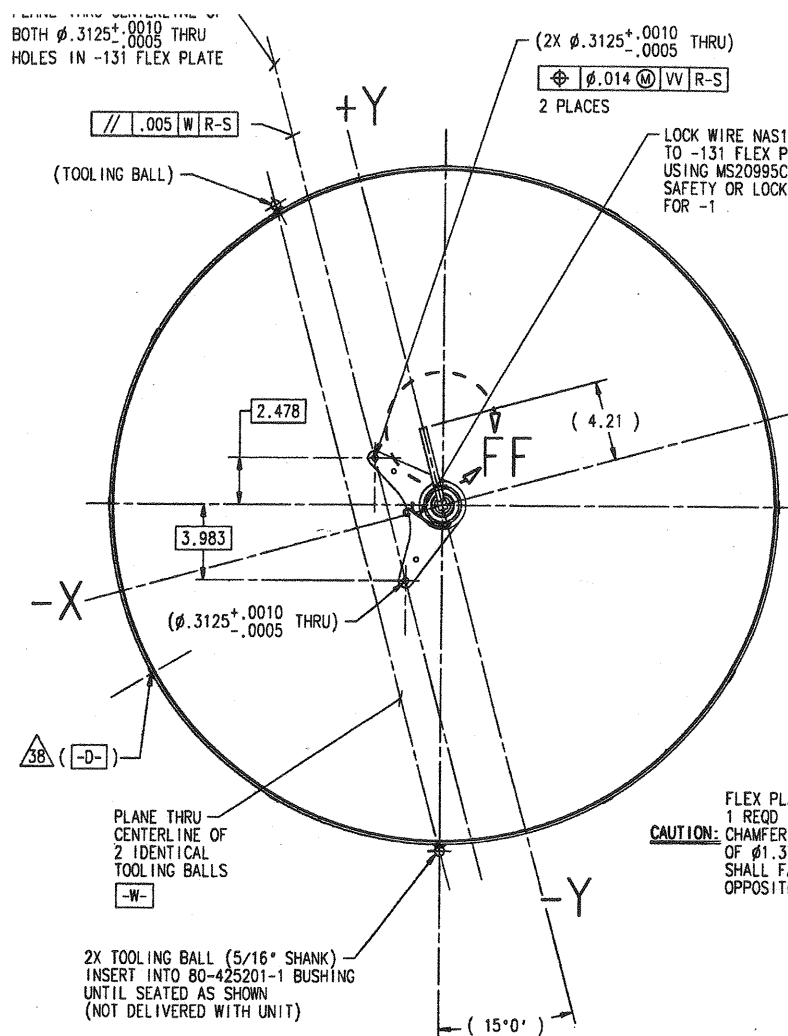
VIEW C  
 SCALE: 1/1



VIEW B  
 SCALE: 1/1

PRESSURE SYSTEMS, INC. LOS ANGELES, CALIFORNIA			
PROPELLANT TANK ASSY-HYDRAZINE			
CAGE CODE 18229	SHEET E	DRG NO. 80432	REV. A
SCALE: 1/4 & NOTED			SHEET 2 OF 4

BOOTH  $\phi$ .3125<sup>+</sup>.0010 THRU  
HOLES IN -131 FLEX PLATE



TANK ASSY  
1 REQD FOR -101

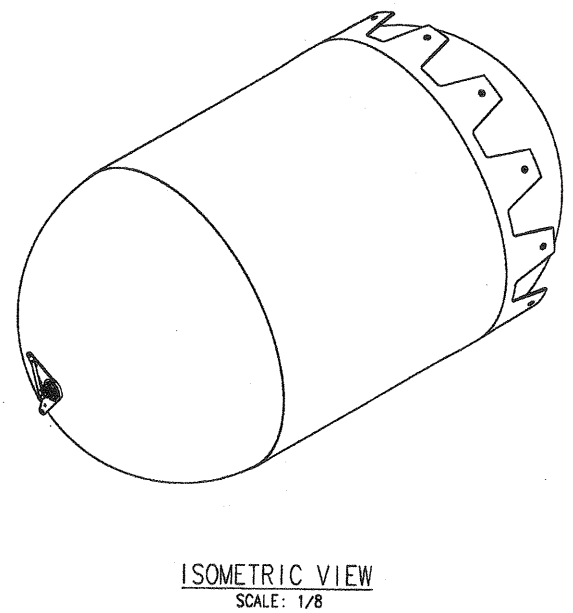
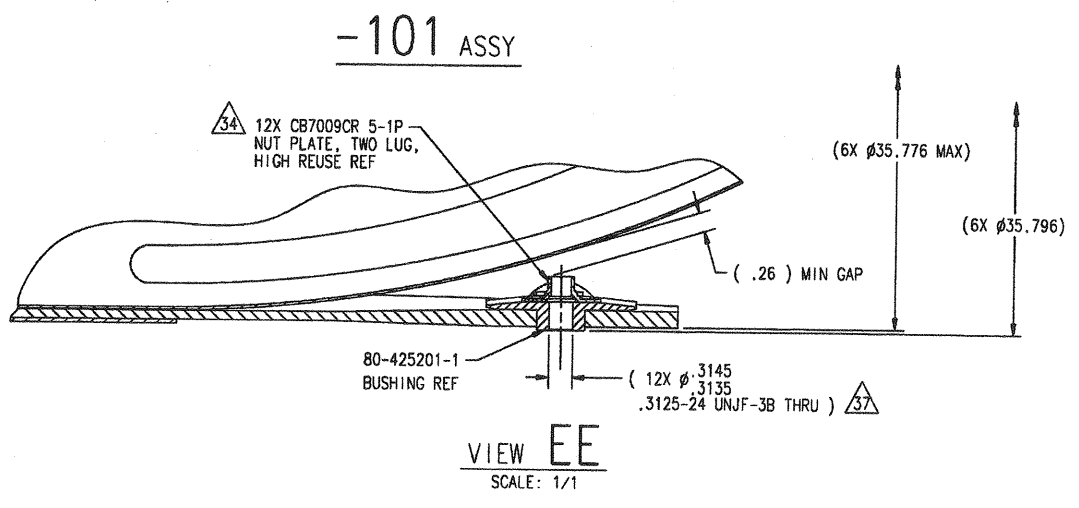
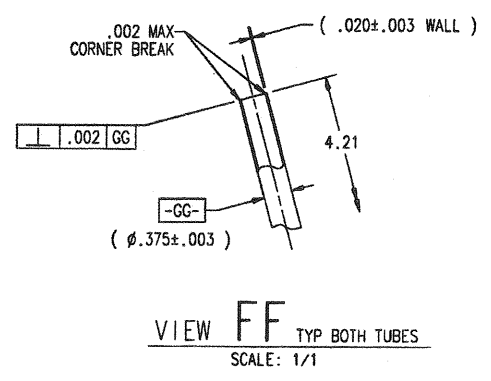
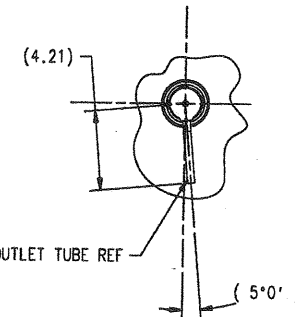
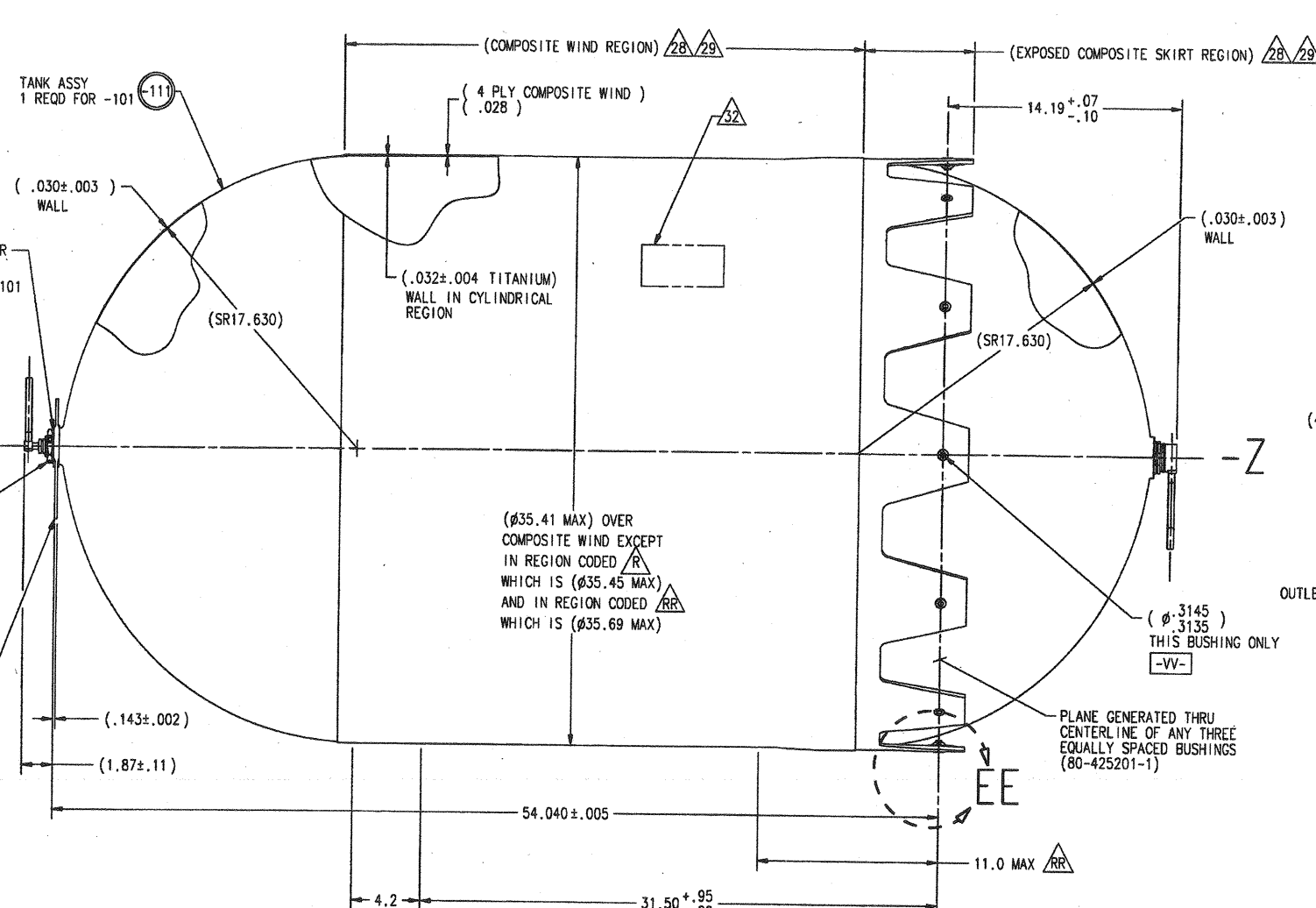
(.030 $\pm$ .003) WALL

NAS1149C2090R WASHER, FLAT  
1 REQD FOR -101

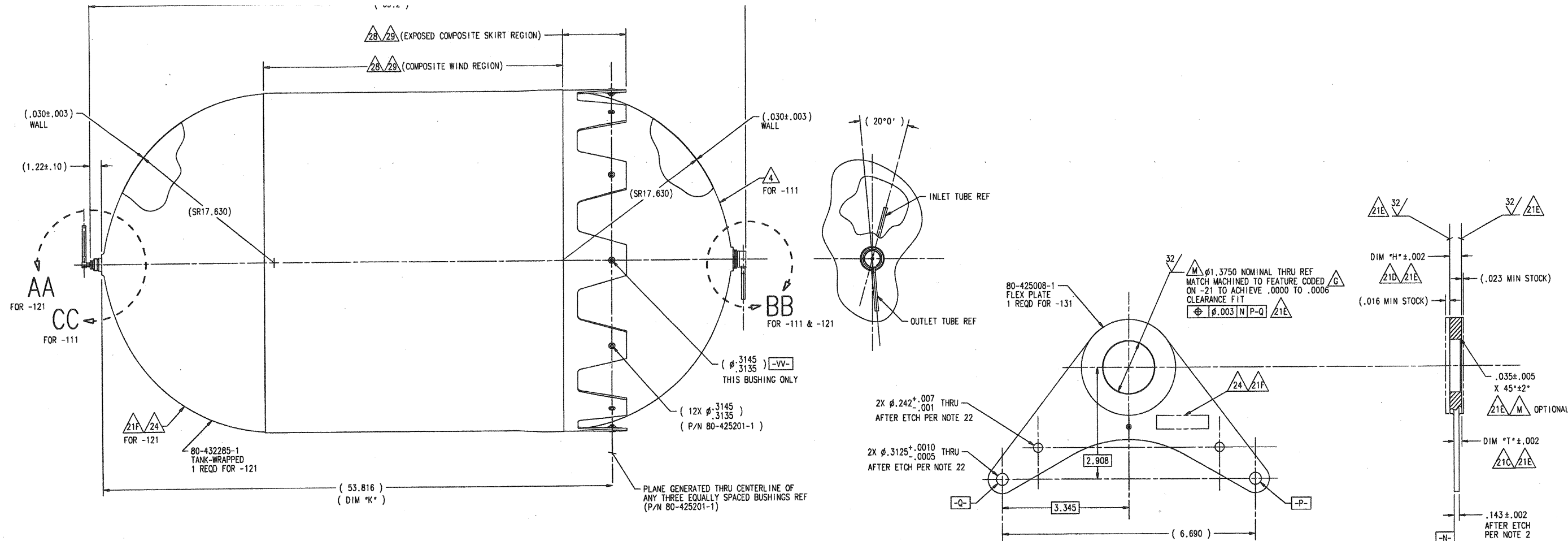
NAS1423C20 NUT, PLAIN  
1 REQD FOR -101  
TORQUE TO 200 $\pm$ 10 FT-LBS AFTER POSITIONING AS SHOWN

FLEX PLATE-MATCHED  
1 REQD FOR -101  
CAUTION: CHAMFER SIDE OF  $\phi$ 1.3750 BORE SHALL FACE TOWARDS OPPOSITE END OF TANK

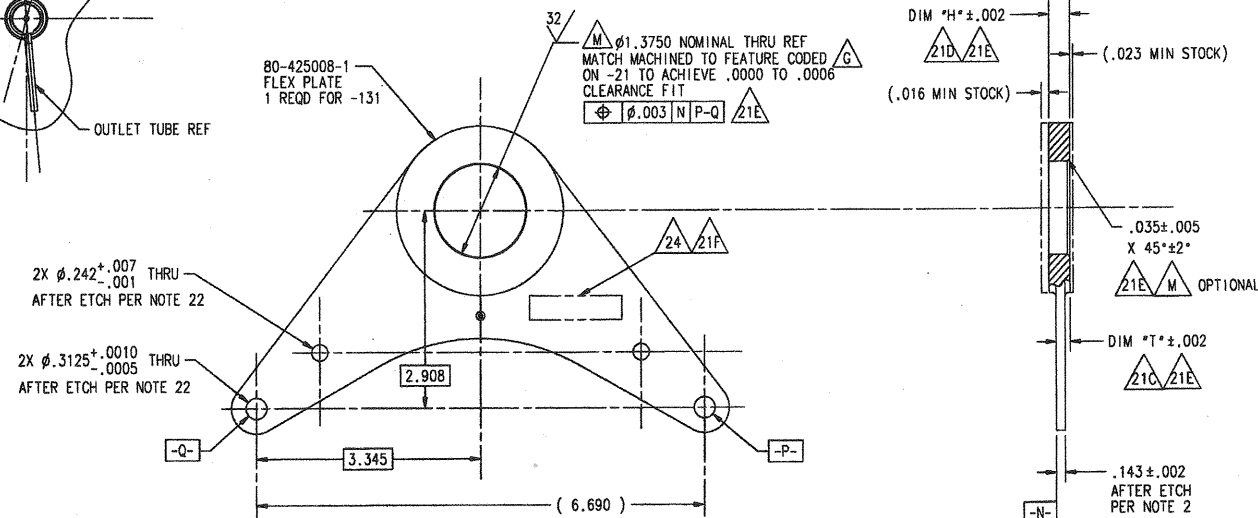
(-131)



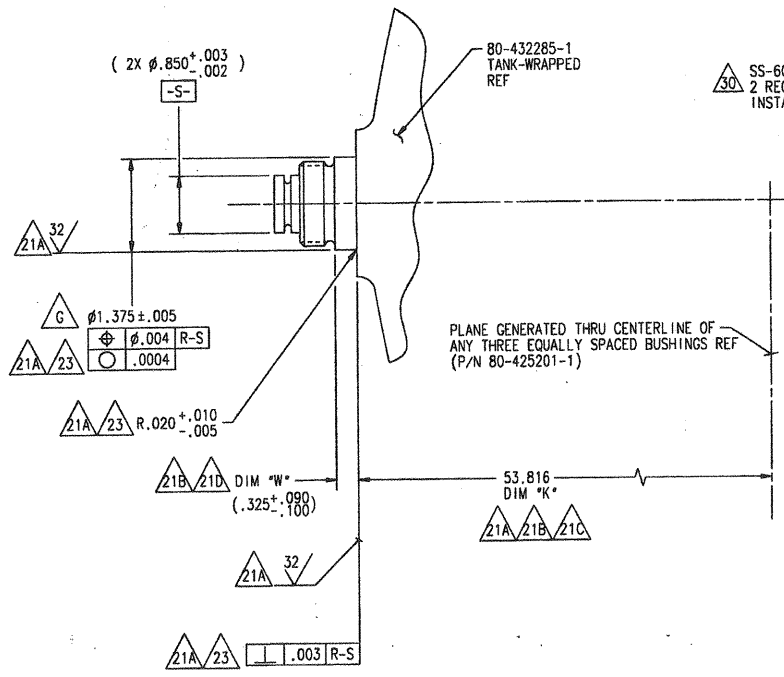
PRESSURE SYSTEMS, INC. LOS ANGELES, CALIFORNIA			
PROPELLANT TANK ASSY-HYDRAZINE			
CAGE CODE 18229	SIZE E	DWG NO. 80432	REV. NC
SCALE: 1/4 & NOTED			SHEET 3 OF 4



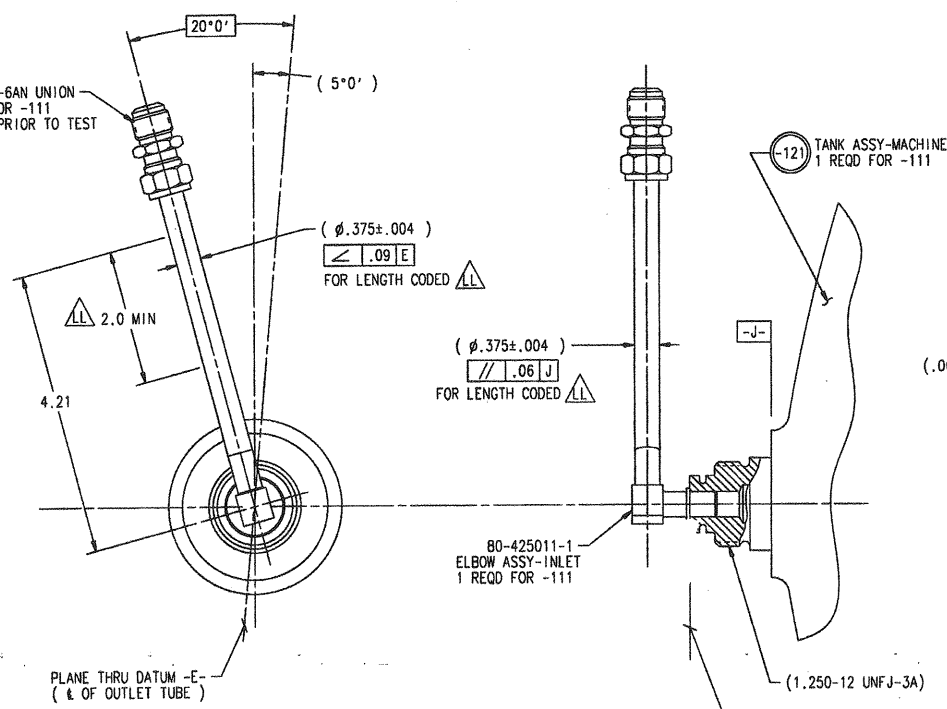
**-121 & -111 ASSY**



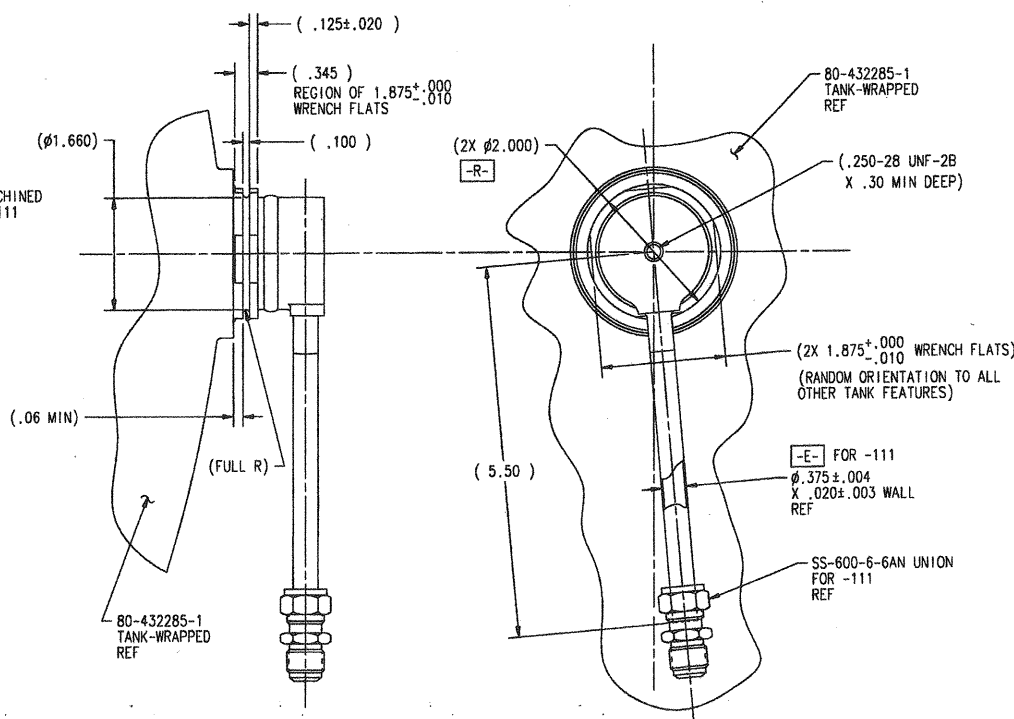
**DETAIL -131**  
SCALE: 1/1



**VIEW AA**  
SCALE: 1/1



**VIEW CC**  
SCALE: 1/1



**VIEW BB**  
SCALE: 1/1

<b>PRESSURE SYSTEMS, INC.</b> LOS ANGELES, CALIFORNIA			
<b>PROPELLANT TANK ASSY-HYDRAZINE</b>			
CAGE CODE	SIZE	QTY NO.	REV.
18229	E	80432	NC
SCALE: 1/4 & NOTED			SHEET 4 OF 4