

GAU-23

30mm Bushmaster®
Chain Gun®

Northrop Grumman's Medium caliber cannons boast unrivaled reliability and effectiveness. When paired with our exceptional training services, certified accessories, and OEM warranties, Northrop Grumman delivers best-in-class value and a guarantee of optimal performance. No matter what your mission critical objectives are; combat, peacekeeping, or training; we offer the necessary services to maintain your weapons systems at a fully mission capable rating and the ability to consistently sustain and optimize your fleet.

Guns Segment Market

The Gun Systems Market Segment exists to meet the ever changing demands of the warfighter through innovation in technology, program execution, lifecycle cost, and product delivery. The guns team is committed to becoming the undeniable global leader in medium caliber gun systems support, an agile competitor and respected worldwide as a preeminently responsive partner.

Facts At A Glance

Aircraft version of 30 mm Mk44 Cannon

Arms the U.S. Air Force AC-130J Ghost rider and U.S. Marine Corps Harvest Hawk (through an instant gunship configuration of KC-130J tankers)

Provides extreme accuracy and effectiveness when paired with Northrop Grumman's PGU 46/B High Explosive Incendiary cartridge that features the company's low drag fuze

Common Logistics, operation, and maintenance with Mk44

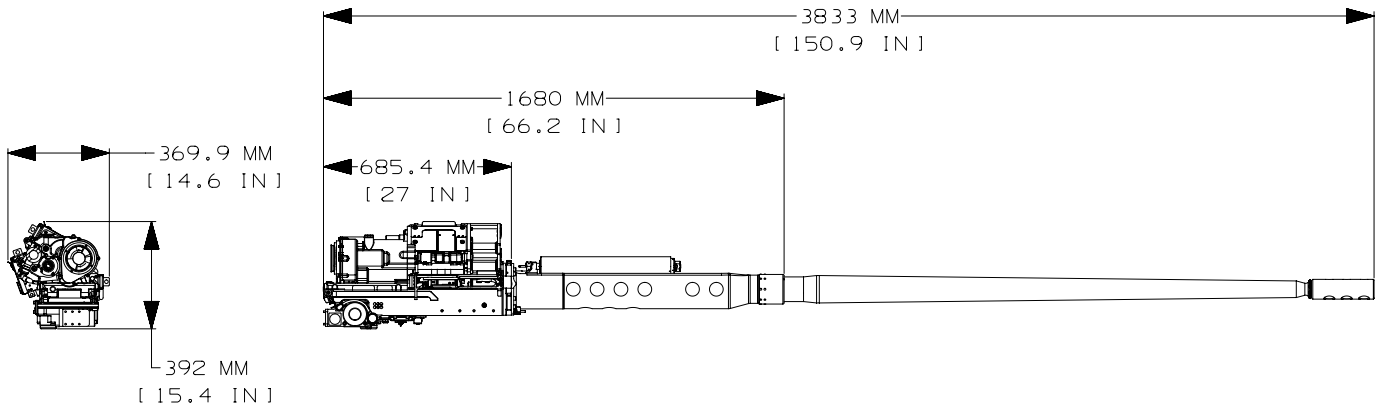
Integrated on the PaWS (Palletized Weapon System) Roll On/Roll Off (RORO) pallet

Reliability, safety, low life cycle costs

Dual feed system

Automatic Cannon

Bushmaster® 30mm GAU-23 Chain Gun® is a derivative of the combat proven Mk44 Bushmaster® automatic cannon. What's more, it incorporates all of the battle-proven features of the 25 mm Bushmaster® cannon, with significant system commonality for low-risk, proven performance features.



Characteristics

	Imperial	Metric
Recoil (30 mm ammo)	8,000 lb	35,586 N
Weight*		
Receiver	124 lb	56.2 kg
Feeder	69 lb	31.3 kg
Barrel	257 lb	116.7 kg
Total	450 lb	204.2 kg
Rate of Fire	Single shot, Burst, Full automatic @ 200 SPM	
Power Requirement	1.0 HP @ 24 VDC	
Clearing Method	Open bolt	
Safety	Anti-hangfire safety	
Case Ejection	Side	