



M230LF

30mm Bushmaster®
Chain Gun®

Northrop Grumman's Medium caliber cannons boast unrivaled reliability and effectiveness. When paired with our exceptional training services, certified accessories, and OEM warranties, Northrop Grumman delivers best-in-class value and a guarantee of optimal performance. No matter what your mission critical objectives are; combat, peacekeeping, or training; we offer the necessary services to maintain your weapons systems at a fully mission capable rating and the ability to consistently sustain and optimize your fleet.

Guns Segment Market

The Gun Systems Market Segment exists to meet the ever changing demands of the warfighter through innovation in technology, program execution, lifecycle cost, and product delivery. The guns team is committed to becoming the undeniable global leader in medium caliber gun systems support, an agile competitor and respected worldwide as a preeminently responsive partner.

Facts At A Glance

- Proven technology based on M230 gun for the Apache attack helicopter
- Easily integrated into remote weapons stations for land, air and sea combat platforms
- Effective, lightweight, and easy to maintain
- Reliability of 22,000 mean rounds between failure
- Fires M789 HEDP, M788 TP and NATO standard 30mm ADEN/DEFA ammunition
- Multi-role, multi-target system capability
- Electronic round counting capability
- Weapon is configurable in percussion primed
- Available in linked/linkless configurations
- Capable of firing electric and percussion primed ammunition

Automatic Cannon

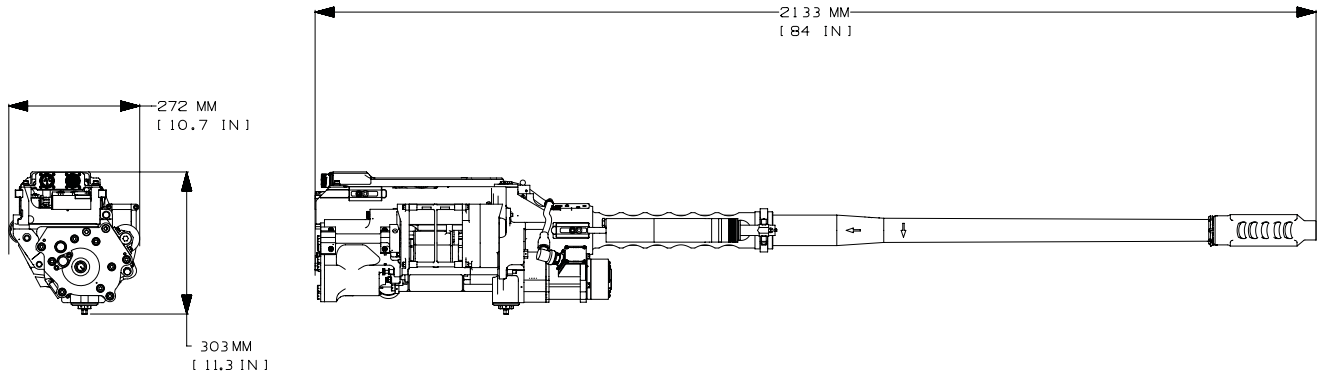
The 30mm M230LF Bushmaster® Chain Gun® is a more flexible version of the 30mm cannon featured on the Apache helicopter and is a member of the Chain Gun family of externally powered, combat-reliable conventional automatic weapons. The M230LF boasts a DC drive motor with a firing rate of 200 rounds per minute. Other features include a hangfire mechanism, extended-length barrel for enhanced muzzle velocity and a delinking feeder that allows the use of linked ammunition. The M230LF is ideal for use on ground vehicles and patrol boats.

Superior Design

- Leverages Apache M230 fire superiority, reliability
- Leverage ammunition stacks for life cycle expenses
- Extremely effective, lightweight and easy to maintain

Proven Capability

- Extremely flexible as a multi-role, multi-target capable
- Air, Naval and/or light vehicle applications
- Fires XM211 Proximity, M789/XM1198 HEDP, M788/XM950 TP, TP-T, HEI-T, and NATO standard 30mm x 113mm ADEN/DEFA ammunition
- Highly reliable; 22K rounds between mean time of failure



Characteristics

	Imperial	Metric
Recoil	1,650 lb	7,339 N
Weight*		
Receiver	76 lb	34.5 kg
Recoil Adapter	39 lb	17.7 kg
Barrel	50.2 lb	22.75 kg
Total	171 lb	77.6 kg
Power Requirement	1.0 HP	
Rate of Fire	Single Shot, Burst, Full Automatic @ 200 SPM	
Clearing Method	Cook off safe / open bolt	
Safety	Absolute Hangfire Protection	
Case Ejection	Side	