



# **XM813**

**30mm / 40mm**  
**Bushmaster®**  
**Chain Gun®**

Northrop Grumman's Medium caliber cannons boast unrivaled reliability and effectiveness. When paired with our exceptional training services, certified accessories, and OEM warranties, Northrop Grumman delivers best-in-class value and a guarantee of optimal performance. No matter what your mission critical objectives are; combat, peacekeeping, or training; we offer the necessary services to maintain your weapons systems at a fully mission capable rating and the ability to consistently sustain and optimize your fleet.

## **Guns Segment Market**

The Gun Systems Market Segment exists to meet the ever changing demands of the warfighter through innovation in technology, program execution, lifecycle cost, and product delivery. The guns team is committed to becoming the undeniable global leader in medium caliber gun systems support, an agile competitor and respected worldwide as a preeminently responsive partner.

## **Facts At A Glance**

Fires all 30mm x 173mm cartridges including Northrop Grumman's Programmable Air Bursting Munition (MK310)

Upgrades to fire 40mm Super Forty Ammunition

Integral mount / dual recoil system version of the Mk44S Stretch Cannon

Dual feed system, currently offered on the Stryker Dragoon as a Linkless / closed bolt configuration

90% logistics commonality with Mk44; 90% operator and maintenance training commonality

Compact size and weight facilitates easy upgrades of existing turrets

Reliability, safety, low life cycle costs

Minimal intrusion into turret / personnel area

### Automatic Cannon

The 30mm/40mm XM813 Bushmaster® Chain Gun® automatic cannon is a next generation weapon available, battle-proven and in use today. It continues the Bushmaster® tradition of excellence with its design simplicity, external power, positive round control, ease of maintenance, and constant velocity ammunition feed. The XM813 is also capable of firing the new programmable air burst munitions. What's more, it incorporates all of the battle-proven features of the 25mm M242 Bushmaster® Cannon®, with significant system commonality for low-risk, proven performance.

### Combat Proven - Ease of Integration

Demonstrated accuracy and performance (combat proven)

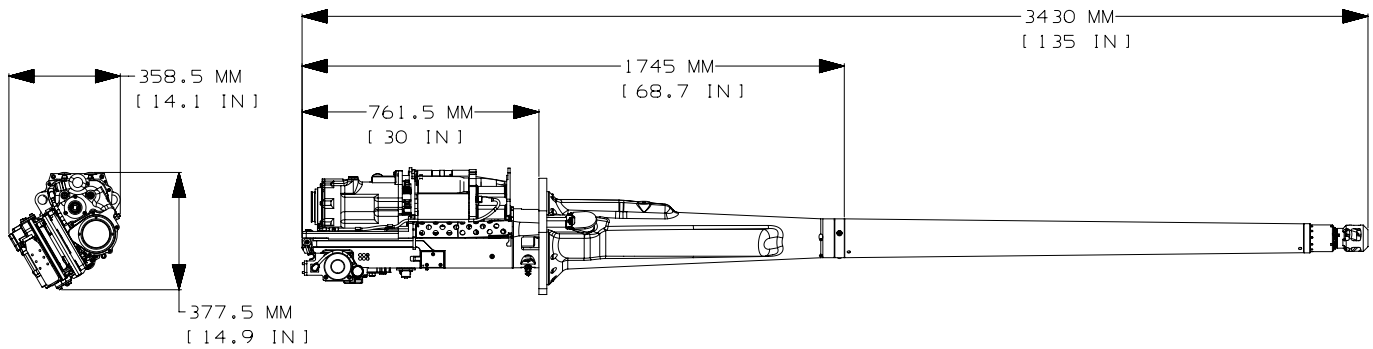
Ease of integration along multiple variants:

- Compact size and weight
- 60% parts & 90% maintenance commonality with M242

### Unmatched Reliability

High Reliability, Low Life Cycle Cost

In current production (COTS), established logistics



### Characteristics

Recoil (30mm ammo)

### Imperial

6,500 lb

### Metric

28,913 N

Recoil (40mm ammo)

11,000 lb

48,930 N

### Weight\*

Receiver

189 lb

85.7 kg

Feeder

70 lb

31.8 kg

Barrel

171 lb

77.6 kg

Total

430 lb

195 kg

Rate of Fire

Single shot, Burst,  
Full automatic @ 200 SPM

Power Requirement

1.5 HP @ 24 VDC

Clearing Method

Closed bolt

Safety

Anti-hangfire safety

Case Ejection

Forward