

APH635

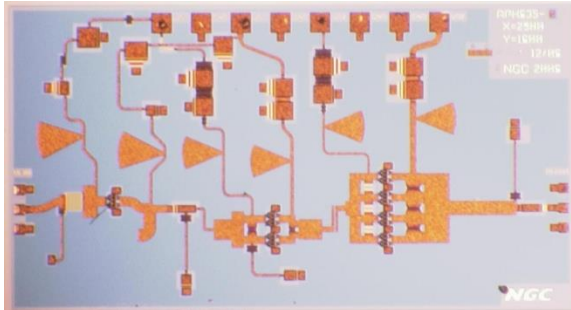
92 – 96 GHz

Power Amplifier

NORTHROP GRUMMAN

Product Datasheet

Revision: April 2015



X=2900mm Y=1600mm

Product Features

- ◆ RF Frequency: 92 to 96 GHz
- ◆ Linear Gain: 15 dB typ.
- ◆ Psat: 22 dBm typ.
- ◆ Die Size: < 4.7 sq. mm.
- ◆ 2 mil substrate
- ◆ DC Power: 4 VDC @ 280 mA

Performance Characteristics (Ta = 25°C)

Specification	Min	Typ	Max	Unit
Frequency	92		96	GHz
Linear Gain	13	15		dB
Input Return Loss		7		dB
Output Return Loss		9		dB
Psat		22		dBm
Vd1, Vd2		4		V
Vg1		-0.2		V
Vg2		-0.2		V
Id1		120		mA
Id2		160		mA

Applications

- ◆ Short Haul / High Capacity Links
- ◆ Sensors
- ◆ Radar

Product Description

The APH635 monolithic HEMT amplifier is a broadband, three-stage power device, designed for use in Short Haul / High Capacity Links and wireless LANs. To ensure rugged and reliable operation, HEMT devices are fully passivated. Both bond pad and backside metallization are Ti/Au, which is compatible with conventional die attach, thermocompression, and thermosonic wire bonding assembly techniques.

Absolute Maximum Ratings (Ta = 25°C)

Parameter	Min	Max	Unit
Vd1, Vd2		4.5	V
Id1		160	mA
Id2		200	mA
Vg1, Vg2	-0.8	0.3	V
Input drive level		12	dBm
Assy. Temperature (60 seconds)		300	deg. C

Note: The data contained in this document is for information only. Northrop Grumman reserves the right to change without notice the specifications, designs, prices or conditions of sale, as they apply to this product. The product represented by this datasheet is subject to U.S. Export Law as contained in the Export Administration Regulations (EAR).

Web: <http://www.as.northropgrumman.com/mps>

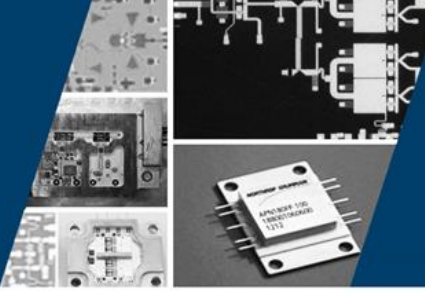
©2015 Northrop Grumman Systems Corporation

Phone: (310) 814-5000 • Fax: (310) 812-7011 • E-mail: as-mps.sales@ngc.com

APH635

92 – 96 GHz

Power Amplifier



NORTHROP GRUMMAN

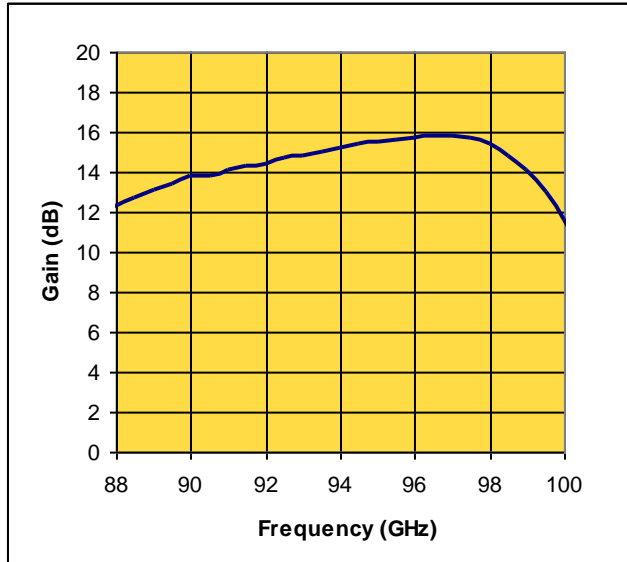
Product Datasheet

Revision: April 2015

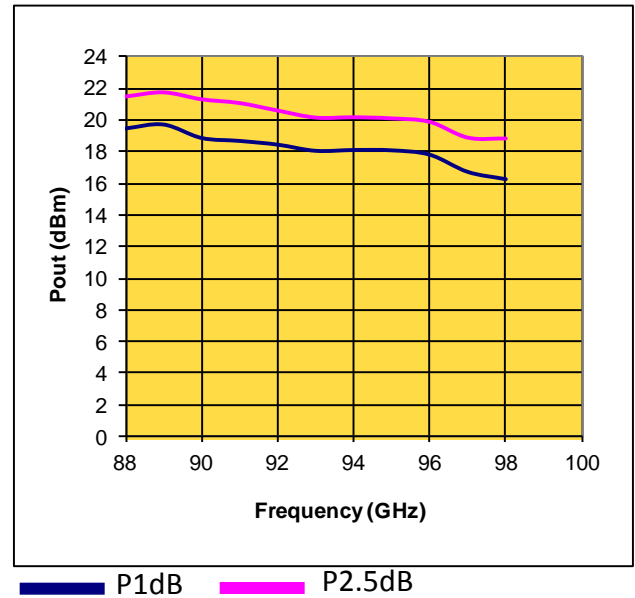
Measured Performance Characteristics (Typical Performance at 25°C)

Vd1 = Vd2 = 4V, Id1 = 120 mA, Id2 = 160 mA

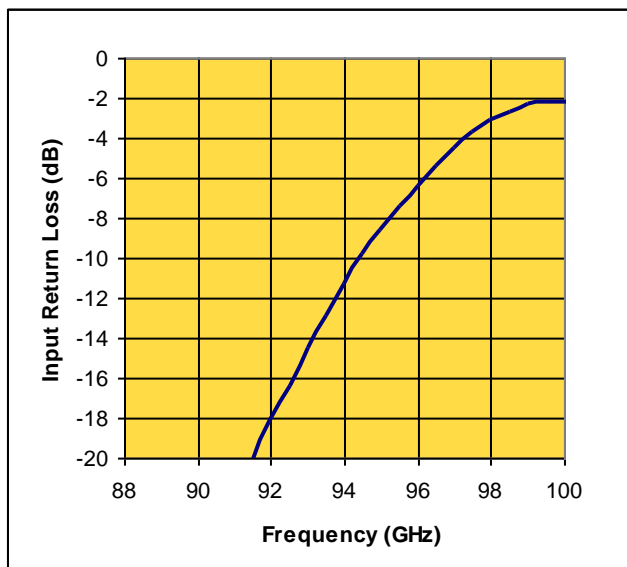
Linear Gain Versus Frequency



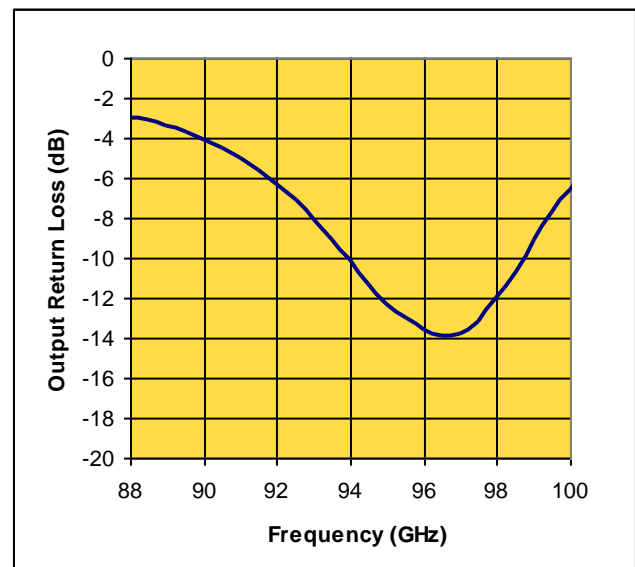
Fixture Output Power Versus Frequency



Input Return Loss Versus Frequency



Output Return Loss Versus Frequency



Note: The data contained in this document is for information only. Northrop Grumman reserves the right to change without notice the specifications, designs, prices or conditions of sale, as they apply to this product. The product represented by this datasheet is subject to U.S. Export Law as contained in the Export Administration Regulations (EAR).

Web: <http://www.as.northropgrumman.com/mps>

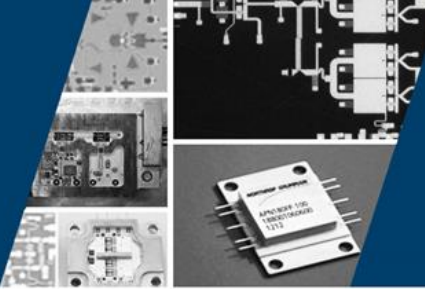
©2015 Northrop Grumman Systems Corporation

Phone: (310) 814-5000 • Fax: (310) 812-7011 • E-mail: as-mps.sales@ngc.com

APH635

92 – 96 GHz

Power Amplifier



NORTHROP GRUMMAN

Product Datasheet

Revision: April 2015

Measured Performance Characteristics (Typical Performance at 25°C)
Vd1 = Vd2 = Vd3 = 4V, Id1 = 120 mA, Id2 = 160mA

Freq GHz	S11 Mag	S11 Ang	S21 Mag	S21 Ang	S12 Mag	S12 Ang	S22 Mag	S22 Ang
88.0	0.092	43.908	4.285	123.508	0.006	-134.727	0.716	158.137
88.5	0.073	37.535	4.447	110.909	0.007	-143.286	0.702	152.385
89.0	0.066	34.244	4.668	97.890	0.006	-150.719	0.681	146.189
89.5	0.059	25.321	4.829	84.217	0.007	-158.365	0.661	140.133
90.0	0.063	25.460	5.010	69.864	0.006	-168.894	0.631	133.690
90.5	0.070	18.410	5.023	56.119	0.006	-171.667	0.598	127.656
91.0	0.083	15.798	5.192	42.729	0.006	-170.219	0.567	120.663
91.5	0.105	11.477	5.325	28.843	0.006	147.030	0.529	113.396
92.0	0.134	2.595	5.371	15.658	0.005	138.274	0.491	106.345
92.5	0.163	-4.210	5.532	1.665	0.005	122.194	0.448	98.133
93.0	0.204	-10.633	5.650	-12.629	0.004	108.182	0.403	90.579
93.5	0.245	-18.019	5.777	-26.733	0.004	99.612	0.362	82.565
94.0	0.297	-23.575	5.921	-41.463	0.004	78.228	0.323	73.819
94.5	0.352	-30.372	6.042	-57.055	0.004	58.554	0.284	65.231
95.0	0.402	-37.539	6.113	-72.432	0.004	41.675	0.256	55.637
95.5	0.463	-44.197	6.185	-88.330	0.003	22.703	0.232	47.109
96.0	0.515	-51.361	6.265	-104.837	0.003	-1.120	0.216	37.189
96.5	0.576	-57.321	6.301	-122.365	0.003	-11.975	0.207	27.254
97.0	0.638	-64.260	6.290	-140.563	0.003	-28.604	0.207	17.790
97.5	0.695	-71.167	6.180	-159.376	0.003	-56.878	0.225	8.379
98.0	0.746	-78.266	5.969	-175.987	0.002	-83.572	0.257	-2.709
98.5	0.785	-85.243	5.614	159.925	0.002	-121.817	0.302	-14.886
99.0	0.811	-91.901	5.136	139.520	0.001	-128.897	0.359	-28.732
99.5	0.823	-97.922	4.527	118.704	0.001	-110.506	0.421	-42.004
100.0	0.822	-103.479	3.912	99.493	0.001	45.211	0.479	-54.423

Note: The data contained in this document is for information only. Northrop Grumman reserves the right to change without notice the specifications, designs, prices or conditions of sale, as they apply to this product. The product represented by this datasheet is subject to U.S. Export Law as contained in the Export Administration Regulations (EAR).

Web: <http://www.as.northropgrumman.com/mps>

©2015 Northrop Grumman Systems Corporation

Phone: (310) 814-5000 • Fax: (310) 812-7011 • E-mail: as-mps.sales@ngc.com

APH635

92 – 96 GHz

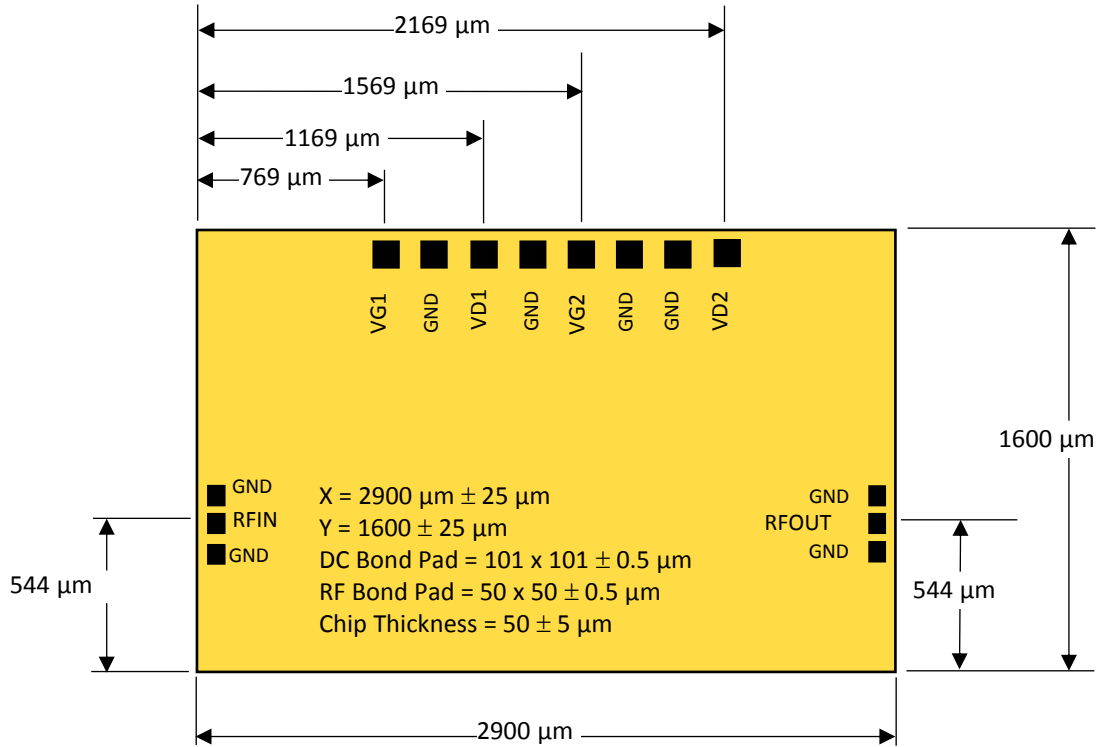
Power Amplifier

NORTHROP GRUMMAN

Product Datasheet

Revision: April 2015

Die Size and Bond Pad Locations (Not to Scale)



Note: The data contained in this document is for information only. Northrop Grumman reserves the right to change without notice the specifications, designs, prices or conditions of sale, as they apply to this product. The product represented by this datasheet is subject to U.S. Export Law as contained in the Export Administration Regulations (EAR).

Web: <http://www.as.northropgrumman.com/mps>

©2015 Northrop Grumman Systems Corporation

Phone: (310) 814-5000 • Fax: (310) 812-7011 • E-mail: as-mps.sales@ngc.com

Page 4

APH635

92 – 96 GHz

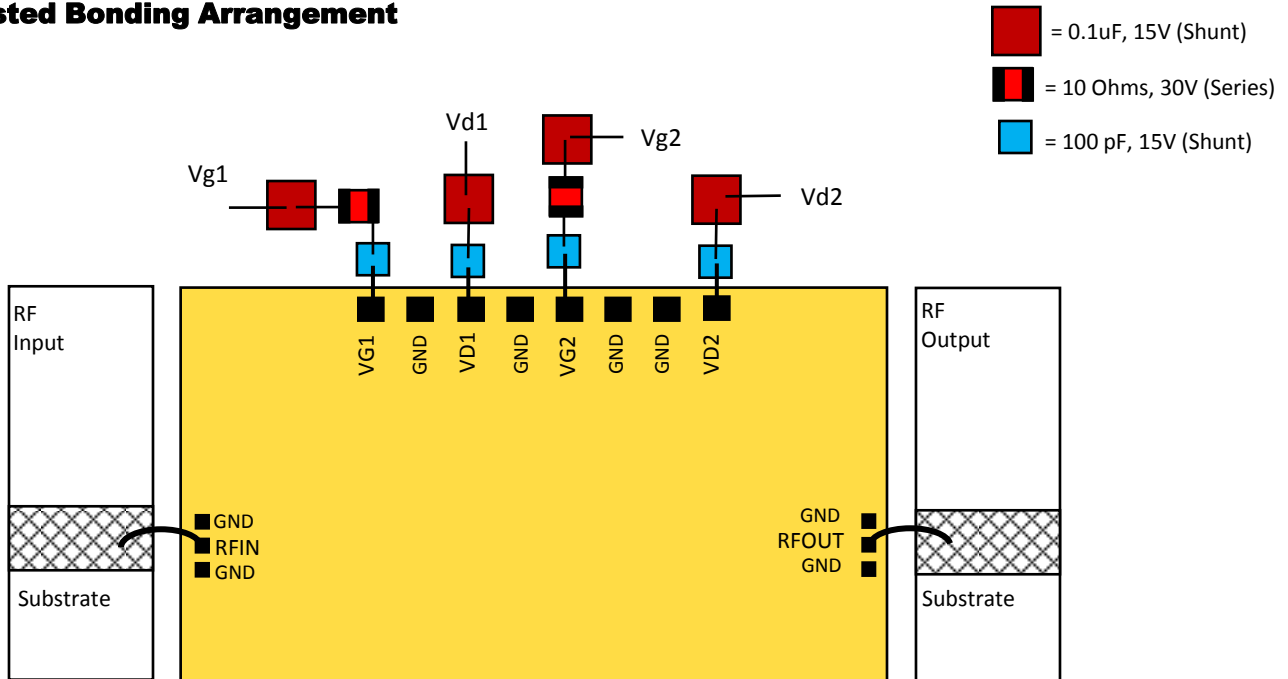
Power Amplifier

NORTHROP GRUMMAN

Product Datasheet

Revision: April 2015

Suggested Bonding Arrangement



Recommended Assembly Notes

1. Bypass caps should be 100 pF ceramic (single-layer) placed no further than 30 mils from the amplifier.
2. Best performance obtained from use of <6 mil (long) by 1.5 by 0.5 mil ribbons on input and output.

Note: The data contained in this document is for information only. Northrop Grumman reserves the right to change without notice the specifications, designs, prices or conditions of sale, as they apply to this product. The product represented by this datasheet is subject to U.S. Export Law as contained in the Export Administration Regulations (EAR).

Web: <http://www.as.northropgrumman.com/mps>

©2015 Northrop Grumman Systems Corporation

Phone: (310) 814-5000 • Fax: (310) 812-7011 • E-mail: as-mps.sales@ngc.com

Page 5