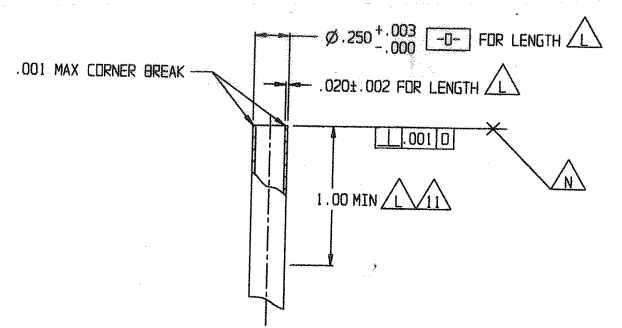
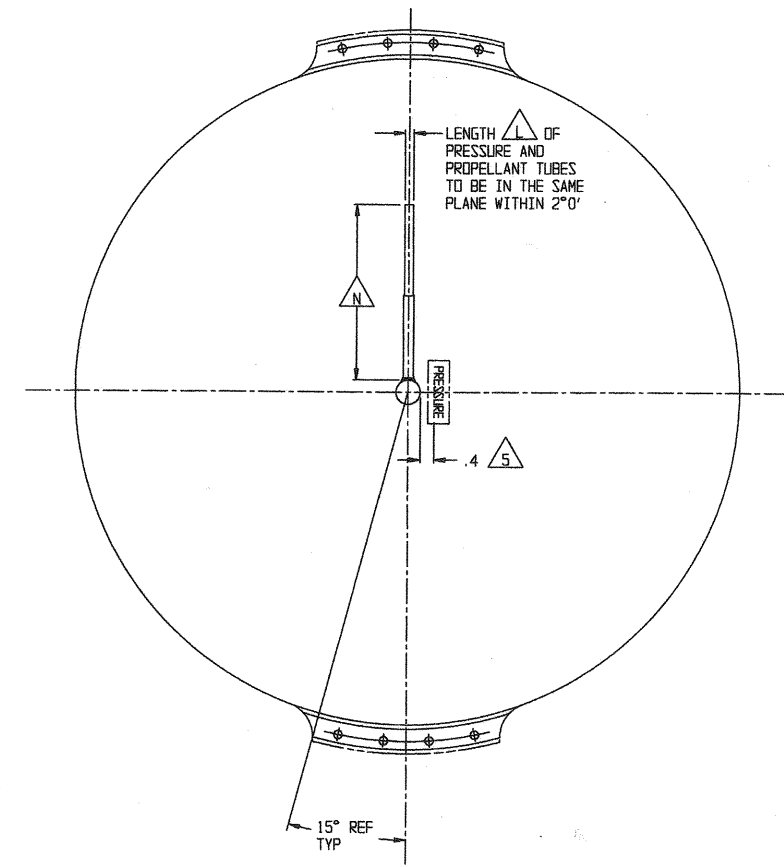
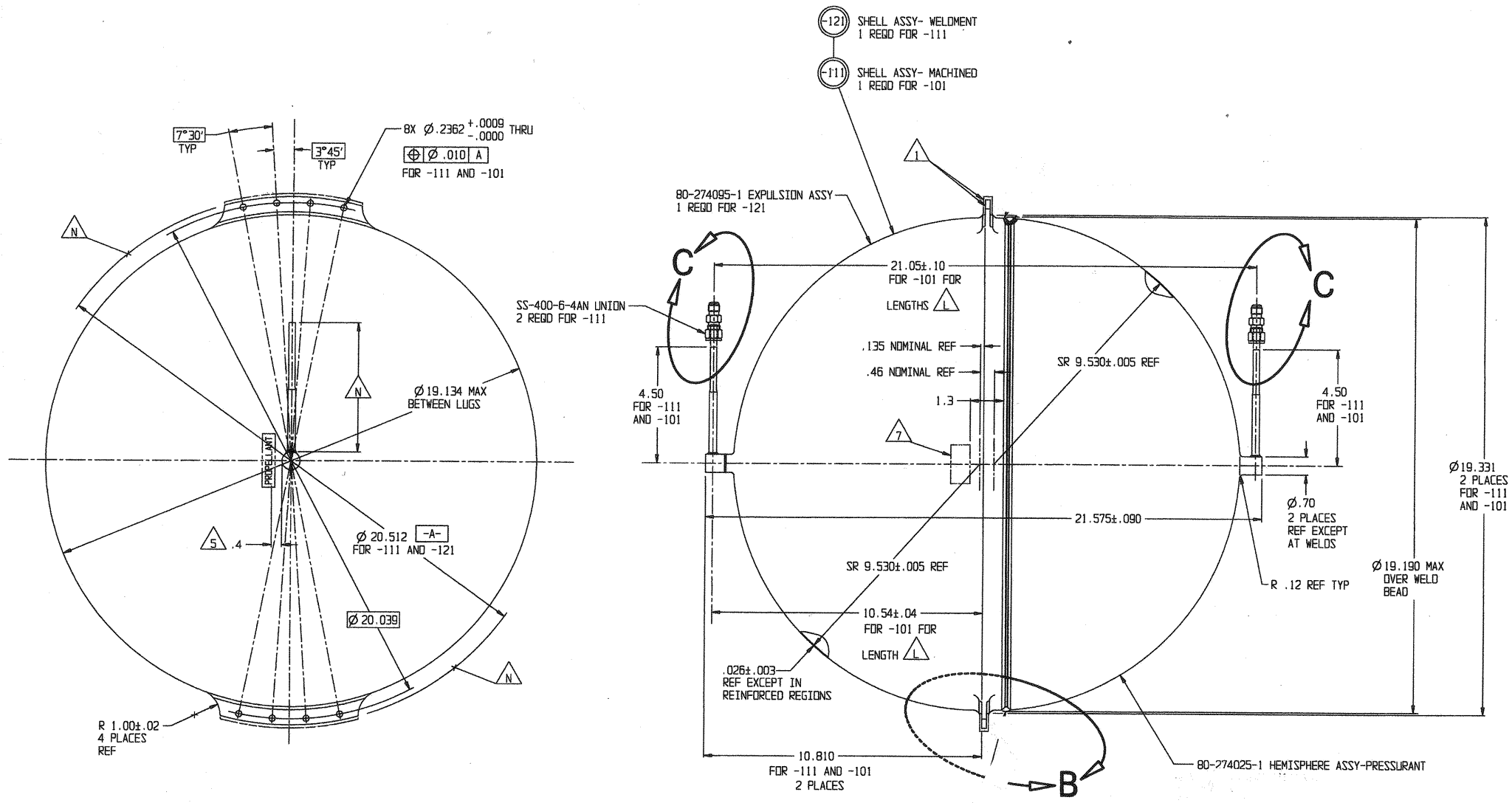
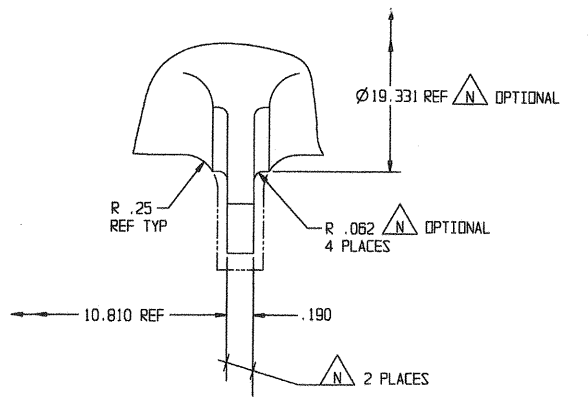


PRESSURE SYSTEMS, INC.
 LOS ANGELES, CALIFORNIA
 HYDRAZINE PROPELLANT
 TANK
 18229 J 80274 B
 SCALE: 1/1



VIEW C
 2 PLACES FOR -101
 SCALE 2/1



VIEW B
 FOR -111 AND -101
 SCALE 2/1

| | | | |
|--|------------------|-------------------------|------------------|
| PRESSURE SYSTEMS, INC. LOS ANGELES, CALIFORNIA | | | |
| HYDRAZINE PROPELLANT TANK | | | |
| CAGE CODE 18229 | SIZE E | DWG NO. 80274 | REV. A |
| SCALE: 1/2 | SHEET | 2 | |