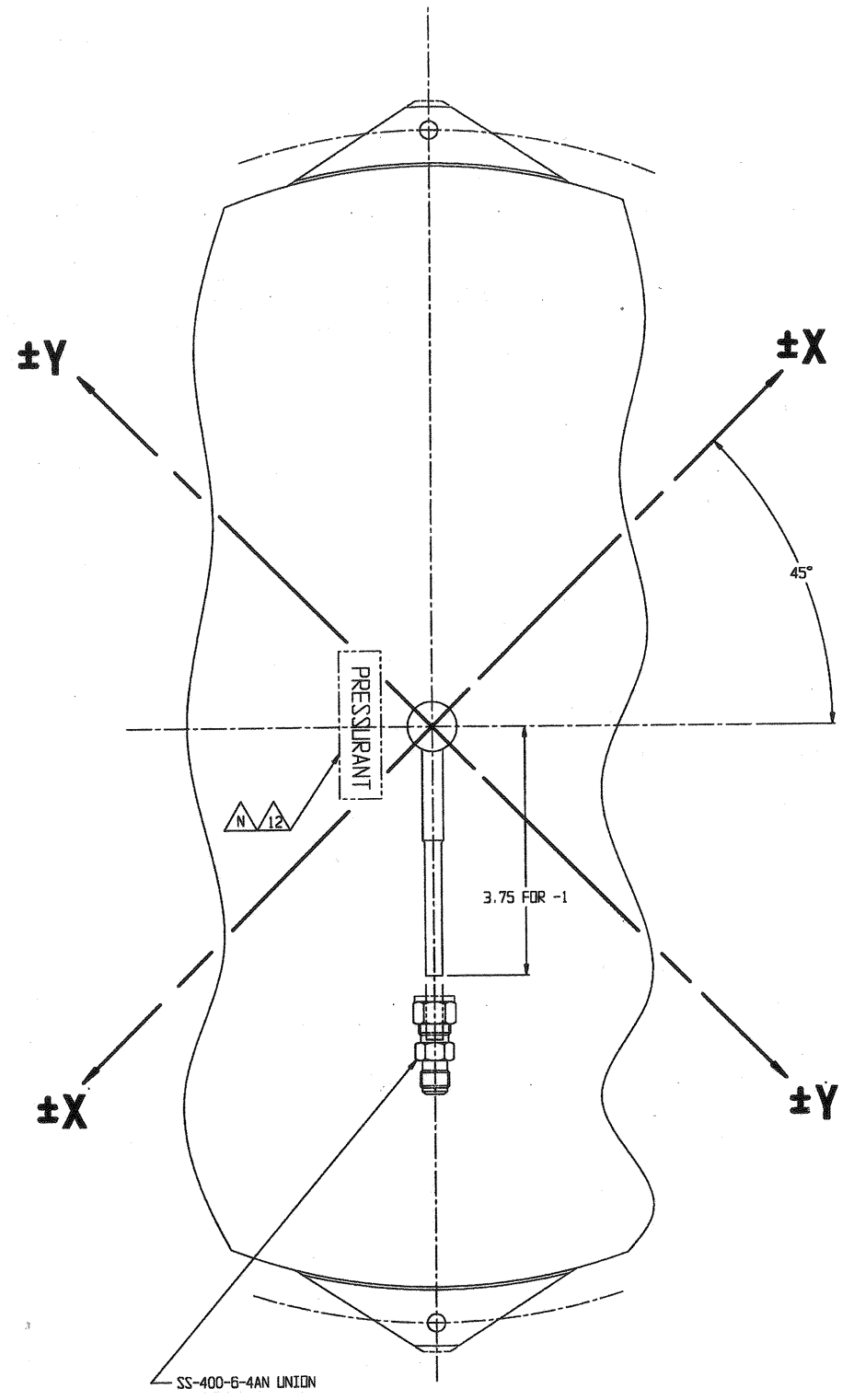


PRESSURE SYSTEMS, INC. LOS ANGELES, CALIFORNIA			
PROPELLANT TANK, HYDRAZINE			
CAGE CODE 18229	SIZE E	DWG NO. 80275	REV. C
SCALE: 1/1	SHEET		1 OF 8

D
SHEET 2



VIEW **D-D** SHEET 1

PRESSURE SYSTEMS, INC.			
LOS ANGELES, CALIFORNIA			
PROPELLANT TANK, HYDRAZINE			
CAGE CODE	SIZE	ENG. NO.	REV.
18229	E	80275	C
SCALE: 1/1	SHEET		2 OF 8