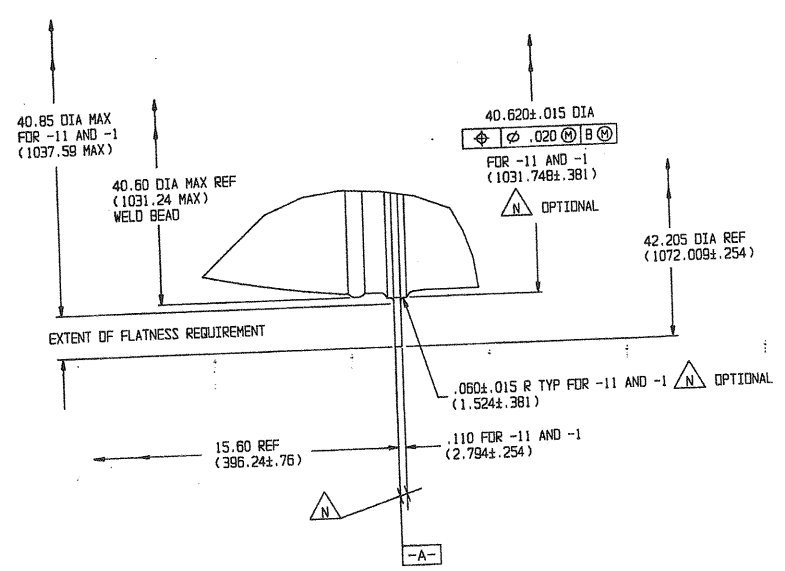
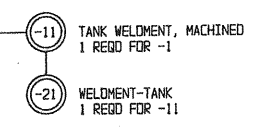
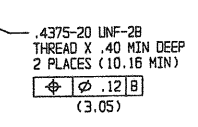
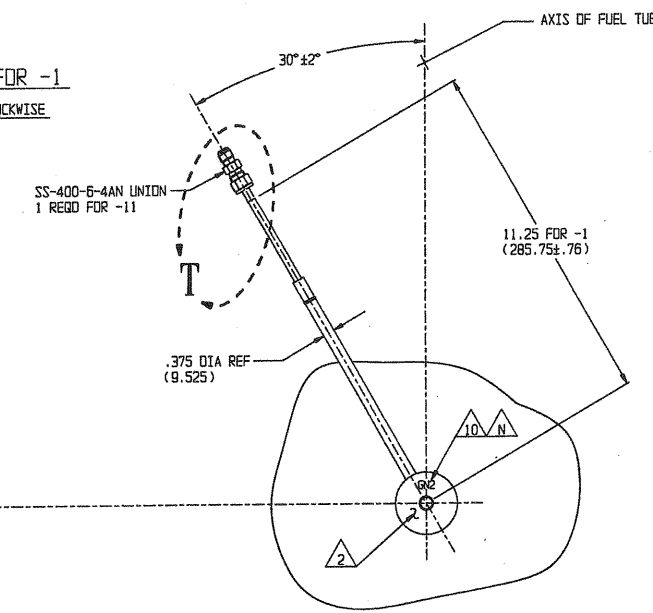
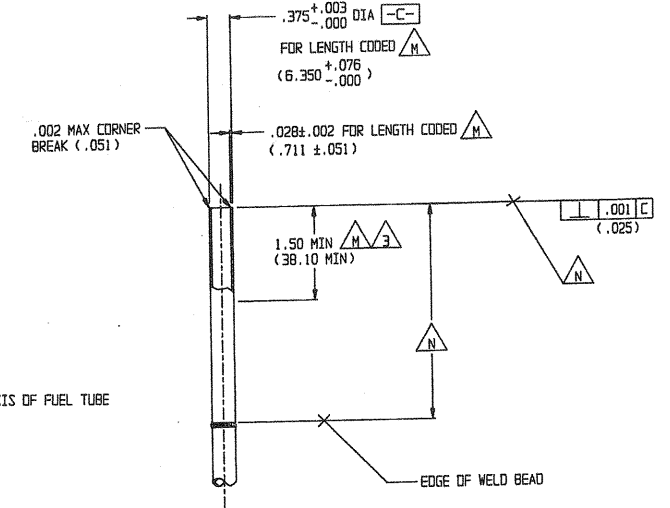
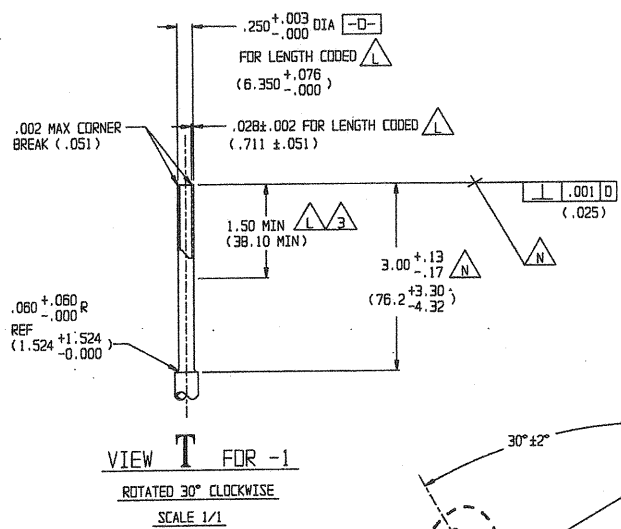
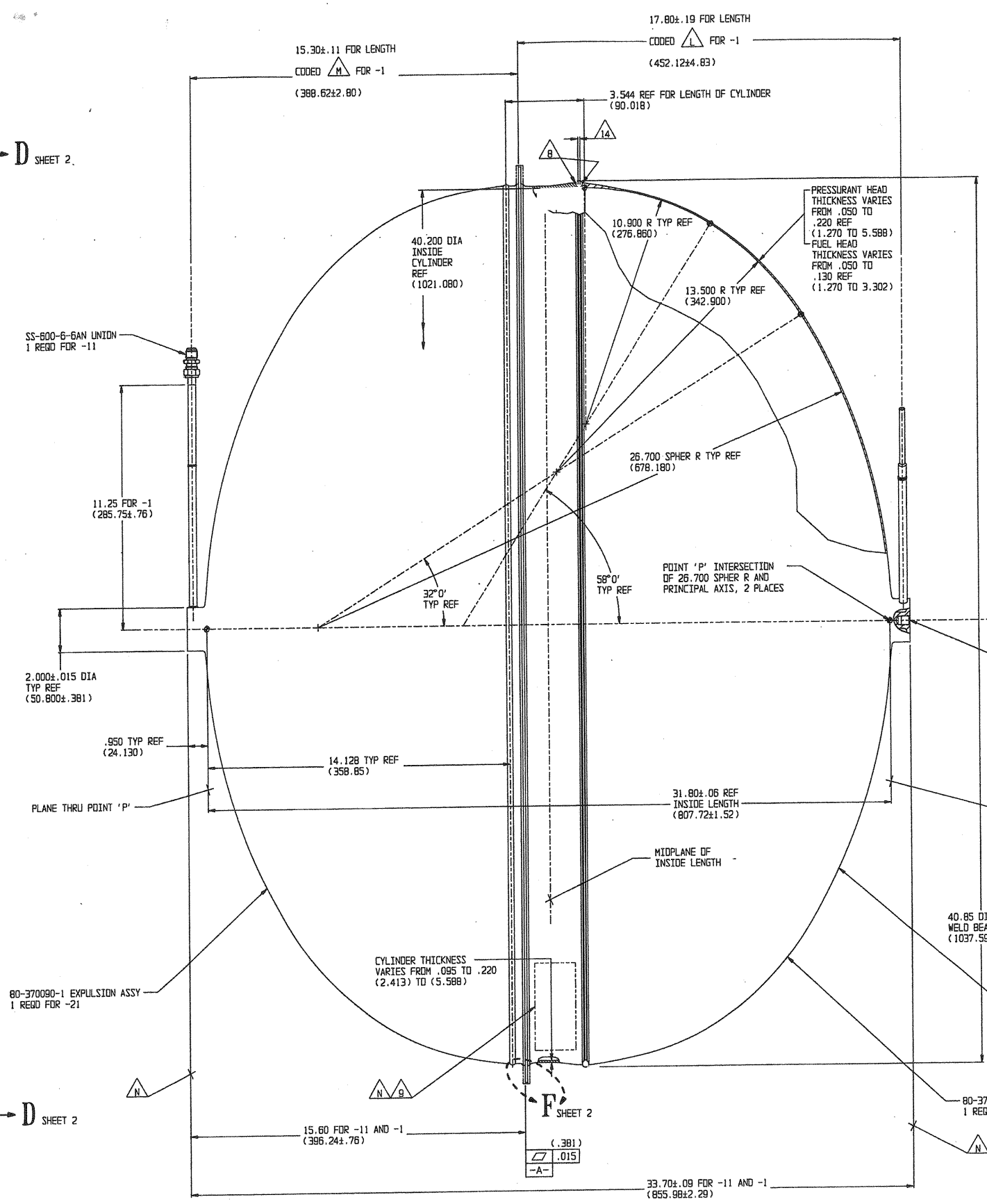


D SHEET 2

D SHEET 2



| | | | |
|--|------|---------|------|
| PRESSURE SYSTEMS, INC. LOS ANGELES, CALIFORNIA | | | |
| TANK, PROPELLANT | | | |
| CAGE CODE | SIZE | DWG NO. | REV. |
| 18229 | E | 80370 | NC |