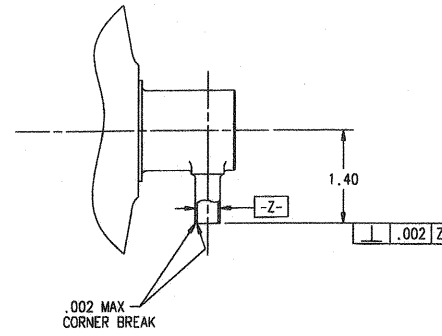
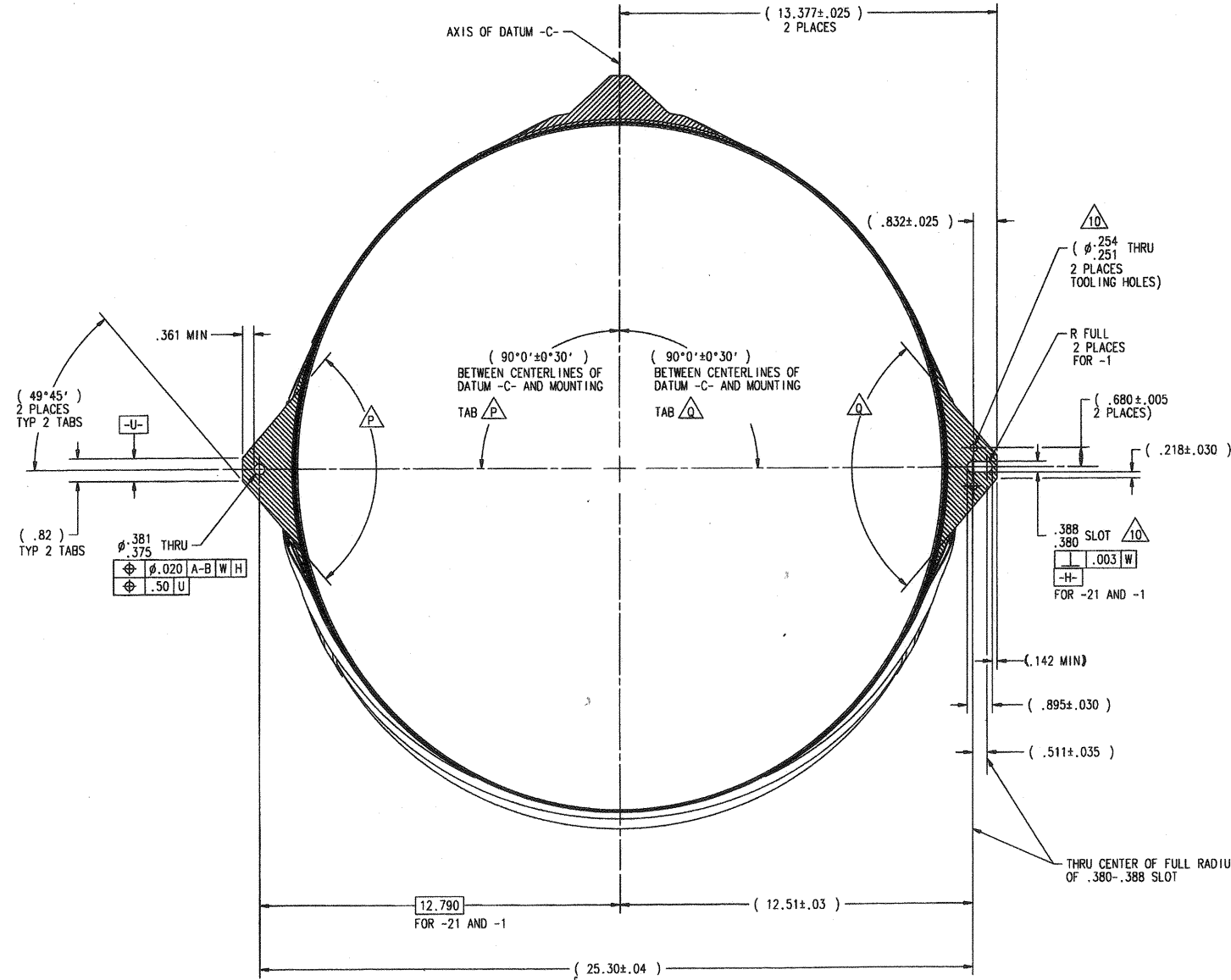


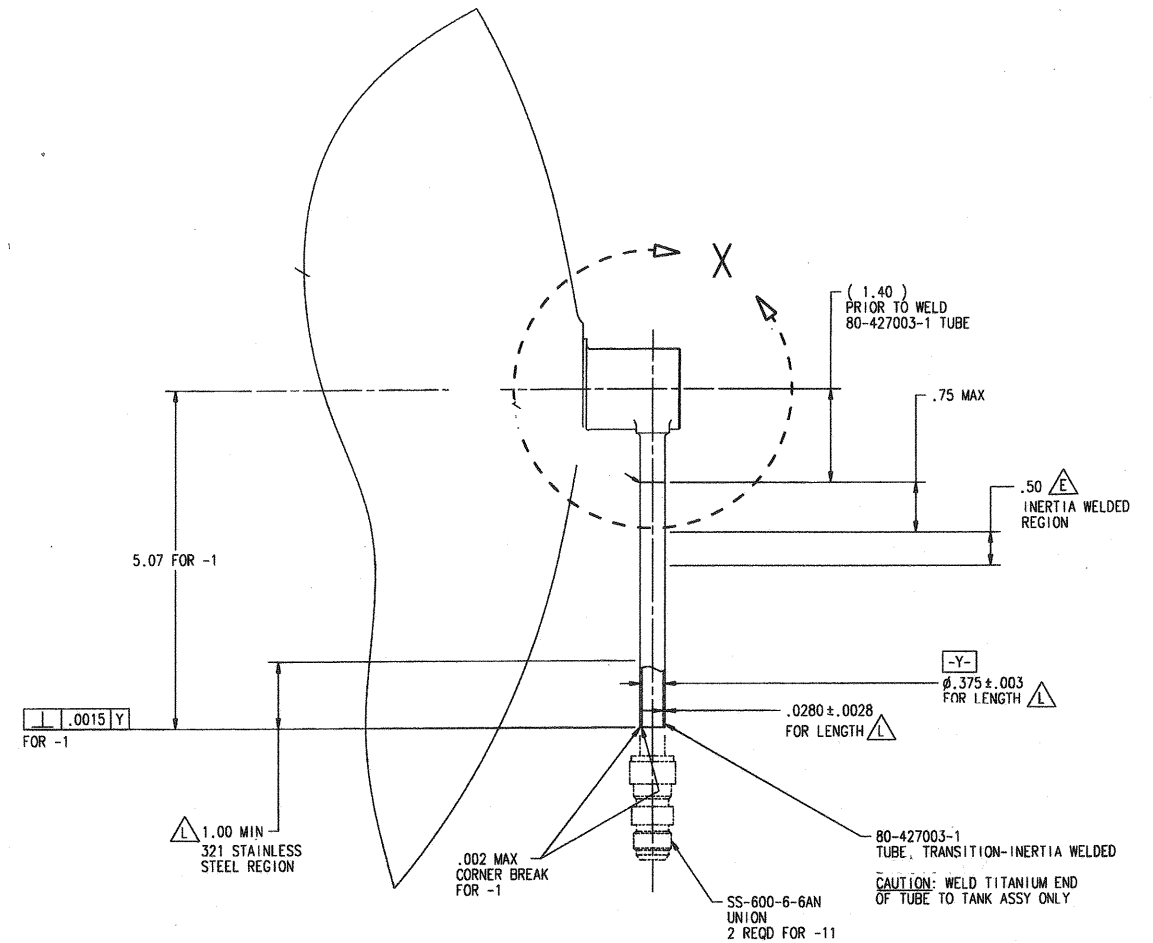
ISOMETRIC VIEW
SCALE 1/4



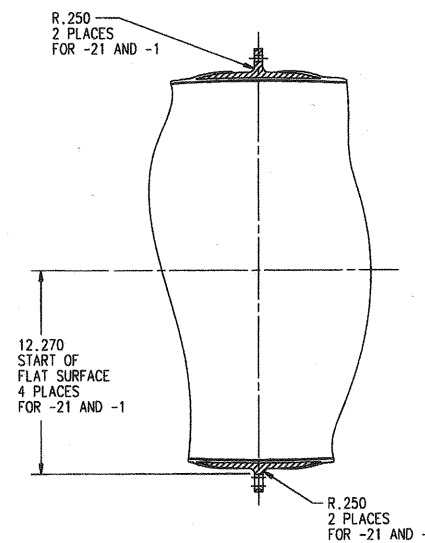
VIEW X
80-427003-1 TUBE OMITTED FOR CLARITY
DIMENSIONS APPLY PRIOR TO WELD TUBE
TYP 2 PLACES
SCALE: 1/1



SECTION D-D SHEET 1
PARTIAL BACKGROUND OMITTED FOR CLARITY



VIEW G-G SHEET 1
TYP 2 PLACES
SCALE: 1/1



SECTION F-F SHEET 1
PARTIAL BACKGROUND OMITTED FOR CLARITY
VIEW ROTATED 20° CCW
SCALE: 1/1

PRESSURE SYSTEMS, INC. LOS ANGELES, CALIFORNIA			
TANK - HYDRAZINE STORAGE			
CAGE CODE	SIZE	DWG NO.	REV.
18229	E	80427	A