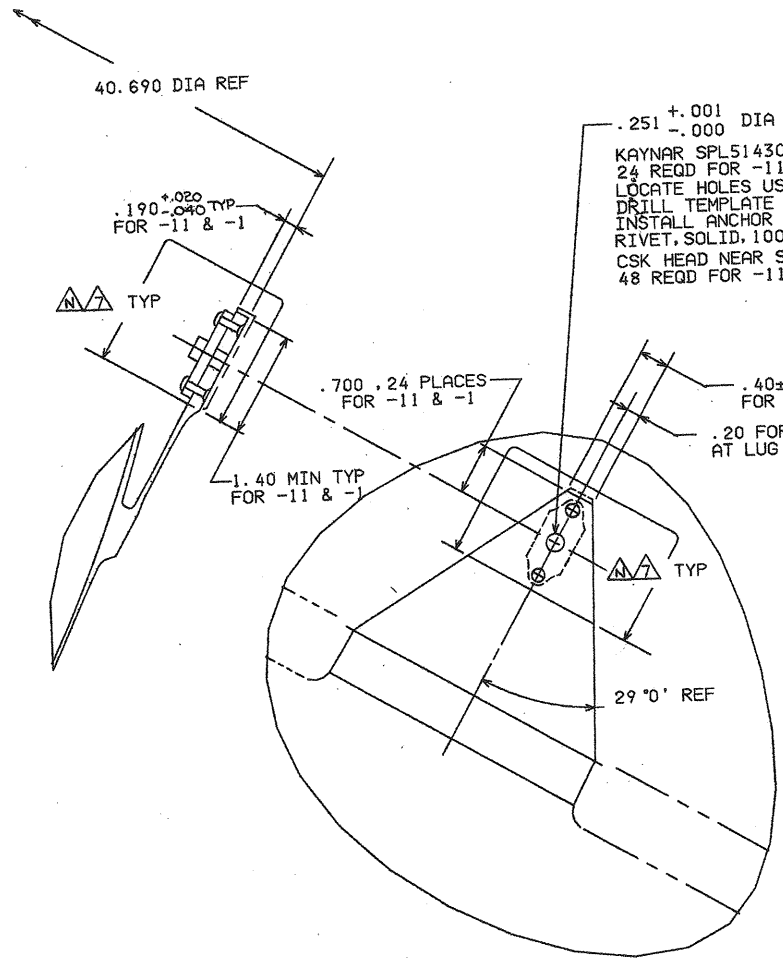
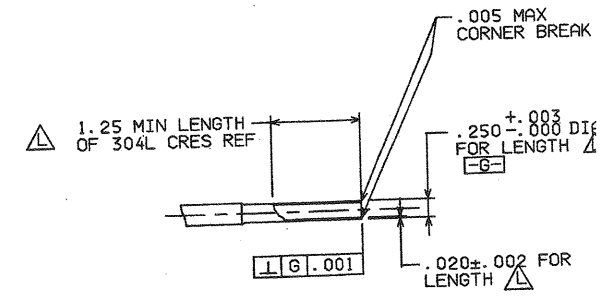
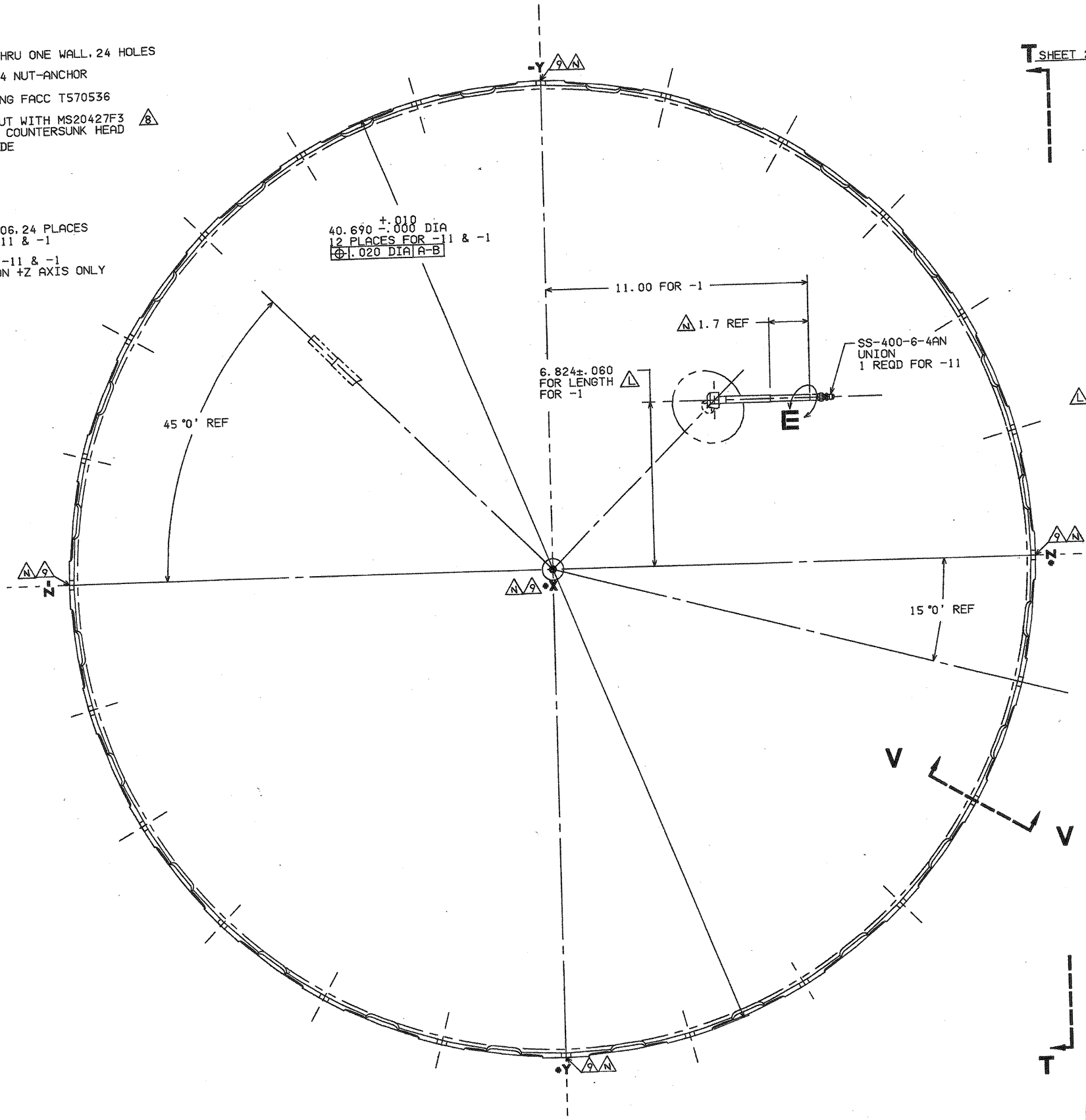


T SHEET 2



SECTION **V-V** TYP 24 PLACES EXCEPT AS SHOWN
SCALE 1/1

.251 \pm .001 DIA THRU ONE WALL, 24 HOLES
KAYNAR SPL51430-4 NUT-ANCHOR
24 REQD FOR -11
LOCATE HOLES USING FACCT 570536
DRILL TEMPLATE
INSTALL ANCHOR NUT WITH MS20427F3
RIVET, SOLID, 100° COUNTERSUNK HEAD
CSK HEAD NEAR SIDE
48 REQD FOR -11



VIEW **E** FOR -1
SCALE 1/1

TRW Pressure Systems, Inc LOS ANGELES, CALIFORNIA			
TANK, PROPELLANT-GOES			
CODE IDENT NO. 18229	SIZE E	REV. 80338	REV. C
SCALE 1/2		SHEET 1 OF 2	

