

$\pm .00$
 $-.03$
 TYP REF

PLANE THRU INTERSECTION
 OF 24.450 SPHERE R AND
 Z AXIS

.115±.005 REF

$.64 \pm .08$
 $-.04$
 TYP REF

.53 TYP REF

$10^{\circ}45'$
 $21^{\circ}0' - 0^{\circ}15'$
 TYP REF

-N- FOR TAB CODED Δ ONLY (SHEET 1)

.251±.001 DIA THRU ONE WALL
 $-.000$
 32 HOLES, LOCATED USING SS-1
 T590100-01 DRILL TEMPLATE
 $\phi .020$ [W-N] FOR HOLE LOCATED ON TAB CODED Δ ONLY
 SPL51430-4 KAYNAR NUT PLATE
 32 REGD FOR -1
 INSTALL USING MS20427F3-6 RIVET Δ
 100° COUNTERSUNK HEAD
 CSK HEAD NEAR SIDE
 64 REGD FOR -1

-U-

24.450±.005 INSIDE
 SPHERE RADIUS
 REF

.033±.003
 EXCEPT AT
 REINFORCEMENT REGIONS
 REF

49.250 DIA
 16 PLACES
 FOR -1

17.805
 FOR -1

48.991 DIA
 REF

PRESSURE SYSTEMS, INC.			
LOS ANGELES, CALIFORNIA			
TANK, PROPELLANT			
CAGE CODE 18229	SIZE E	QWG NO. 80366	REV. NC
SCALE: 1/1		SHEET 2 OF 3	

.063±.003 REF

.50 R
 REF TYP

Δ TYP 32 PLACES

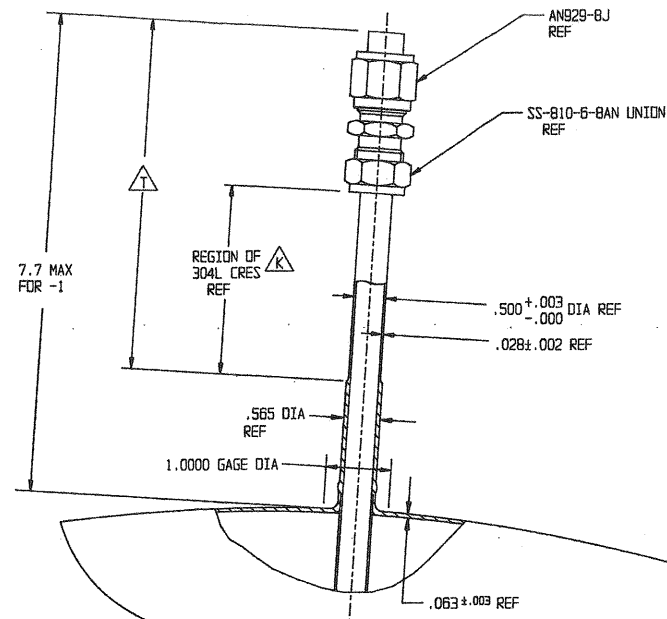
$+.015$
 $-.005$ FOR -1
 TYP 32 PLACES

1.46±.06 REF TYP

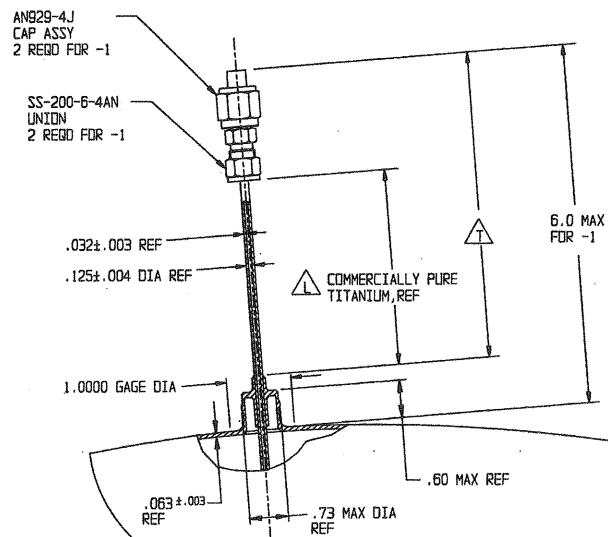
$.193 \pm .020$ FOR -1
 TYP 32 PLACES

6.06
 REF

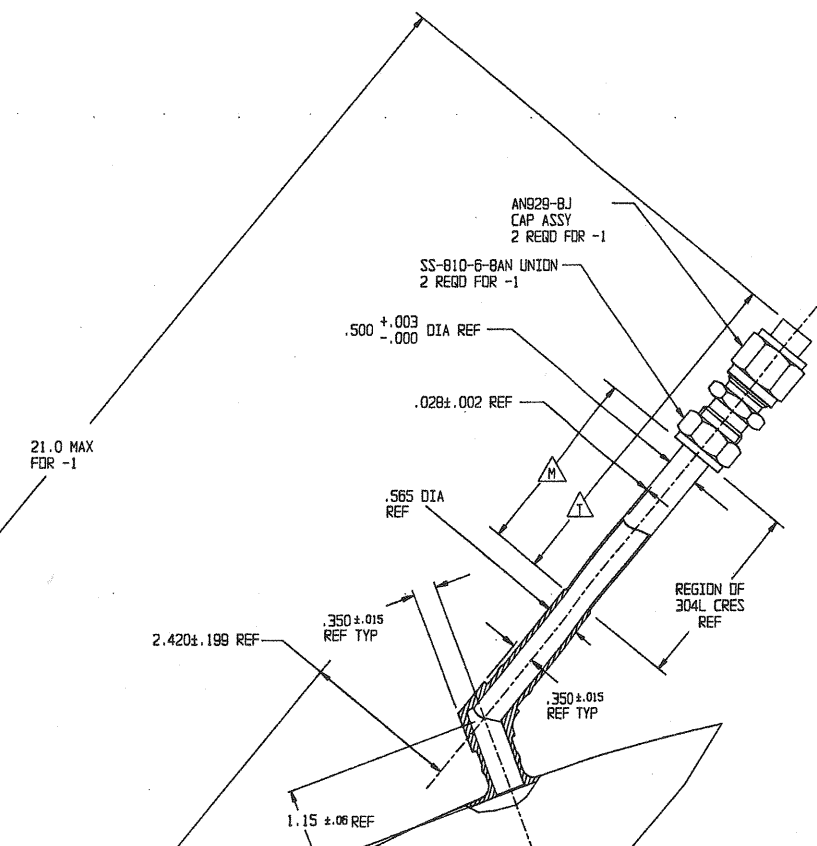
VIEW R



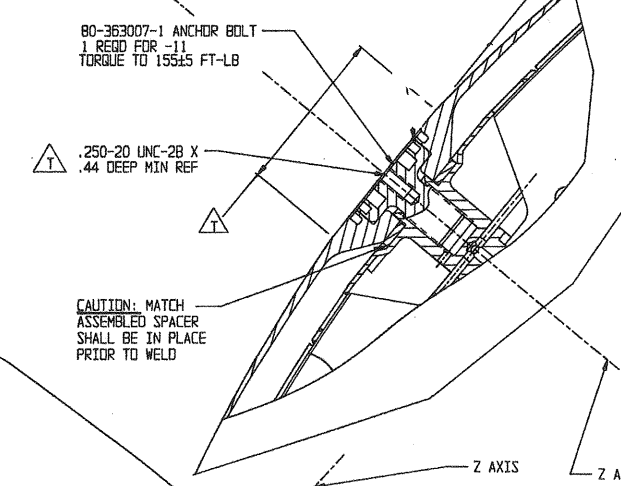
SECTION D-D SHEET 1



SECTION G-G SHEET 1
TYP 2 PLACES



SECTION A-A SHEET 1



PRESSURE SYSTEMS, INC.			
LOS ANGELES, CALIFORNIA			
TANK, PROPELLANT			
CAGE CODE	SIZE	QWG NO.	REV.
18229	E	80366	NC
SCALE: 1/1	SHEET		3 OF 3