

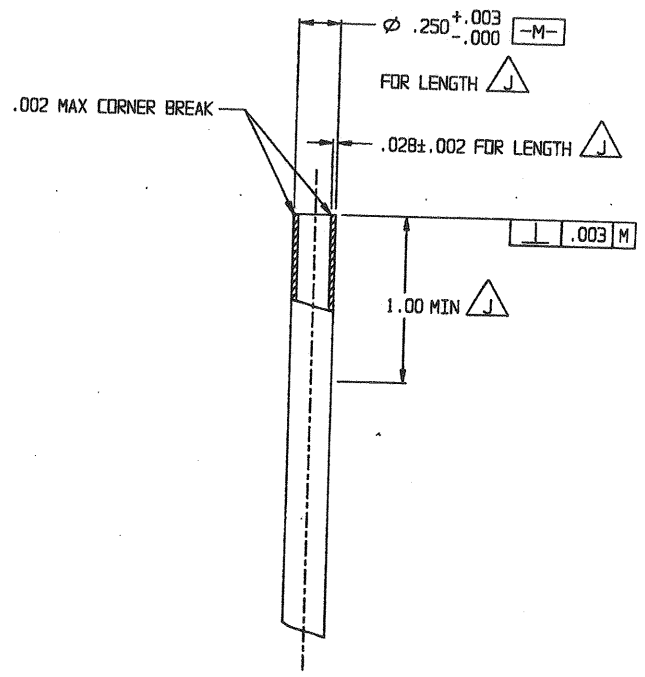
E
SHEET 2

X
SHEET 2

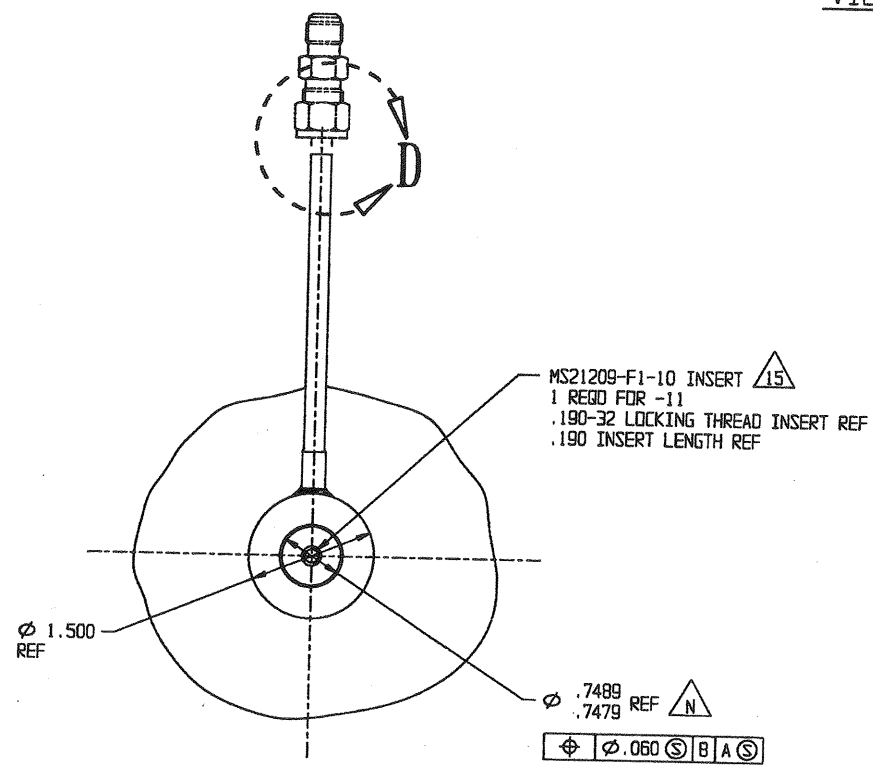
E
SHEET 2

X
SHEET 2

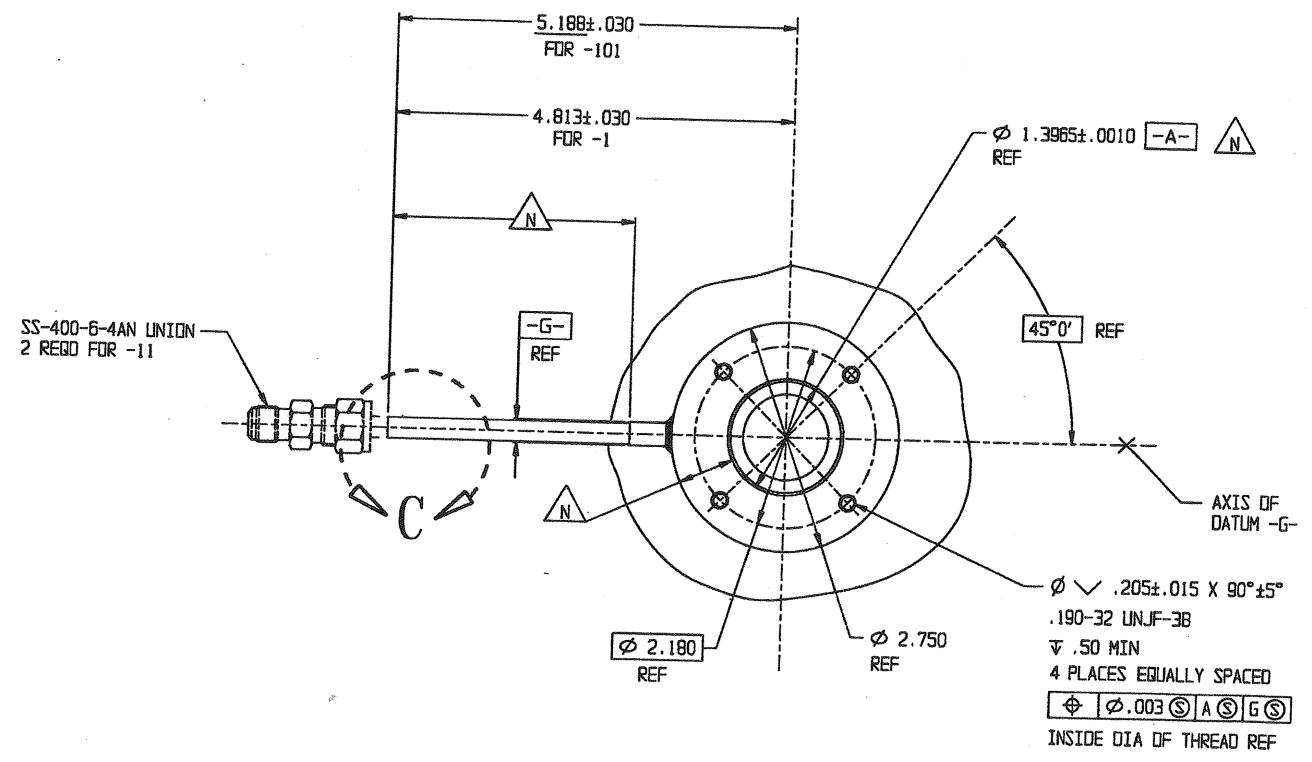
PRESSURE SYSTEMS, INC.			
LOS ANGELES, CALIFORNIA			
TANK ASSY, PROPELLANT			
CAGE CODE	SIZE	DWG NO.	REV.
18229	E	80387	A
SCALE: 1/1	SHEET	1 OF 2	



VIEW D FOR -1 AND -101
 VIEW C FOR -1 AND -101
 VIEW ROTATED 90° CLOCKWISE
 SCALE 2/1



VIEW E-E SHEET 1



VIEW X-X SHEET 1

PRESSURE SYSTEMS, INC.			
LOS ANGELES, CALIFORNIA			
TANK ASSY, PROPELLANT			
CAGE CODE	SIZE	DWG NO.	REV.
18229	E	80387	A