

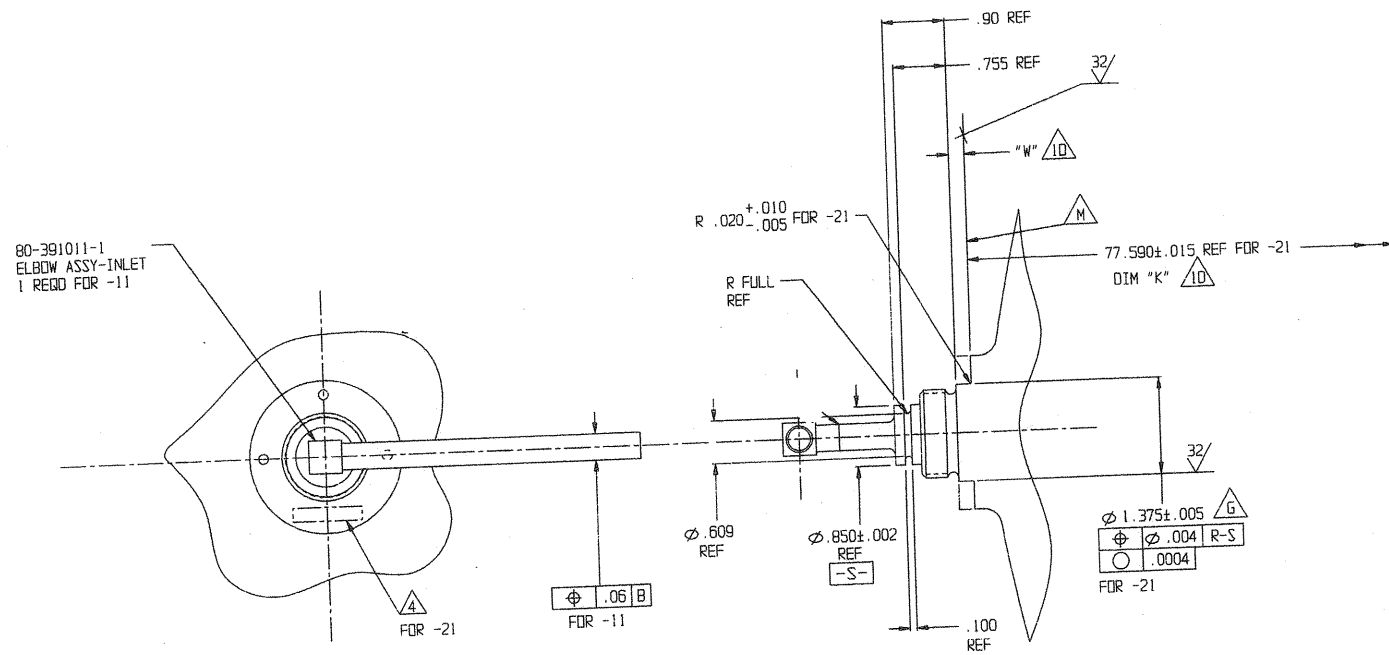
VIEW E-E SHEET 1

VIEW F-F
SCALE: 1/2

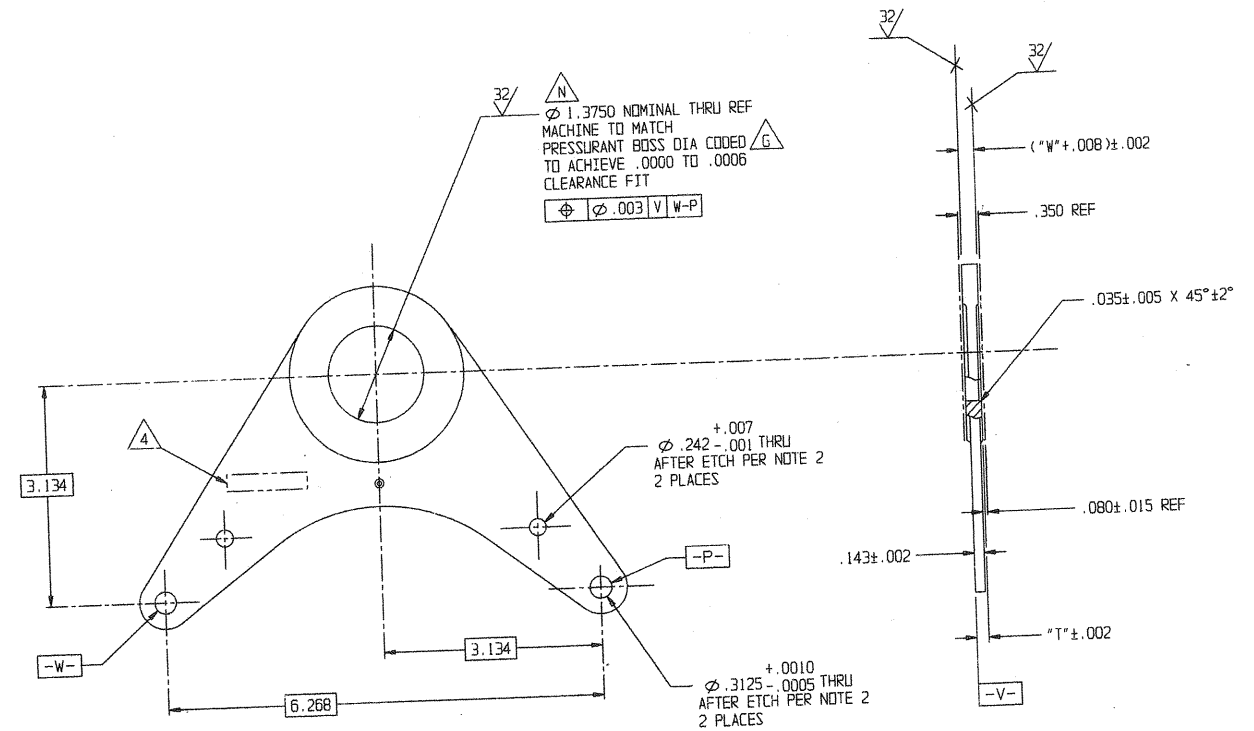
PRESSURE SYSTEMS, INC.
LOS ANGELES, CALIFORNIA

PROPELLANT TANK ASSY -
FUEL, P106/AX

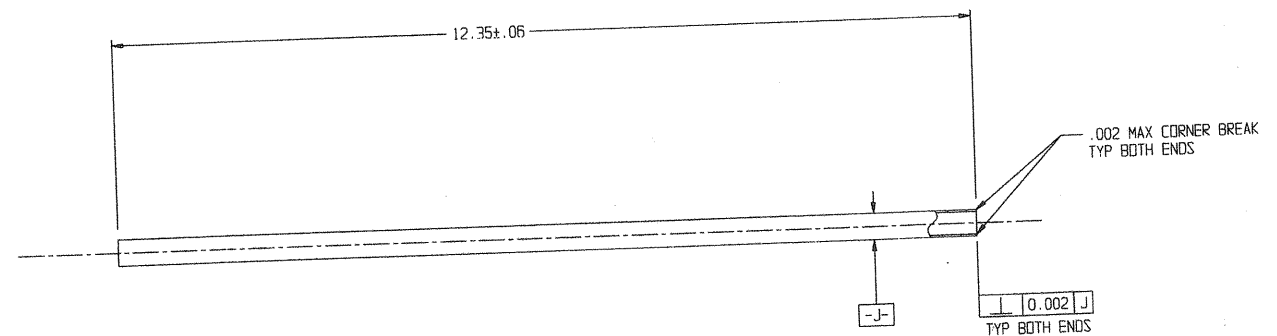
CAGE CODE 19229	SIZE E	ENG. NO. 80391	REV. C
SCALE: 1/2		SHEET 2 OF 3	



VIEW X SHEET 1
 -31 FLEX PLATE - MATCHED &
 NAS1149C2090R WASHER & NAS1423C20 NUT
 OMITTED FOR CLARITY



DETAIL -31



DETAIL -51

ATK SPACE SYSTEMS, INC. LOS ANGELES, CALIFORNIA			
PROPELLANT TANK ASSY - FUEL, P106/AX			
CAGE CODE 18229	SIZE E	DWG NO. 80391	REV. D
SCALE: 1/1		SHEET 3-OF-3	