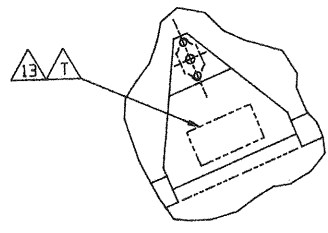
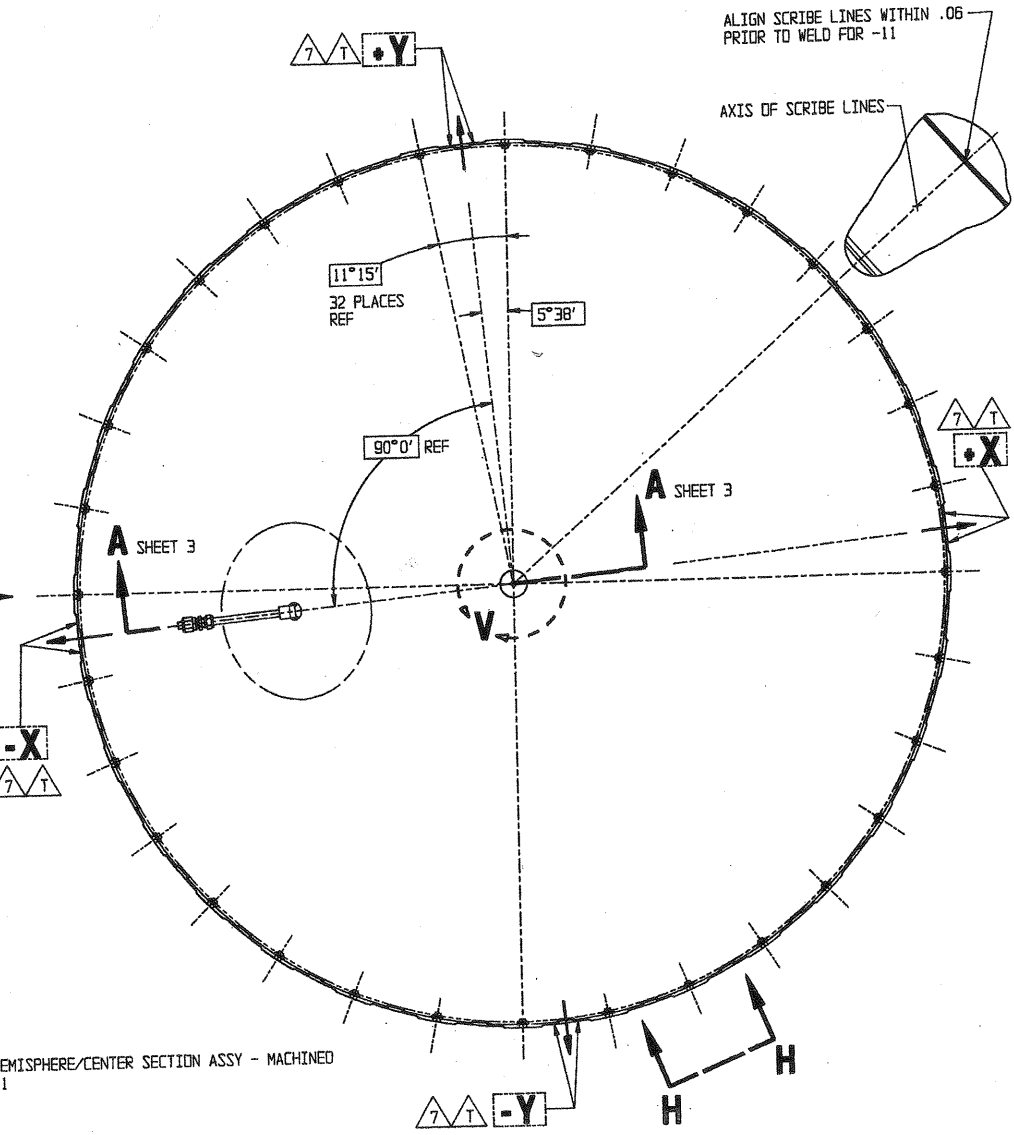
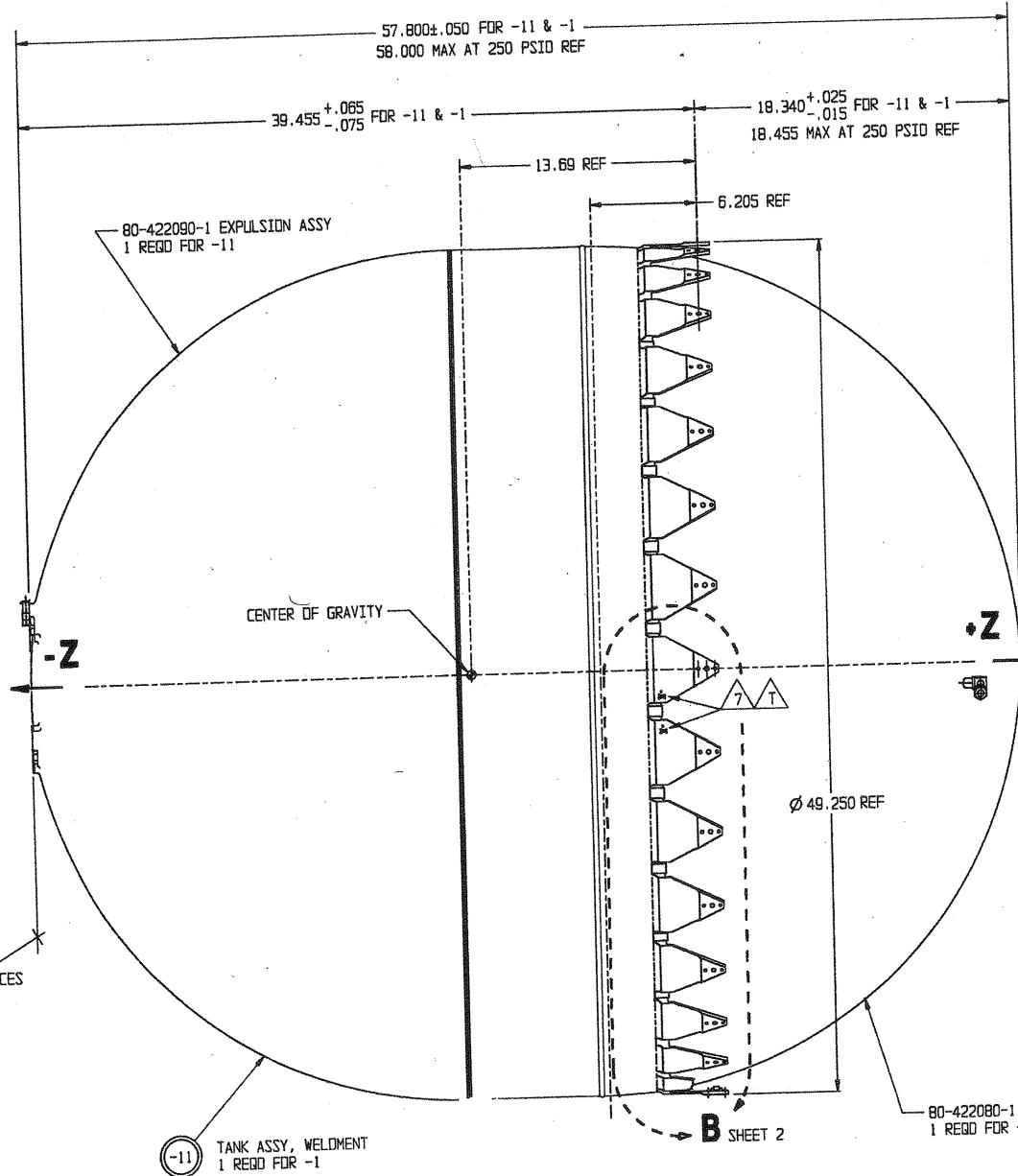
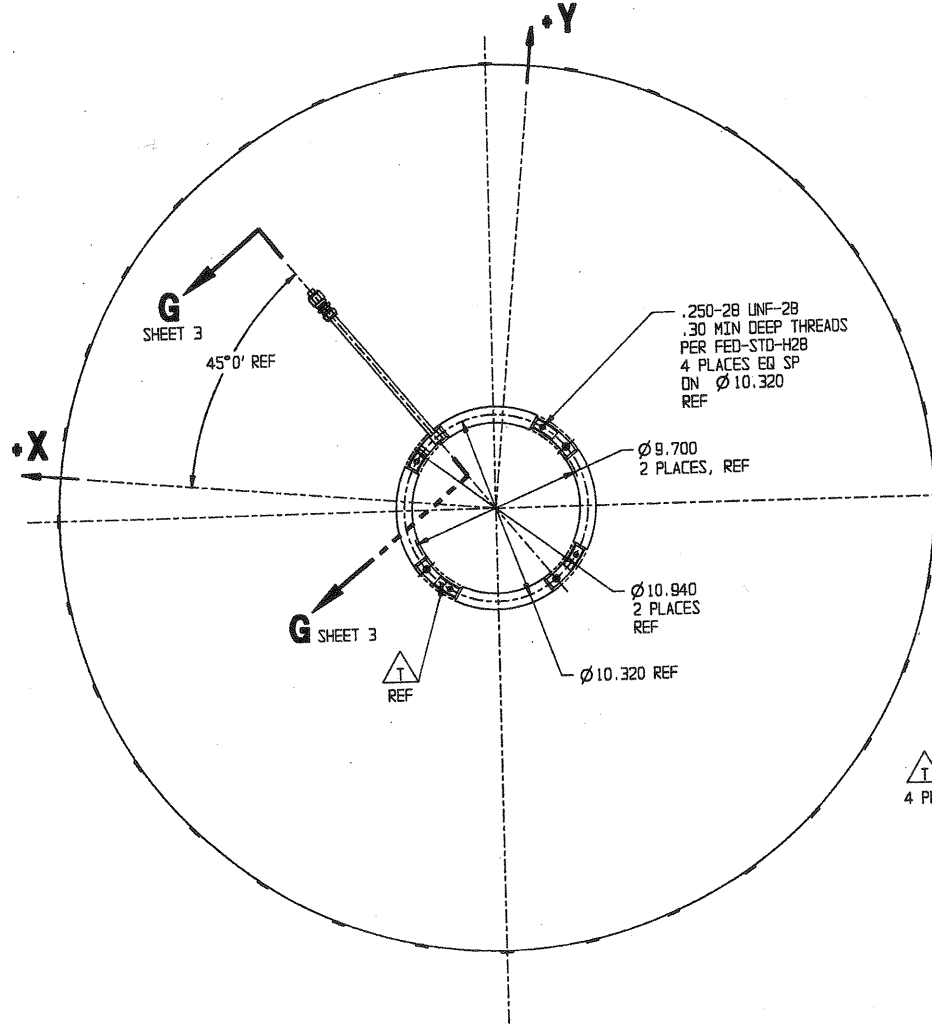
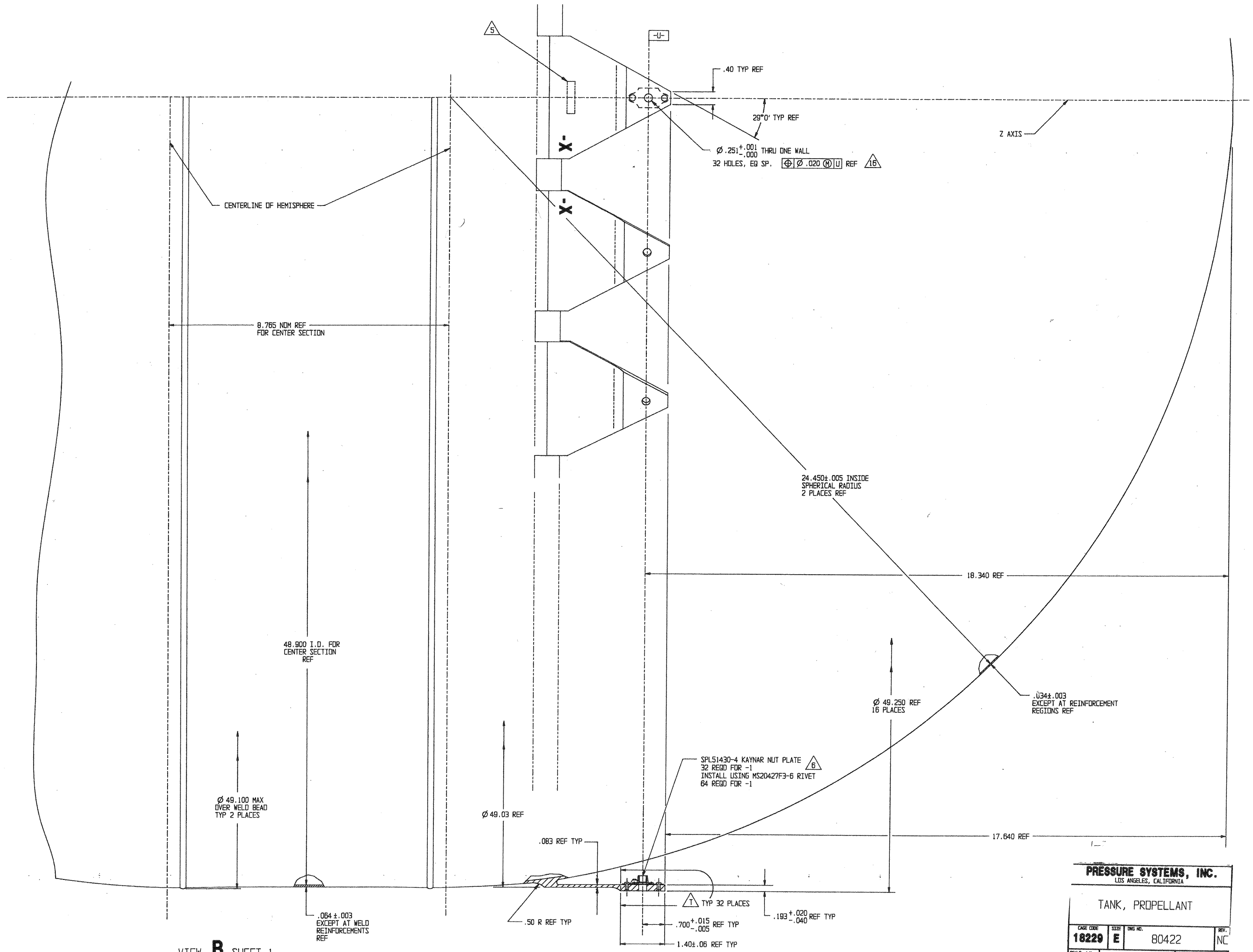


VIEW V
SCALE: 2/1



VIEW H-H
SCALE: 1/2

PRESSURE SYSTEMS, INC. LOS ANGELES, CALIFORNIA			
TANK, PROPELLANT			
CAGE CODE 18229	SIZE E	DWG NO. 80422	REV. NC
SCALE: 1/4	SHEET		1 OF 3



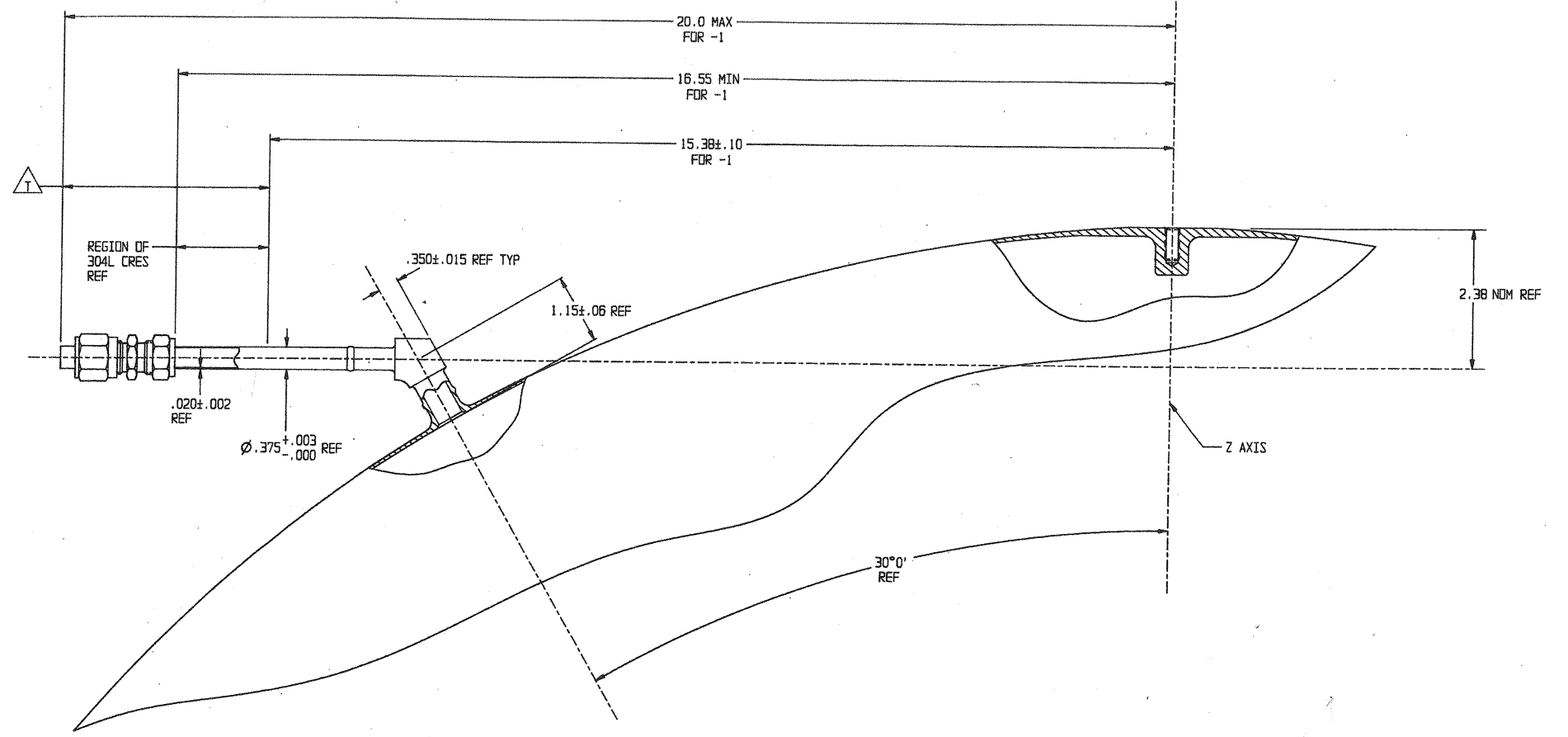
VIEW B SHEET 1

PRESSURE SYSTEMS, INC.
 LOS ANGELES, CALIFORNIA

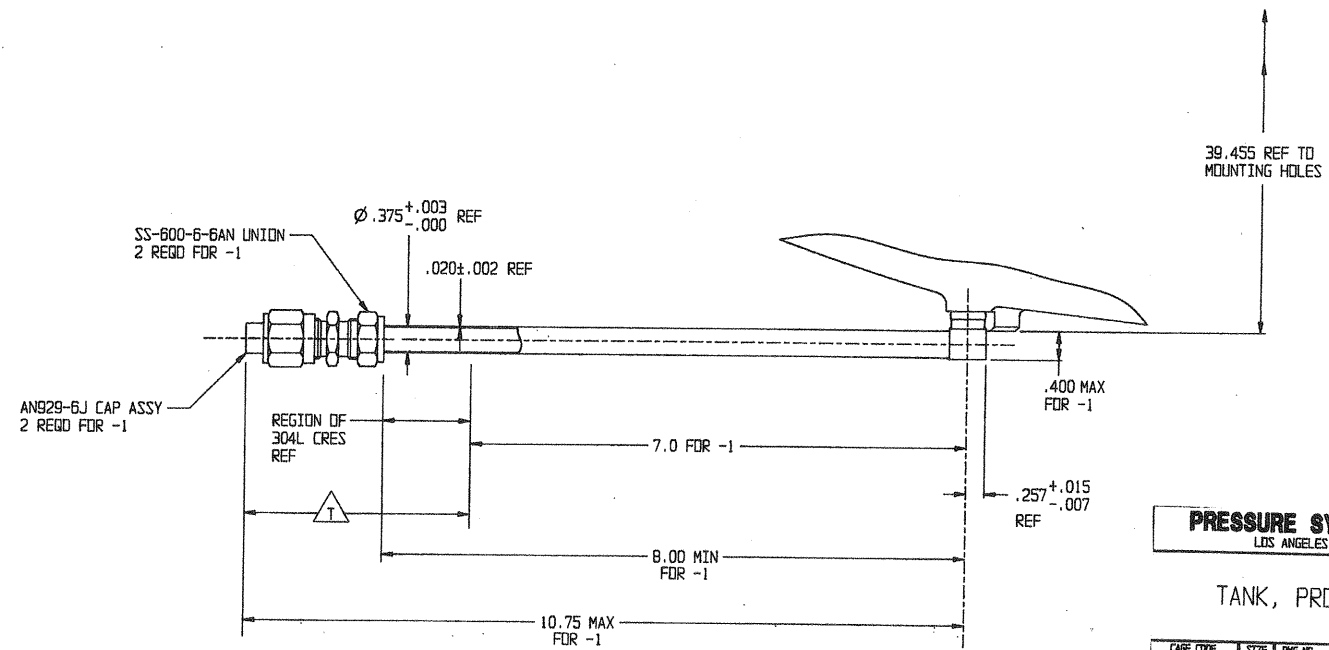
TANK, PROPELLANT

CAGE CODE	SIZE	ENG. NO.	REV.
18229	E	80422	NC

SCALE: 1/1 SHEET 2 OF 3



SECTION **A-A** SHEET 1
 VIEW ROTATED 5°37'30" CLOCKWISE



PRESSURE SYSTEMS, INC.
 LOS ANGELES, CALIFORNIA

TANK, PROPELLANT

CAGE CODE	SIZE	ENG. NO.	REV.
18229	E	80422	NC
SCALE: 1/1		SHEET 3 OF 3	