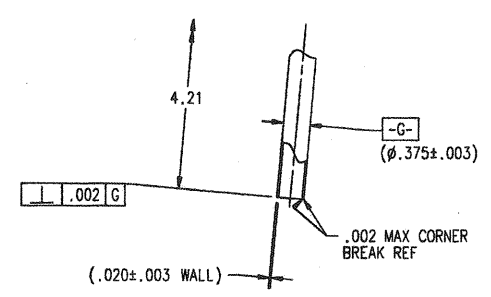
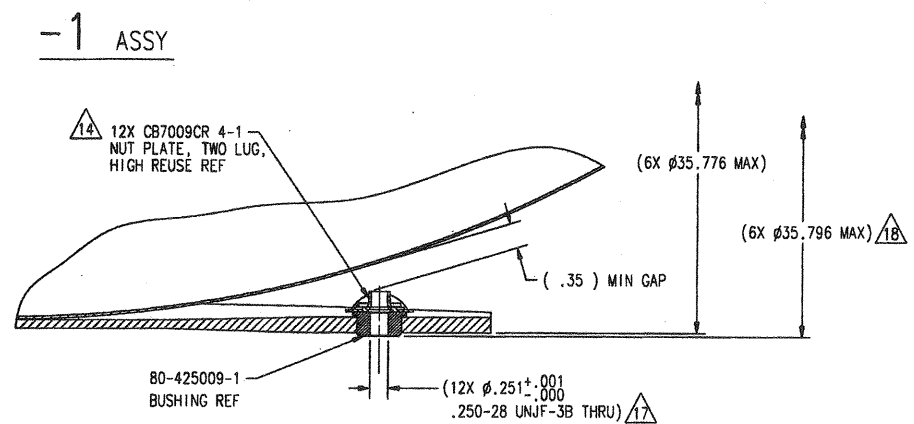


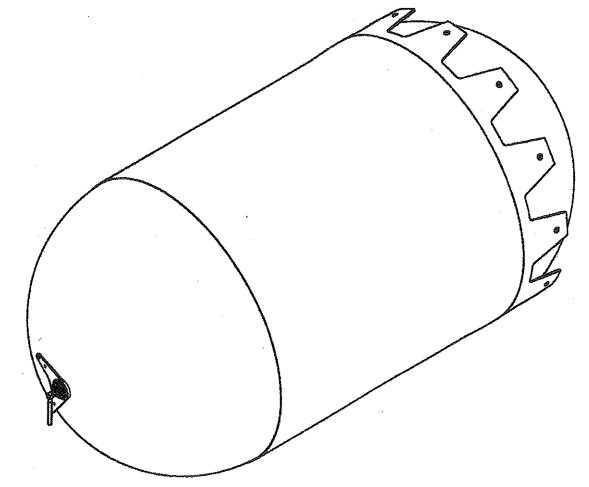
CAUTION: CHAMFER SIDE OF $\phi 1.3750$ BORE SHALL FACE TOWARDS OPPOSITE END OF TANK



VIEW F
TYP BOTH TUBES
SCALE: 1/1

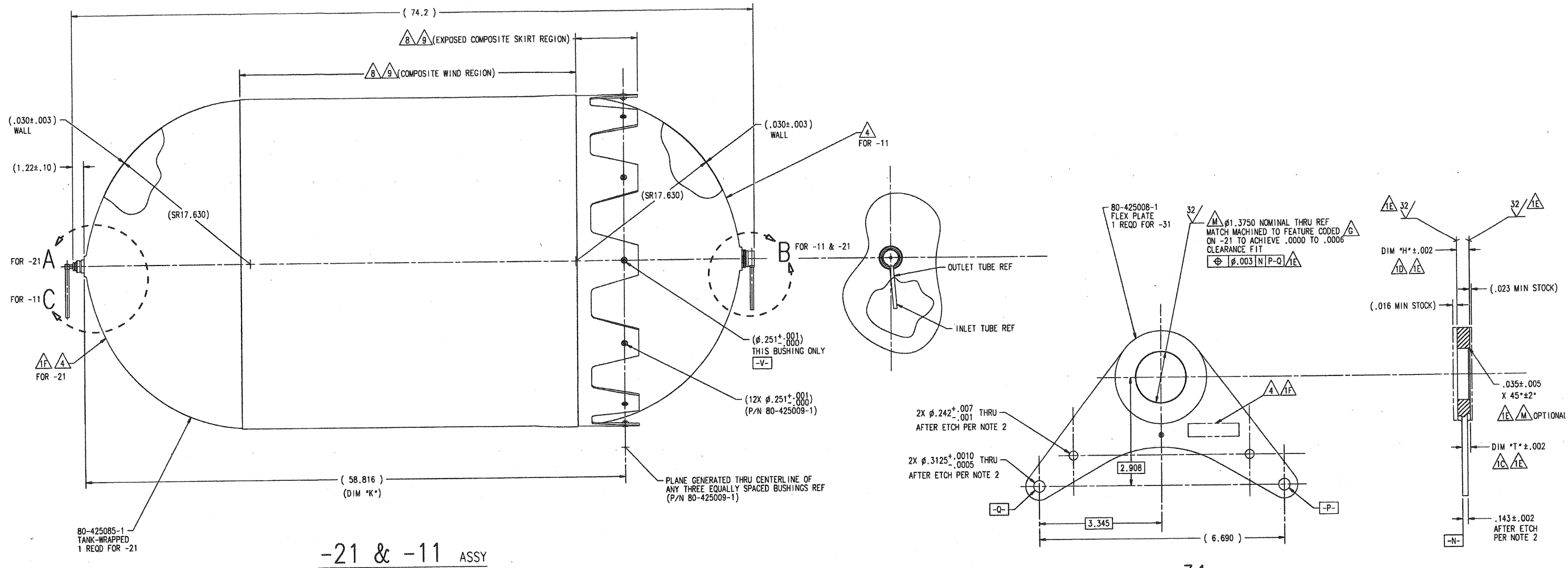


VIEW E
SCALE: 1/1

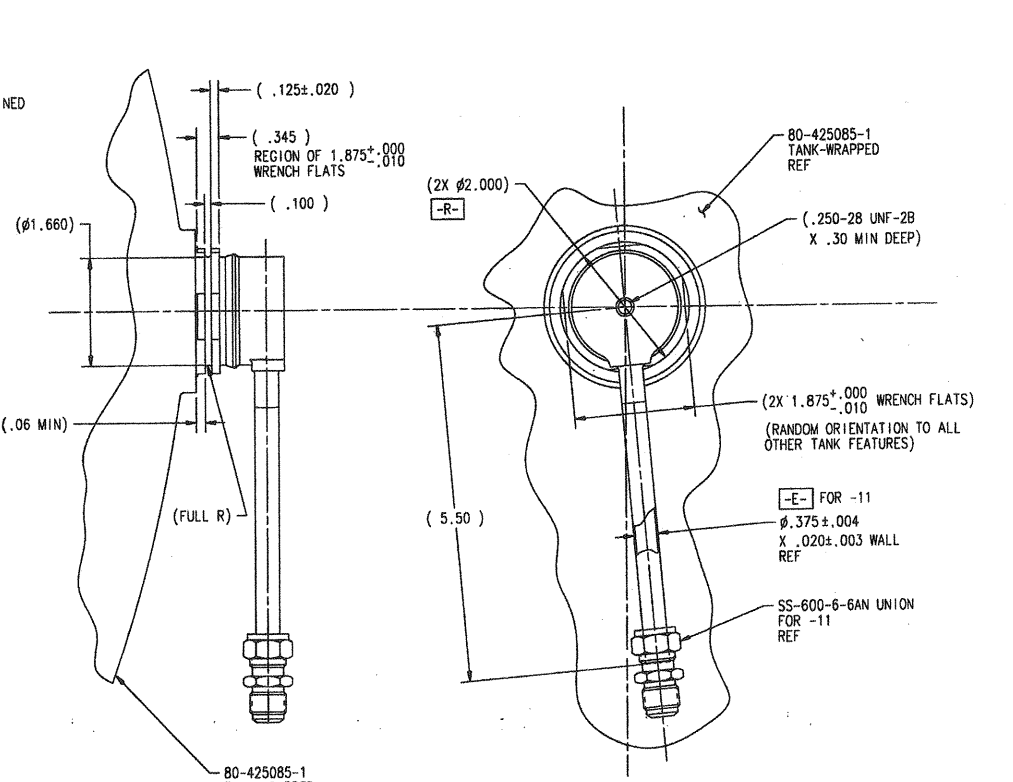
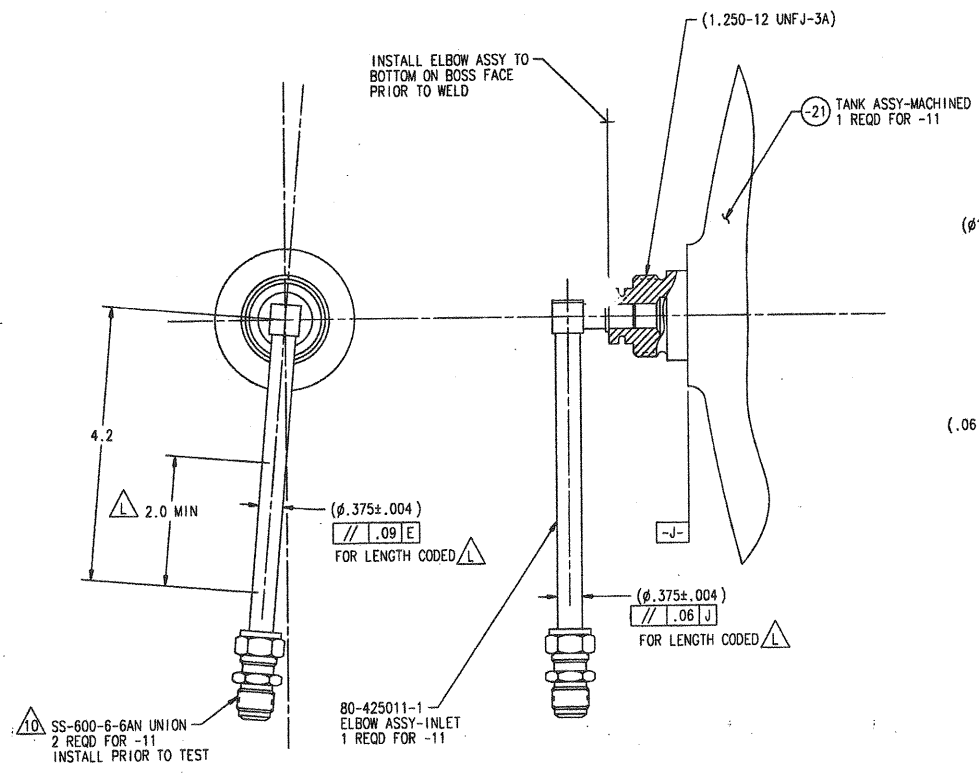
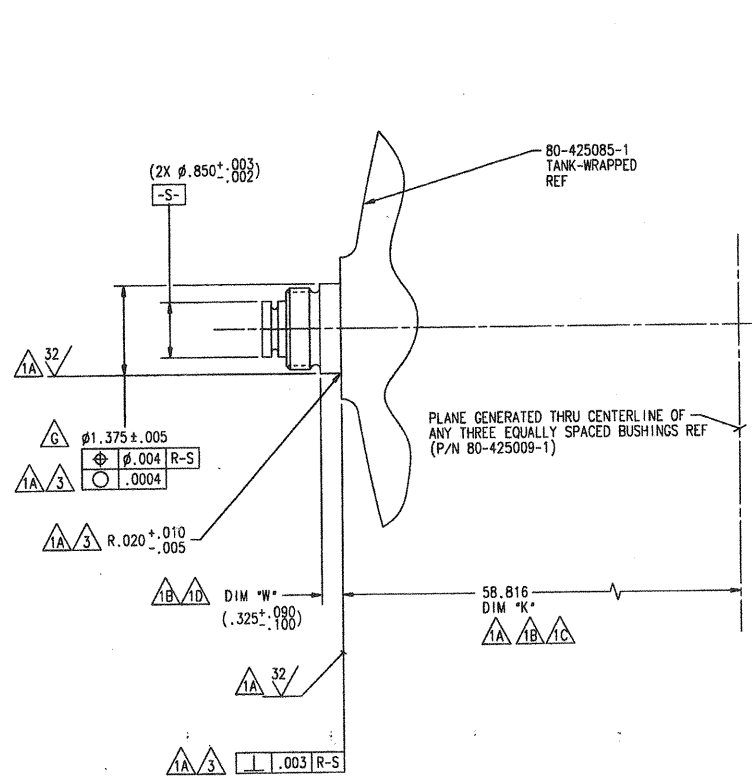


ISOMETRIC VIEW
SCALE: 1/8

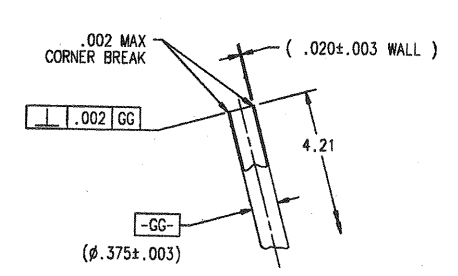
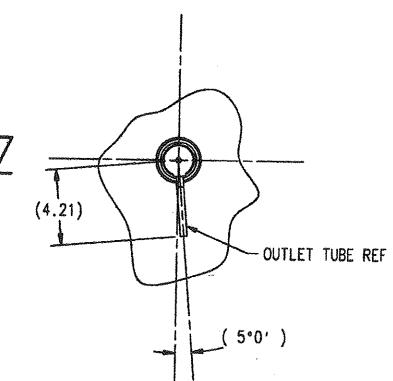
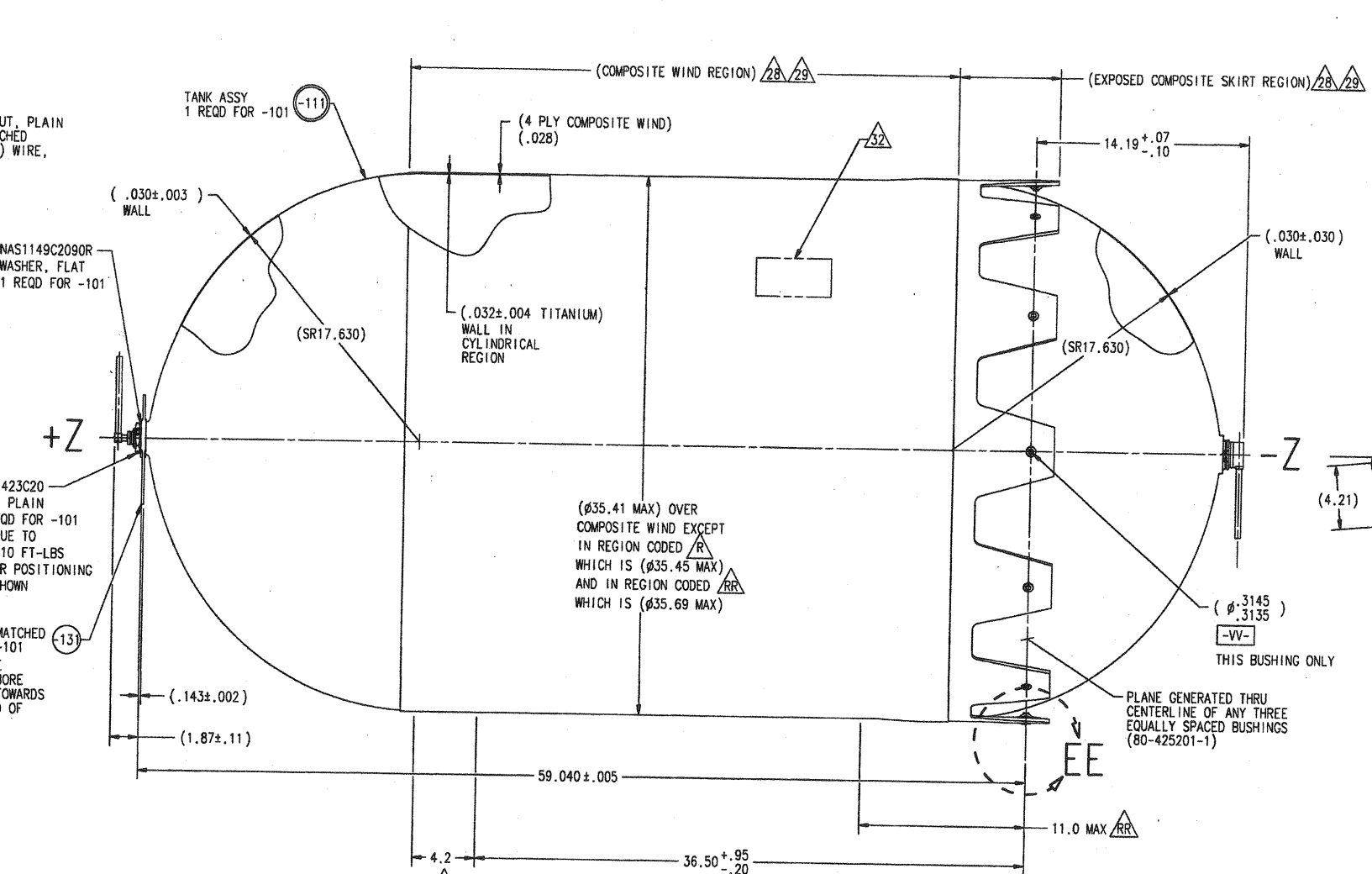
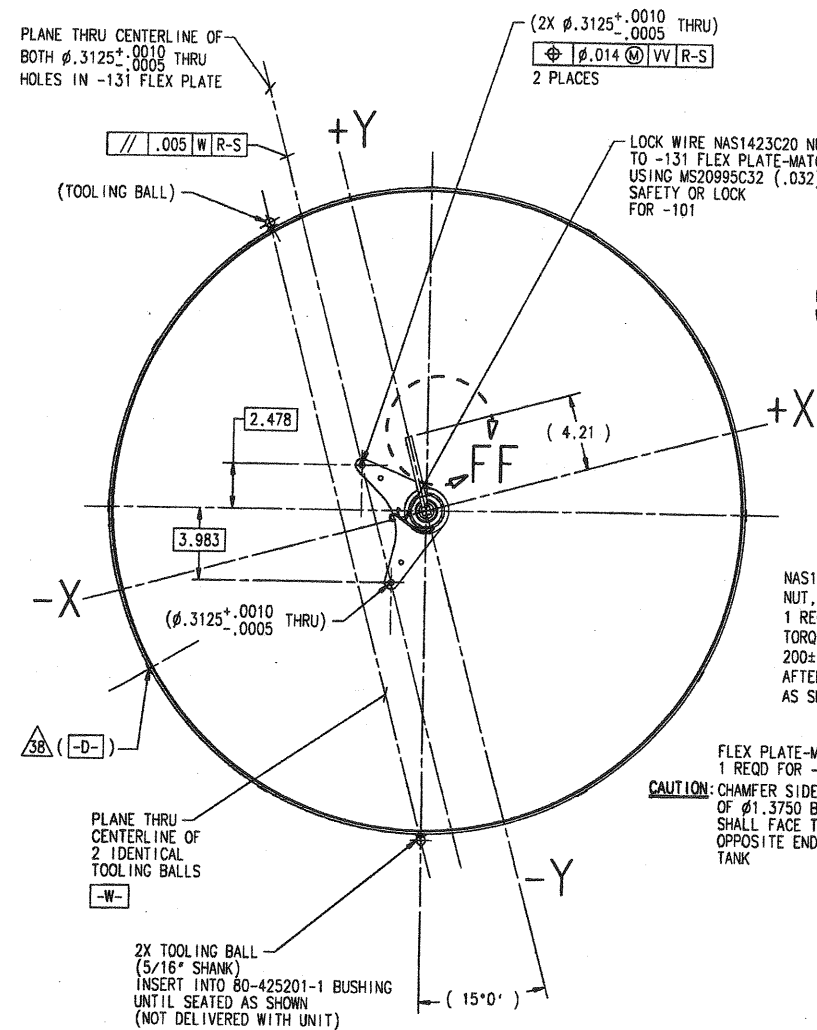
PRESSURE SYSTEMS, INC. LOS ANGELES, CALIFORNIA			
PROPELLANT TANK ASSY - HYDRAZINE			
CAGE CODE 18229	SIZE E	DRG NO. 80425	REV. B
SCALE: 1/4 & NOTED		SHEET 1 OF 4	



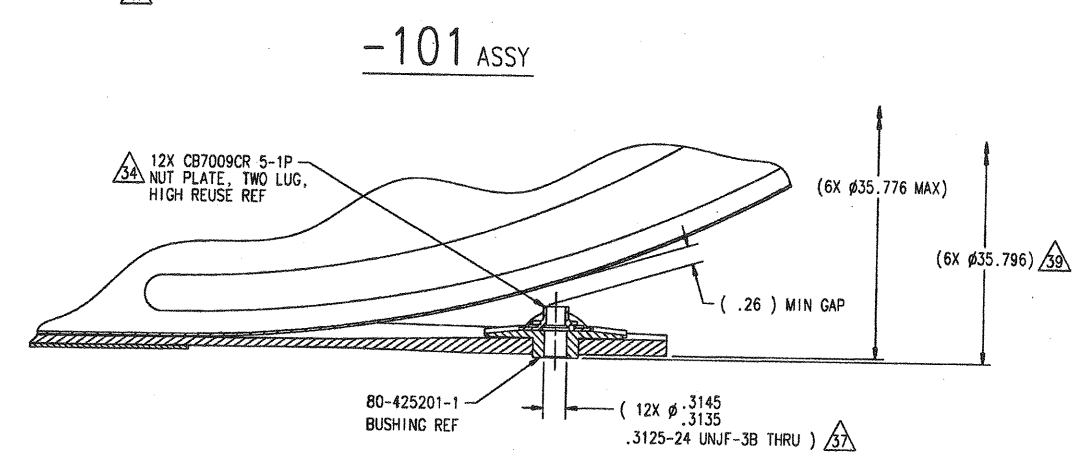
-21 & -11 ASSY



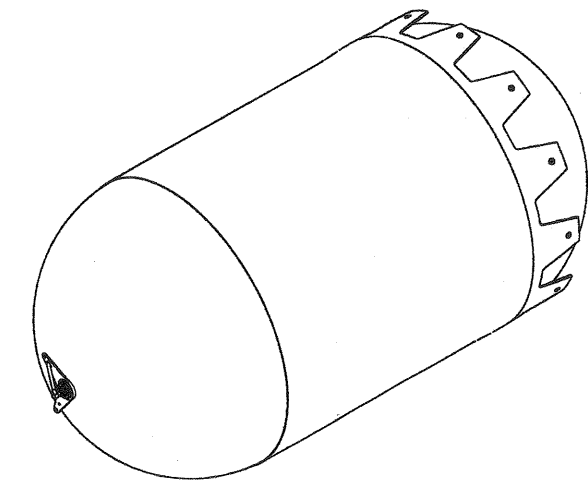
PRESSURE SYSTEMS, INC. LOS ANGELES, CALIFORNIA			
PROPELLANT TANK ASSY-HYDRAZINE			
DATE CODE	SIZE	DOC NO.	REV.
18229	E	80425	A
SHEET			2 OF 4



VIEW FF TYP FOR BOTH TUBES
SCALE: 1/1

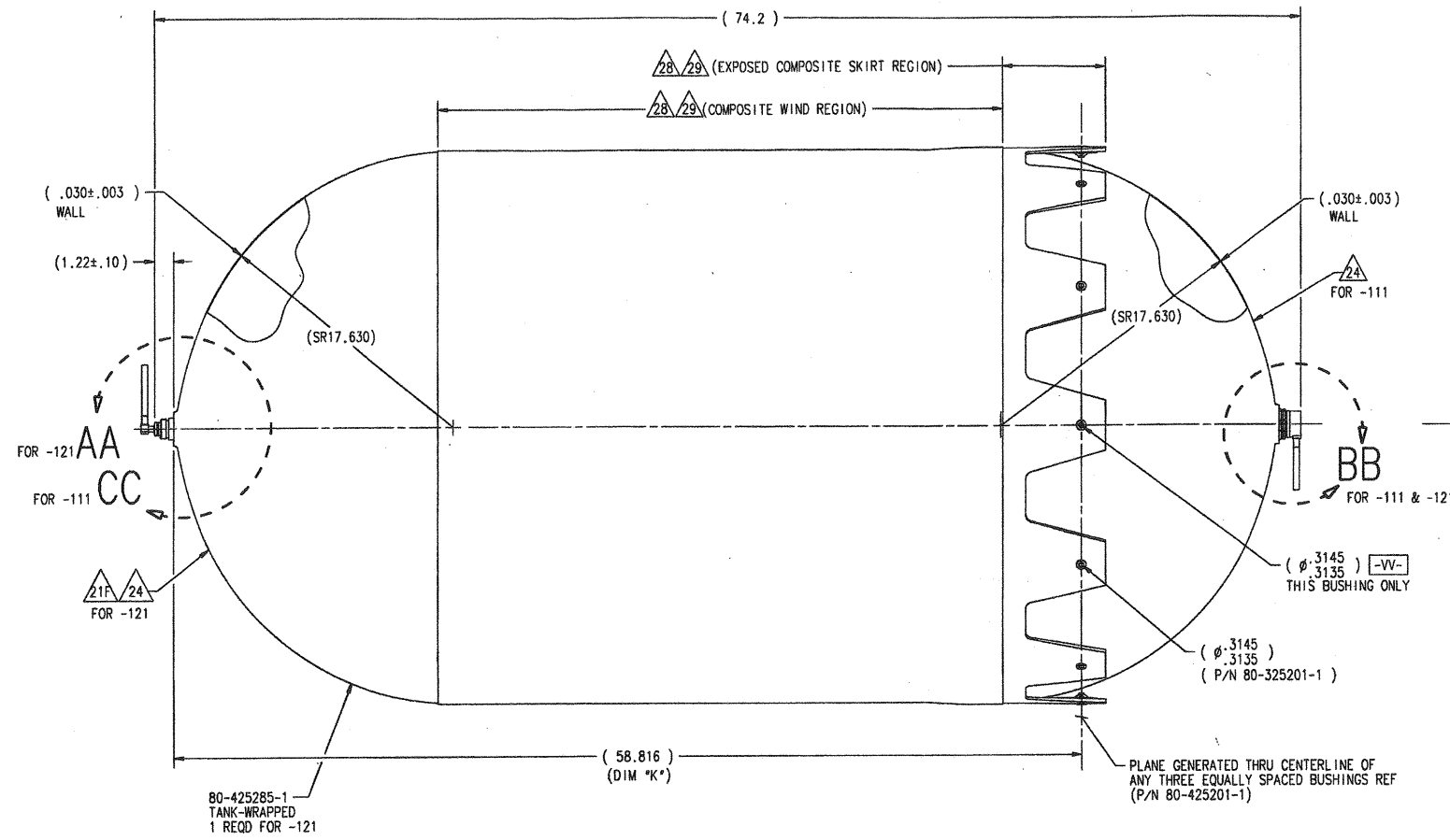


VIEW EE
SCALE: 1/1

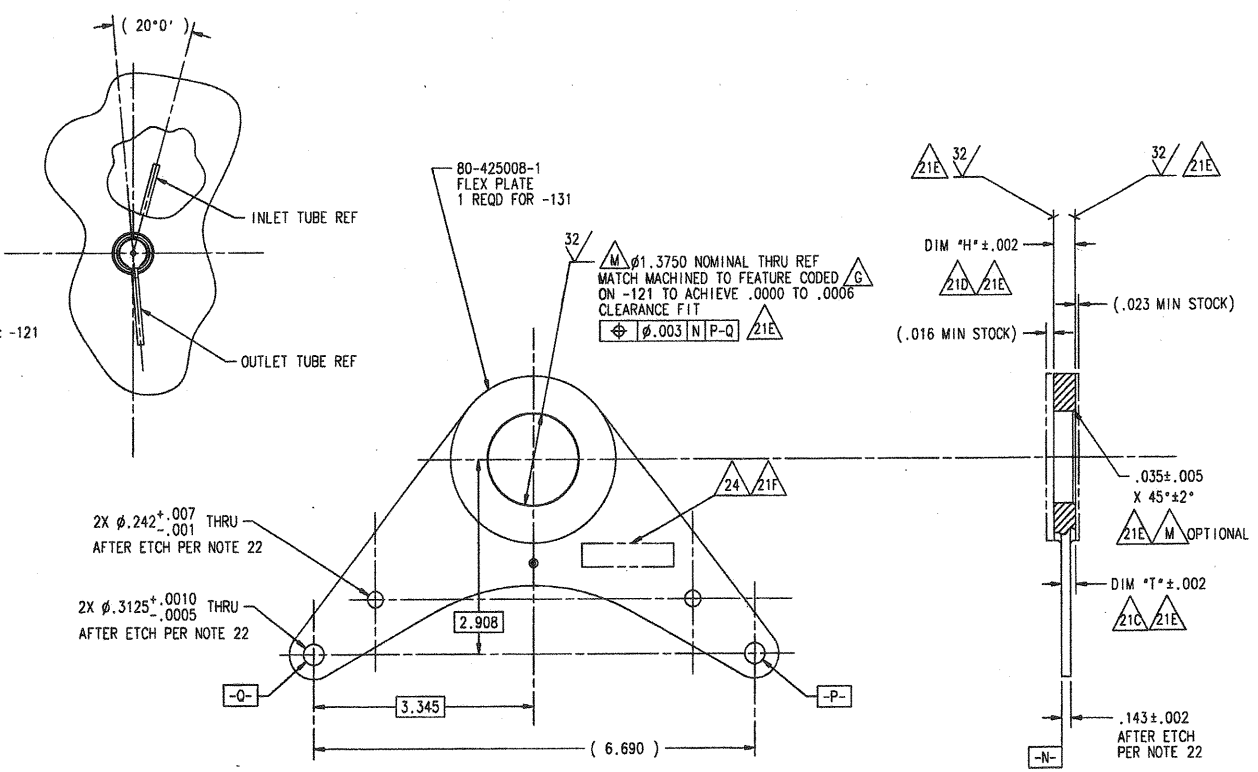


ISOMETRIC VIEW
SCALE: 1/8

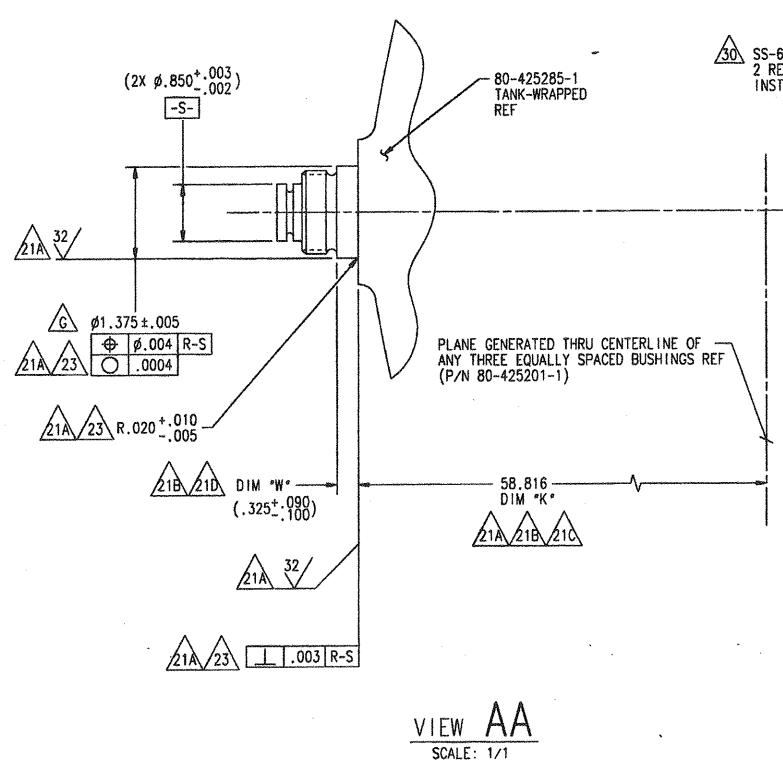
PRESSURE SYSTEMS, INC. LOS ANGELES, CALIFORNIA			
PROPELLANT TANK ASSY-HYDRAZINE			
CAGE CODE 18229	SIZE E	DRG NO. 80425	REV. A
SCALE: 1/4 & NOTED			SHEET 3 OF 4



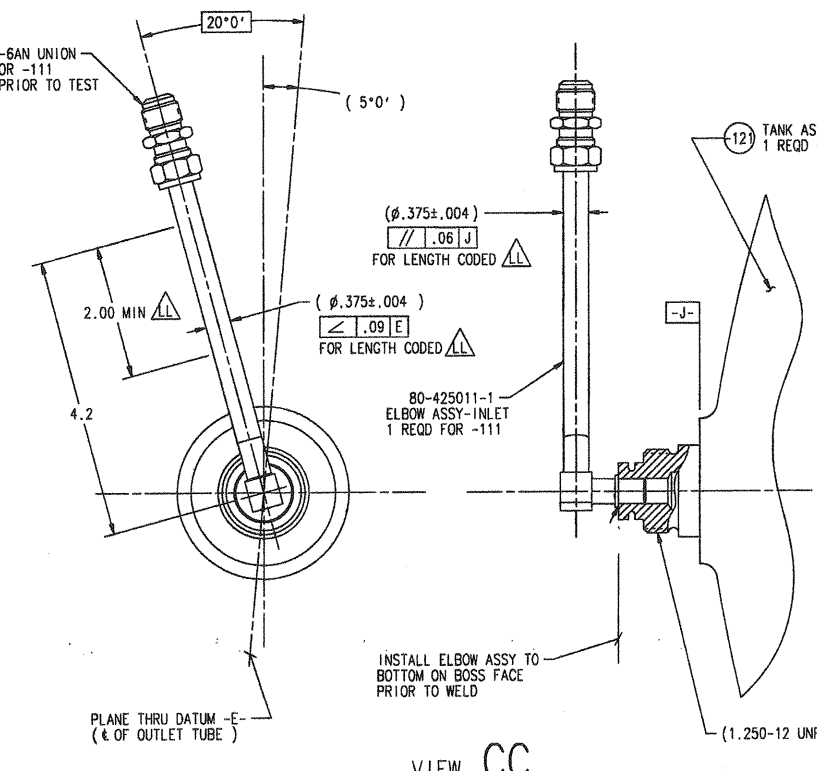
-121 & -111 ASSY



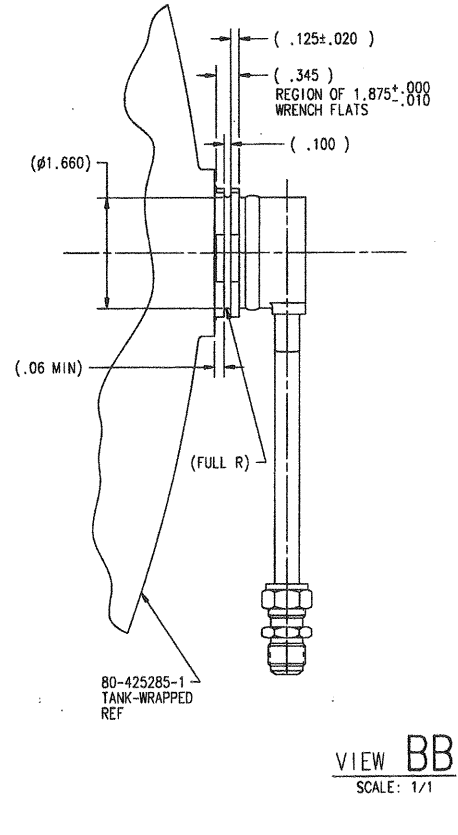
DETAIL -131
SCALE: 1/1



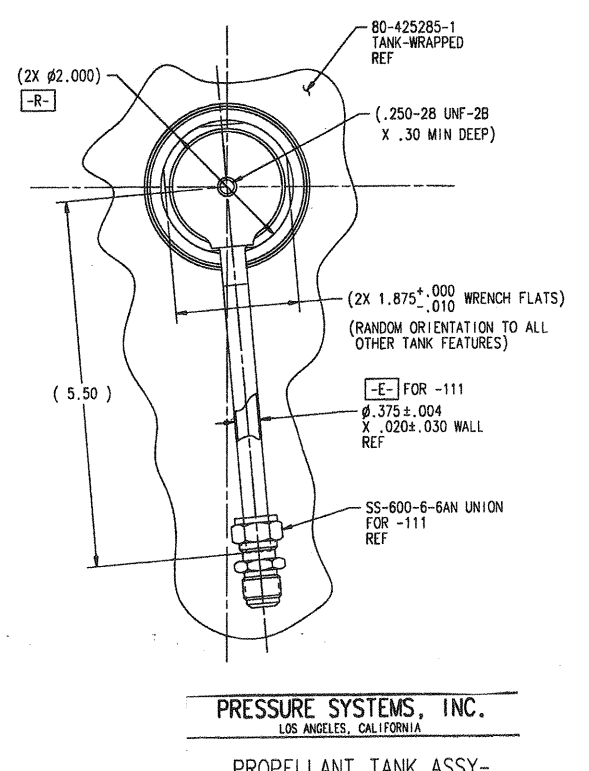
VIEW AA
SCALE: 1/1



VIEW CC
SCALE: 1/1



VIEW BB
SCALE: 1/1



PRESSURE SYSTEMS, INC.
LOS ANGELES, CALIFORNIA

PROPELLANT TANK ASSY-HYDRAZINE

CAGE CODE	SIZE	DRG NO.	REV.
18229	E	80425	A