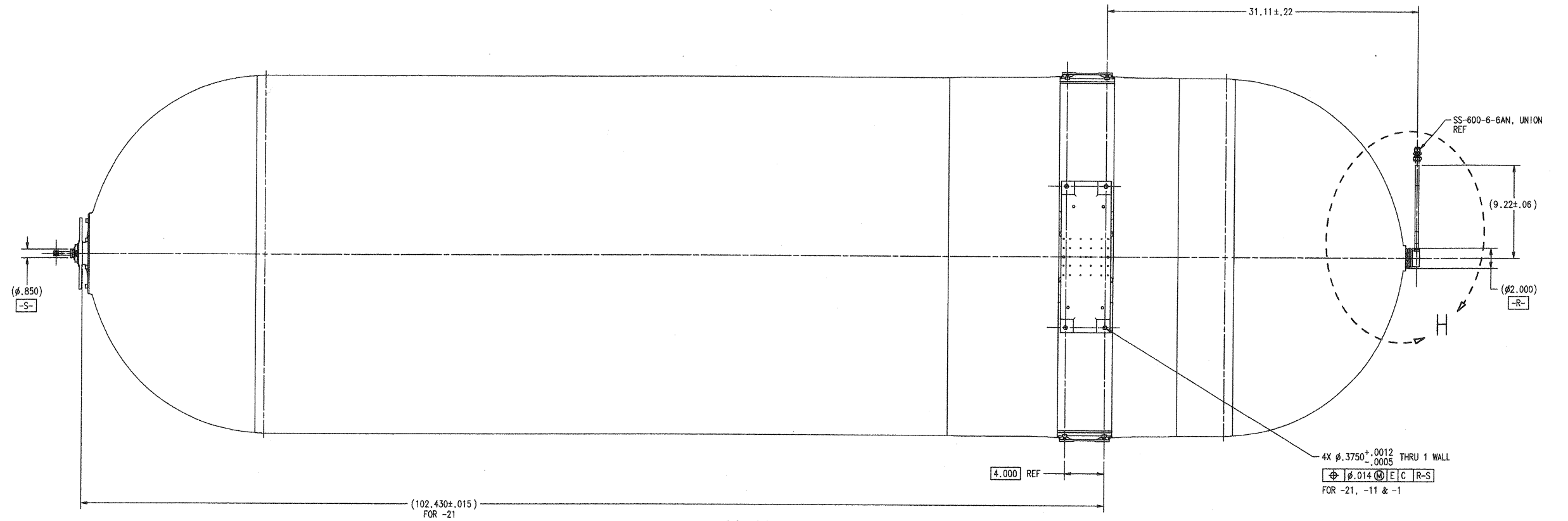
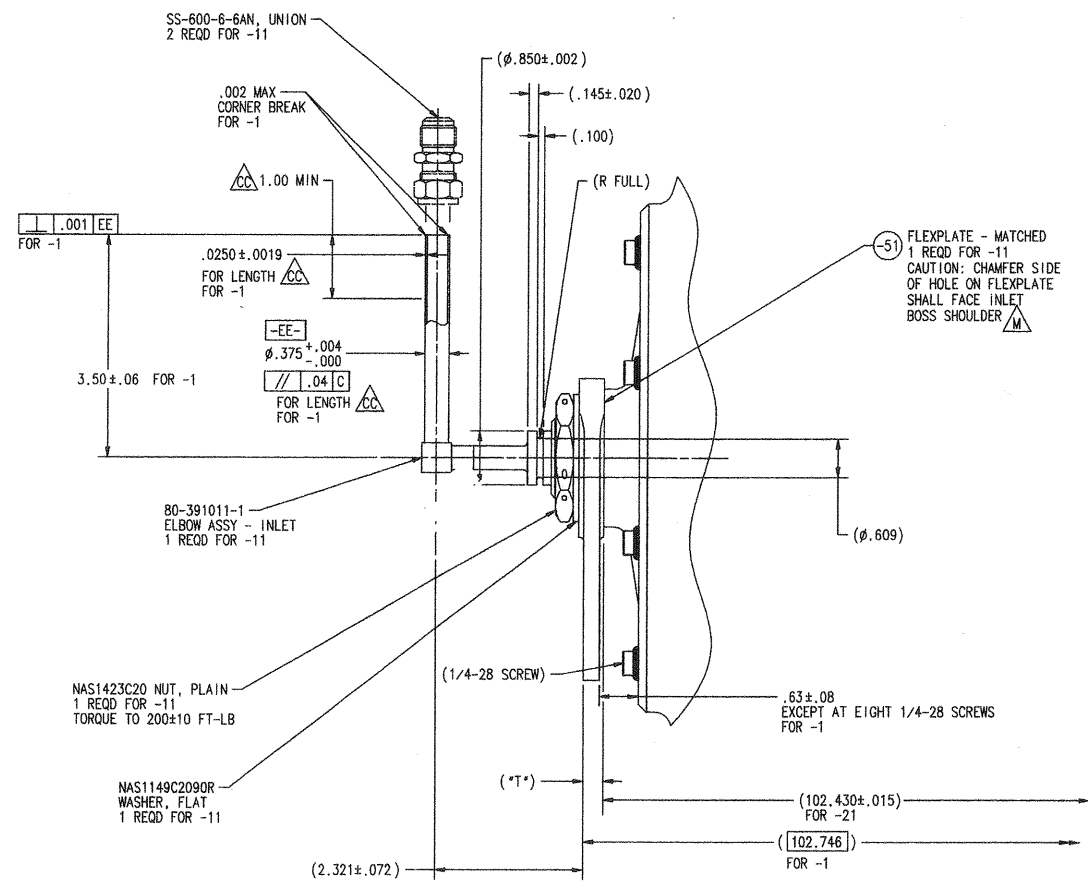


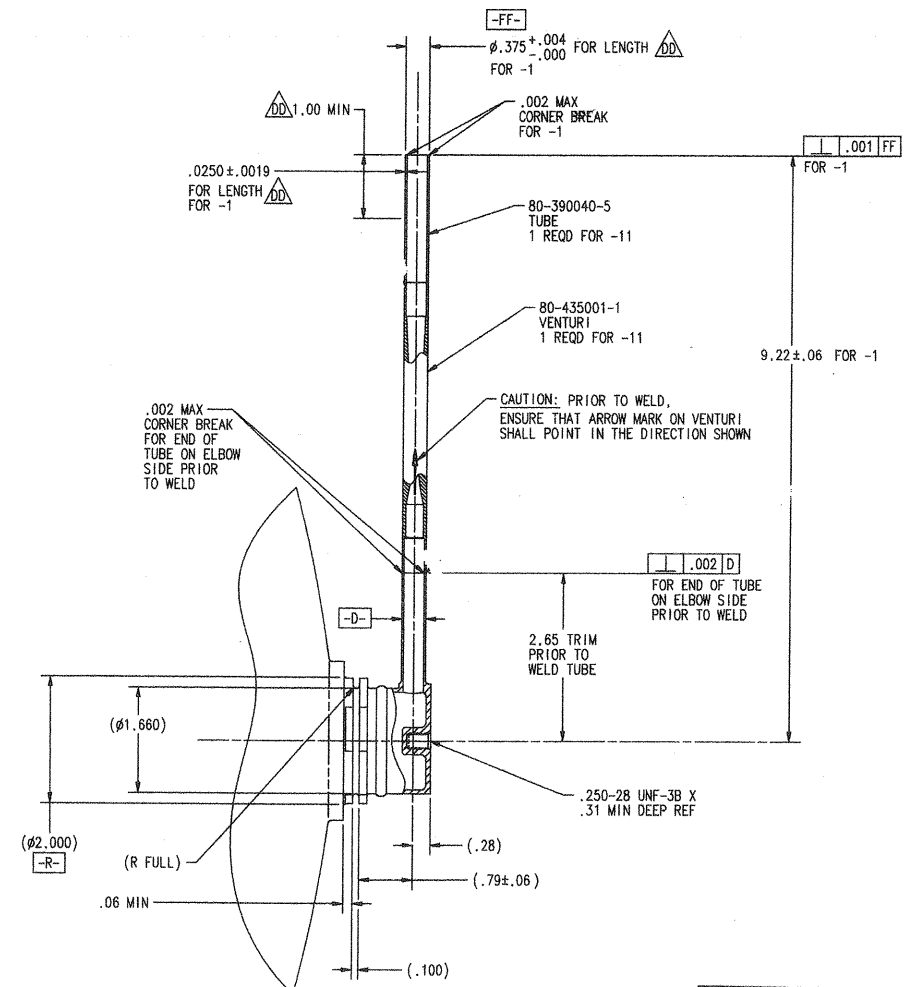
ATK SPACE SYSTEMS, INC.
 LOS ANGELES, CALIFORNIA
 HYDRAZINE PROPELLANT
 TANK ASSEMBLY
 CAGE CODE 18229 SIZE E DWG NO. 80434 REV. A
 SCALE: 1/4 SHEET 1 OF 4



VIEW N-N SHEET 1

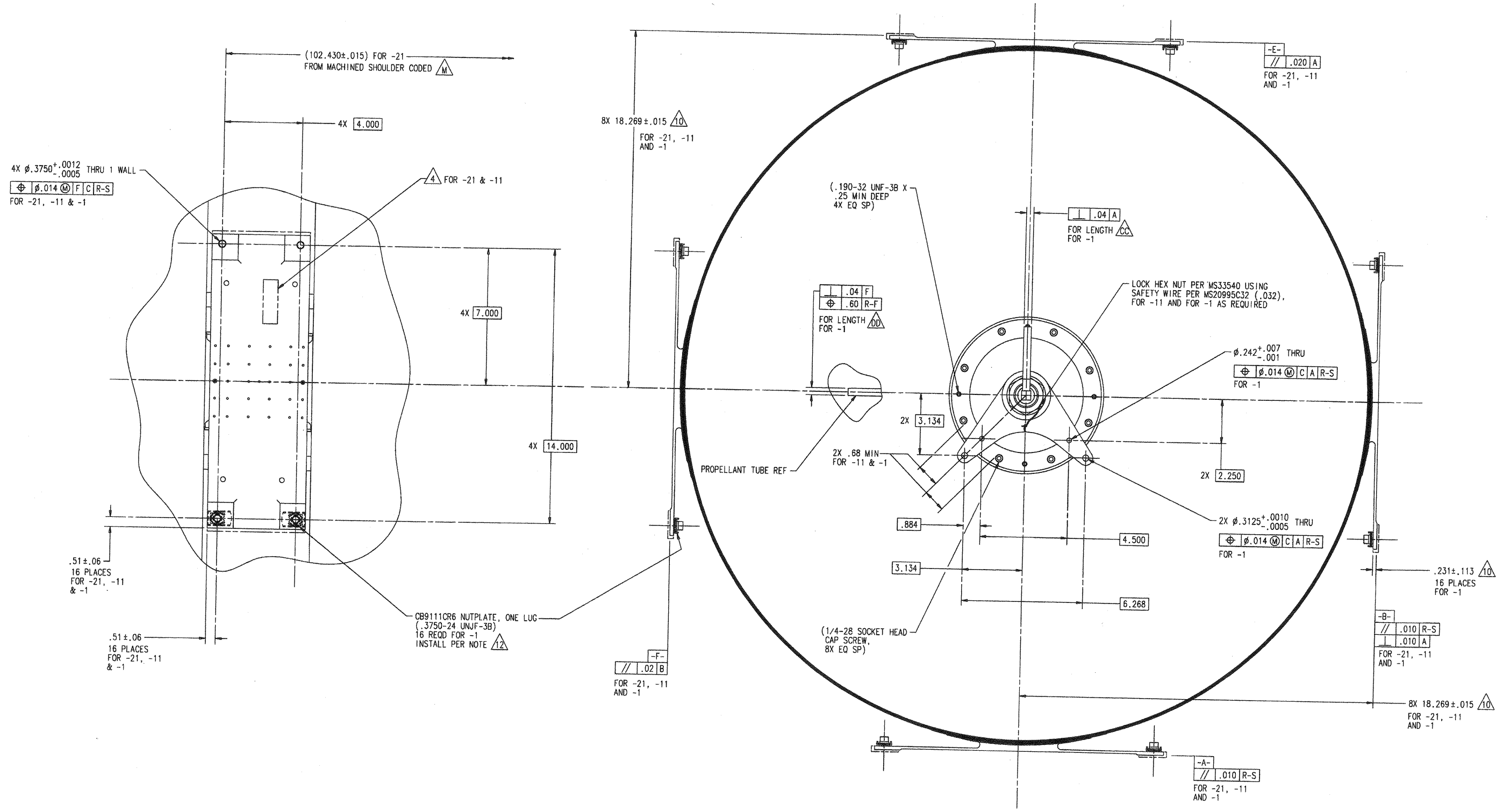


VIEW W SHEET 1
SCALE: 1/1



VIEW H
SCALE: 1/1

PRESSURE SYSTEMS, INC.			
LOS ANGELES, CALIFORNIA			
HYDRAZINE PROPELLANT TANK ASSEMBLY			
DATE CODE	SIZE	DWG NO.	REV.
18229	E	80434	NC
SCALE: 1/4 & NOTED			SHEET 2 OF 4



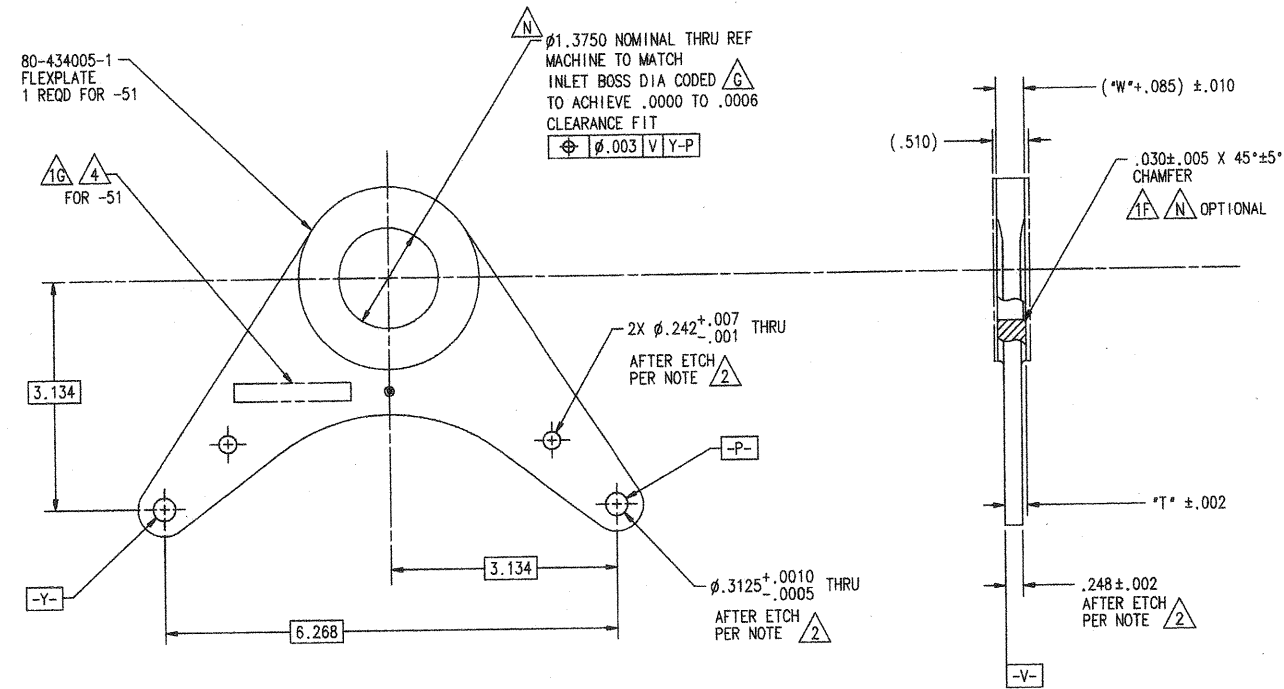
VIEW M-M SHEET 1

ATK SPACE SYSTEMS, INC.
 LOS ANGELES, CALIFORNIA

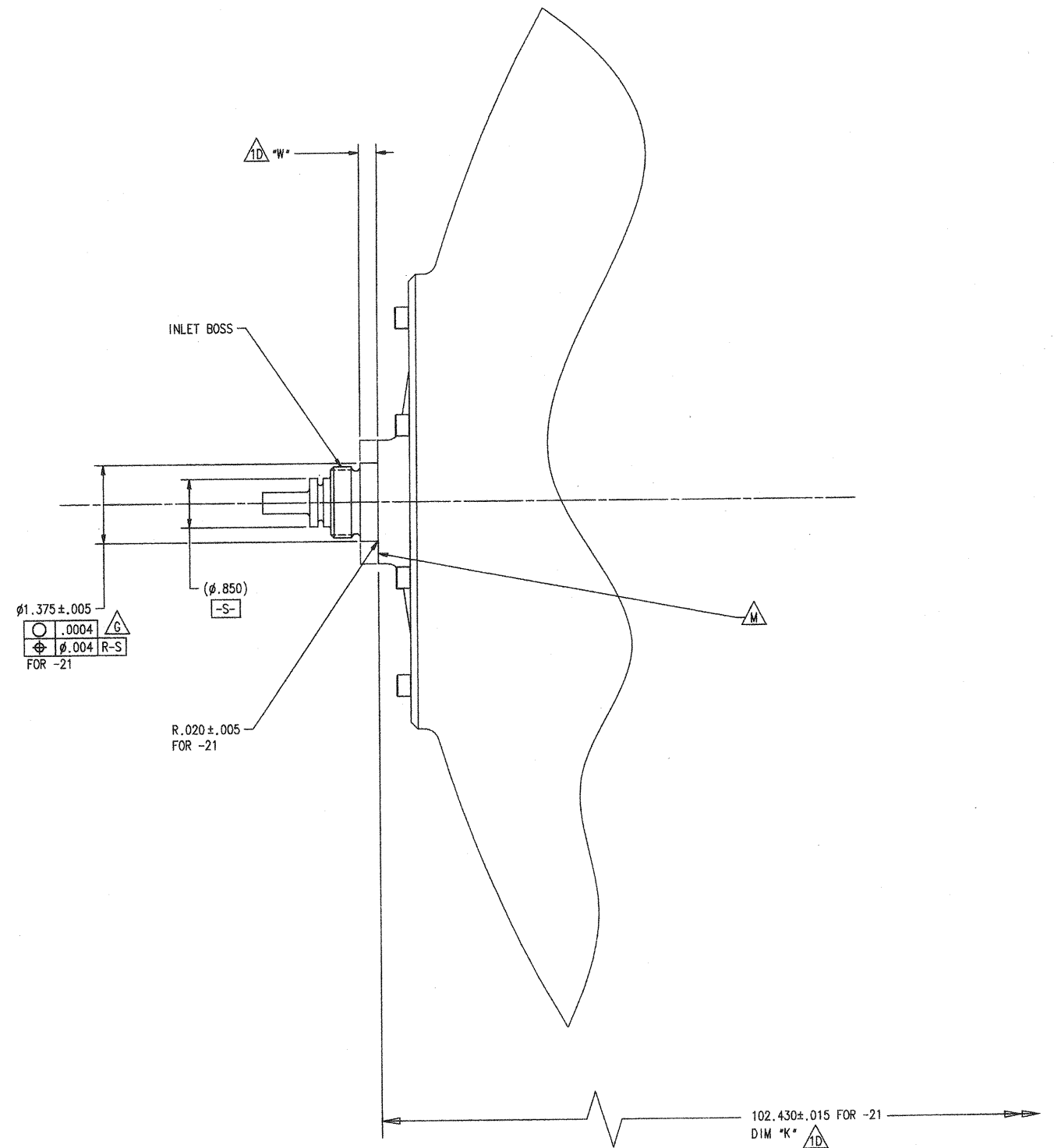
HYDRAZINE PROPELLANT
 TANK ASSEMBLY

CAGE CODE	SIZE	DWG NO.	REV.
18229	E	80434	A

SCALE: 1/2 SHEET 3 OF 4



DETAIL -51



VIEW GG SHEET 1 FOR -21

-51 FLEXPLATE - MATCHED, NAS1149C2090R WASHER
NAS1423C20 NUT AND 80-391011-1 ELBOW ASSY - INLET
OMITTED FOR CLARITY

PRESSURE SYSTEMS, INC. LOS ANGELES, CALIFORNIA			
HYDRAZINE PROPELLANT TANK ASSEMBLY			
CAGE CODE 18229	SIZE E	QTY NO. 80434	REV. NC
SCALE: 1/1		SHEET 4 OF 4	