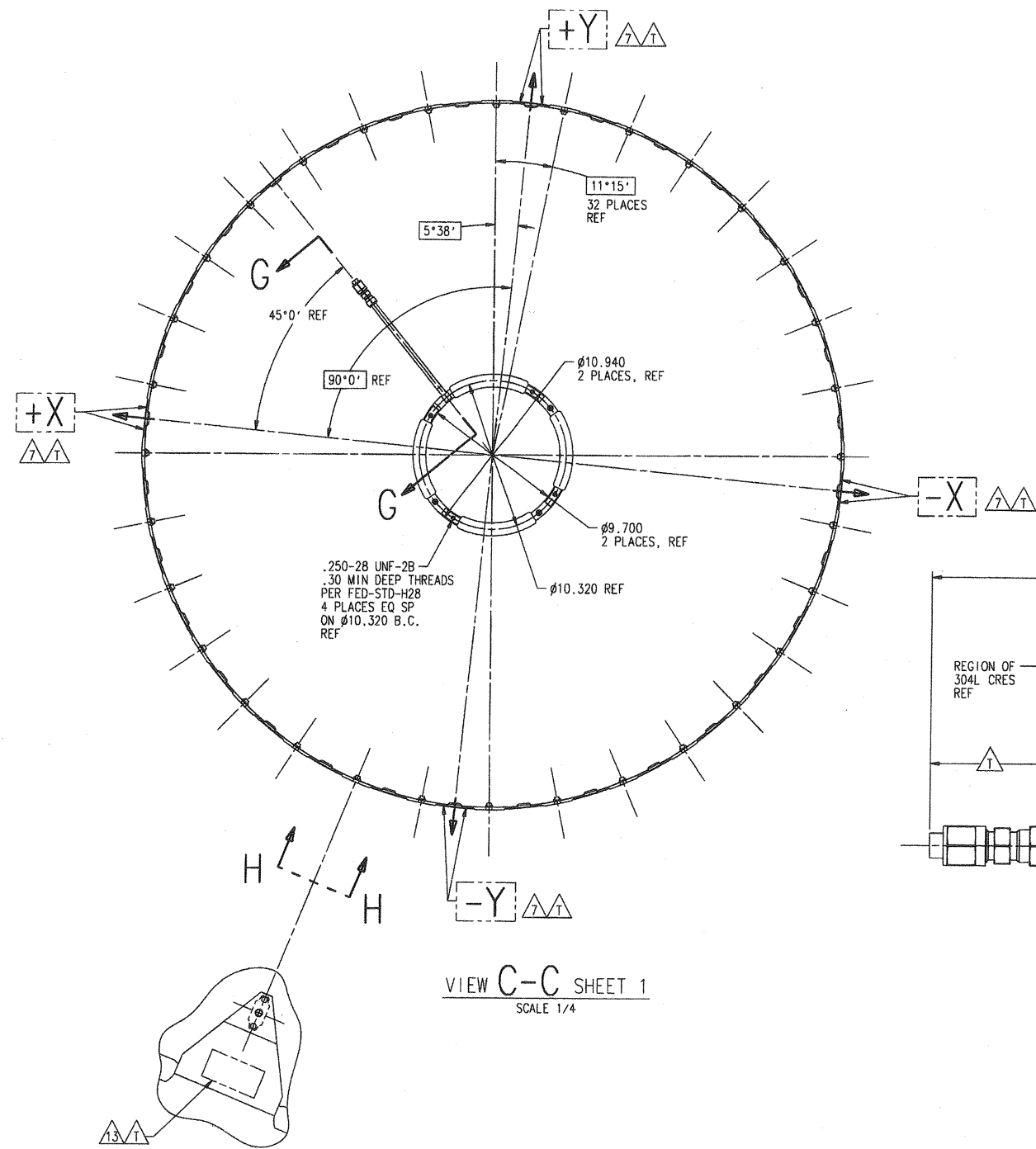
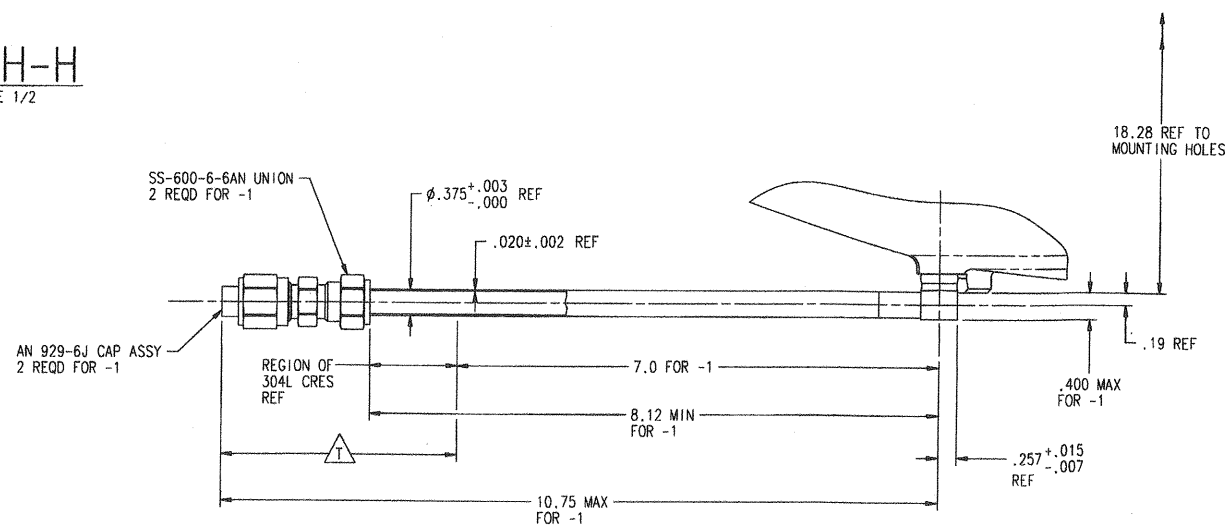
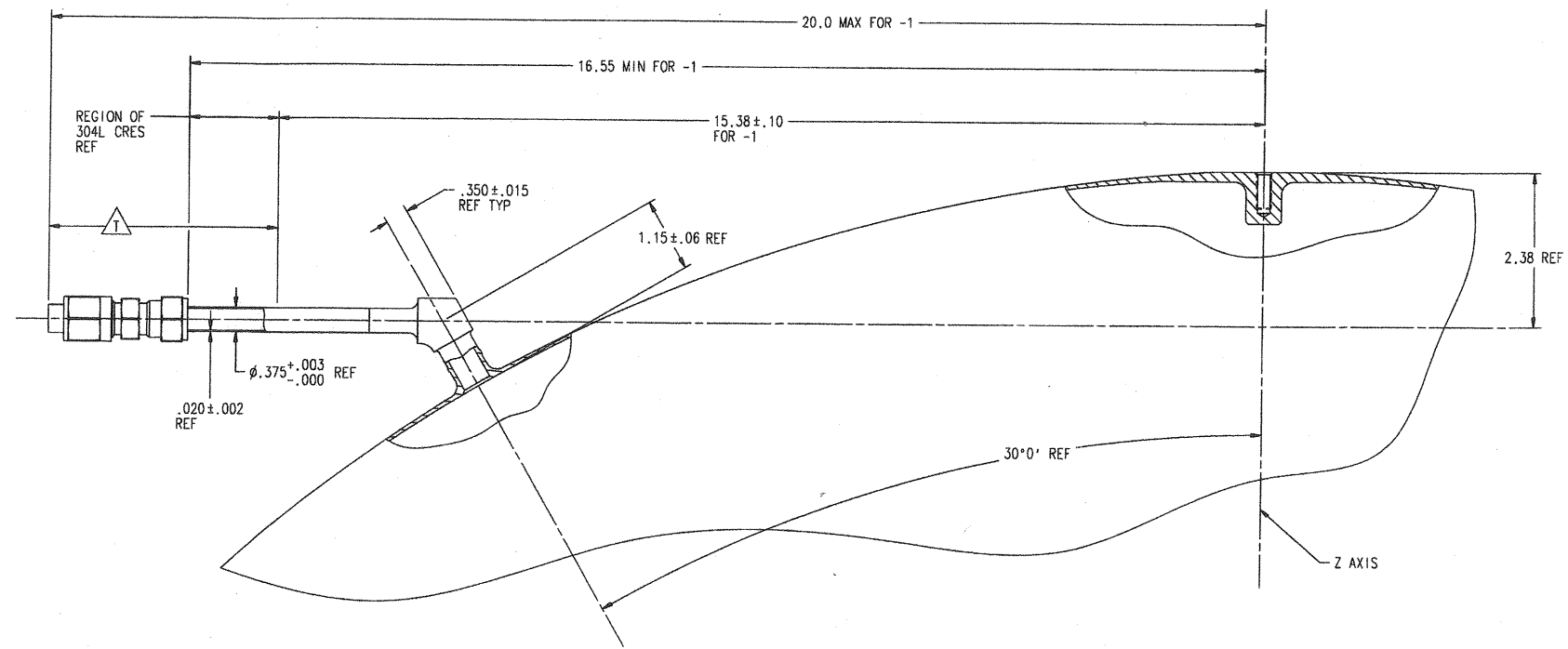


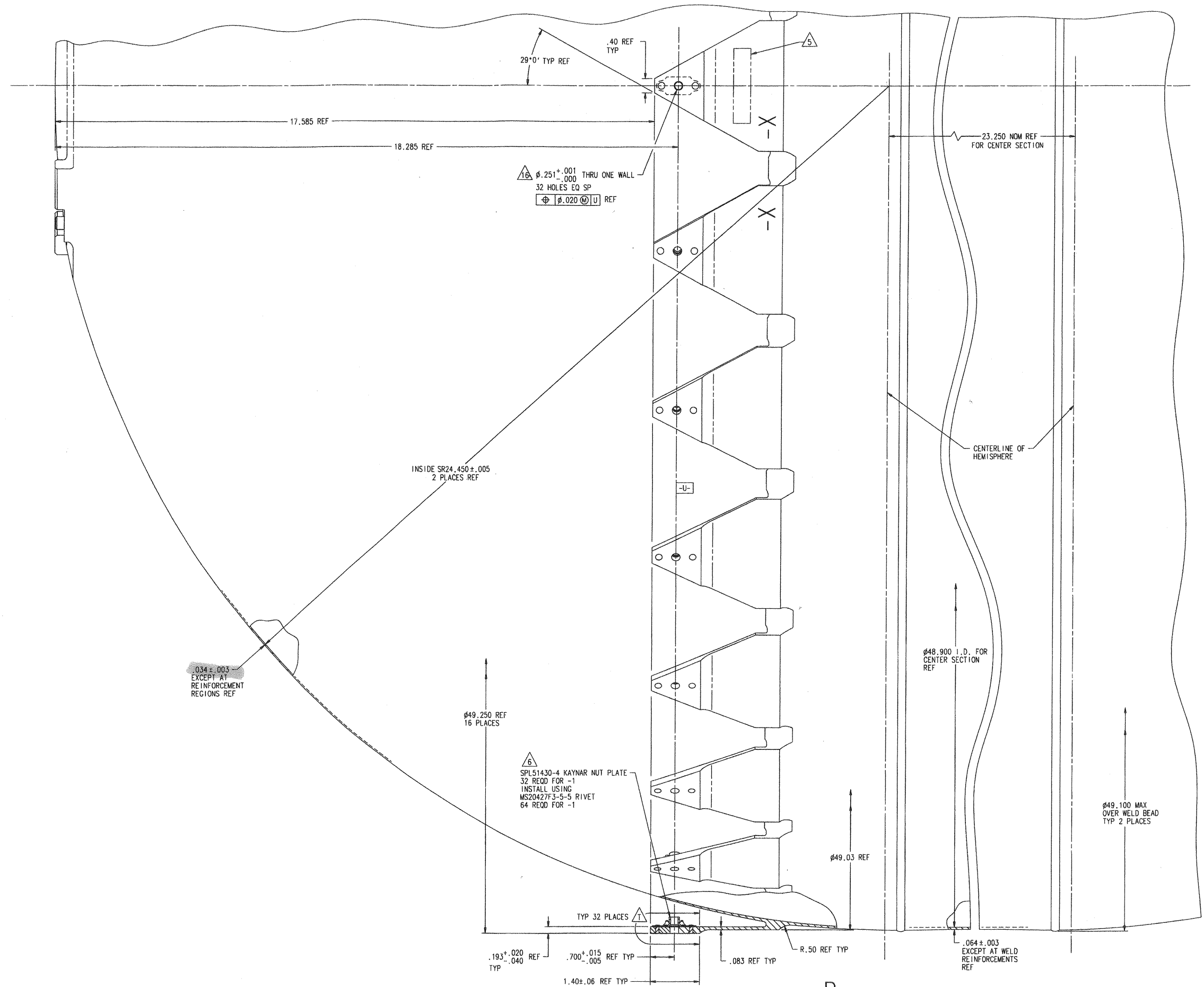
ATK SPACE SYSTEMS, INC. LOS ANGELES, CALIFORNIA			
TANK, PROPELLANT			
CAGE CODE 18229	SIZE E	ING NO. 80517	REV. B
SCALE: 1/4	SHEET		1 OF 3



VIEW H-H  
SCALE 1/2



ATK SPACE SYSTEMS, INC.			
LOS ANGELES, CALIFORNIA			
TANK, PROPELLANT			
CAGE CODE	SIZE	DWG NO.	REV.
18229	E	80517	NC
SCALE: 1/4	SHEET		2 OF 3



16  $\phi .251^{+.001}_{-.000}$  THRU ONE WALL  
 32 HOLES EQ SP  
 $\phi .020$  U REF

INSIDE SR24.450 ± .005  
 2 PLACES REF

.034 ± .003  
 EXCEPT AT  
 REINFORCEMENT  
 REGIONS REF

6  
 SPL51430-4 KAYNAR NUT PLATE  
 32 REQD FOR -1  
 INSTALL USING  
 MS20427F3-5-5 RIVET  
 64 REQD FOR -1

.193<sup>+</sup>.020 REF  
 TYP

.700<sup>+</sup>.015 REF TYP  
 -.005

.083 REF TYP

R.50 REF TYP

.064 ± .003  
 EXCEPT AT WELD  
 REINFORCEMENTS  
 REF

VIEW B SHEET 1

ATK SPACE SYSTEMS, INC. LOS ANGELES, CALIFORNIA			
TANK, PROPELLANT			
DATE CODE	SIZE	DWG NO.	REV.
18229	E	80517	NC