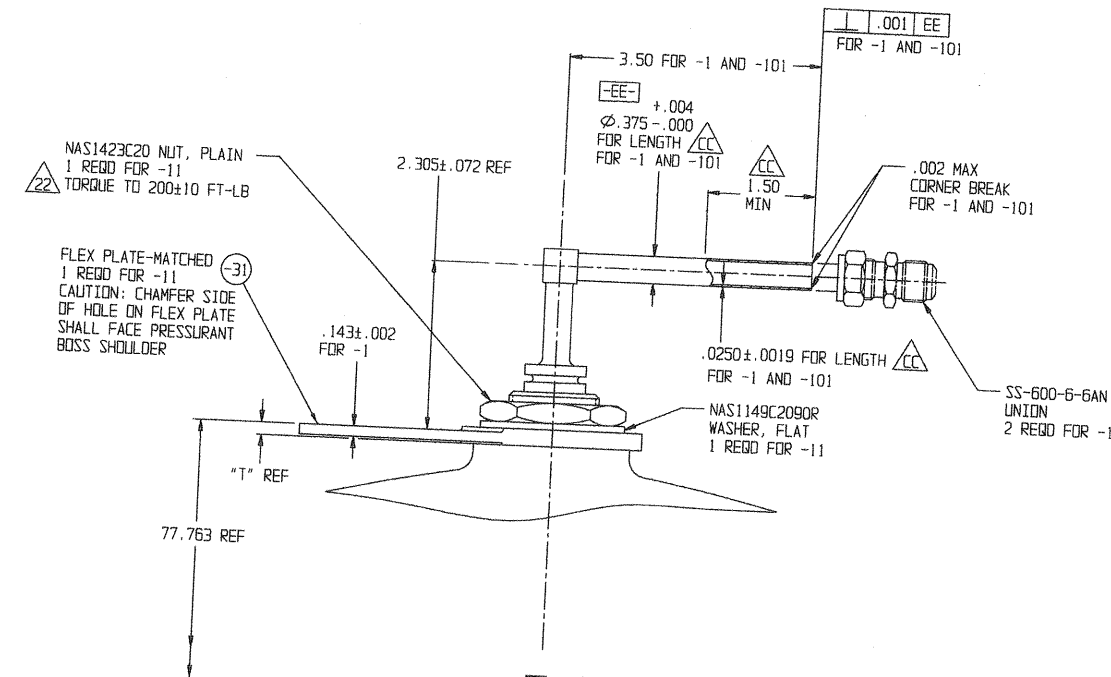
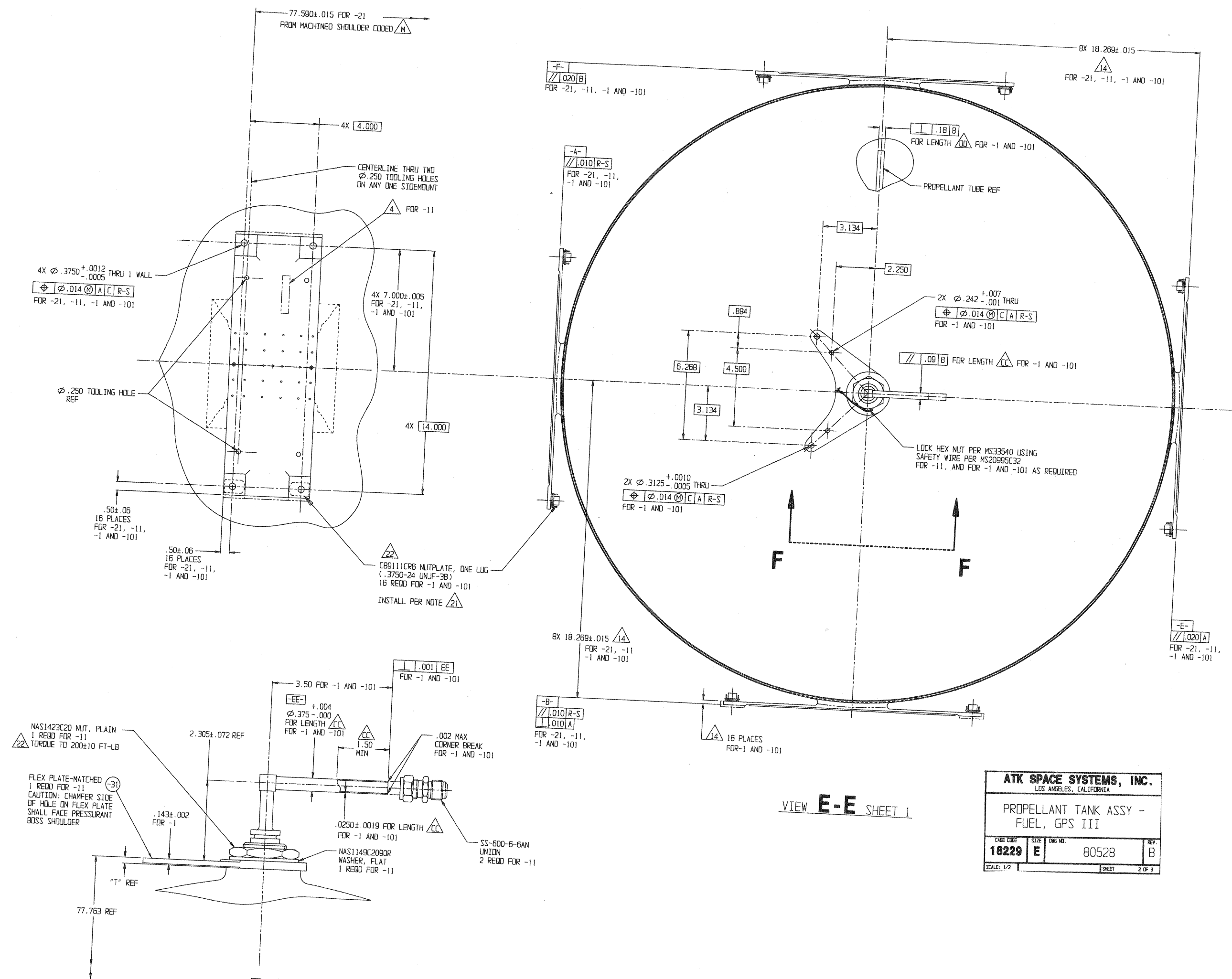


ATK SPACE SYSTEMS, INC.
LOS ANGELES, CALIFORNIA

PROPELLANT TANK ASSY -
FUEL, GPS III

CAGE CODE	SIZE	DWG NO.	REV.
18229	E	80528	C

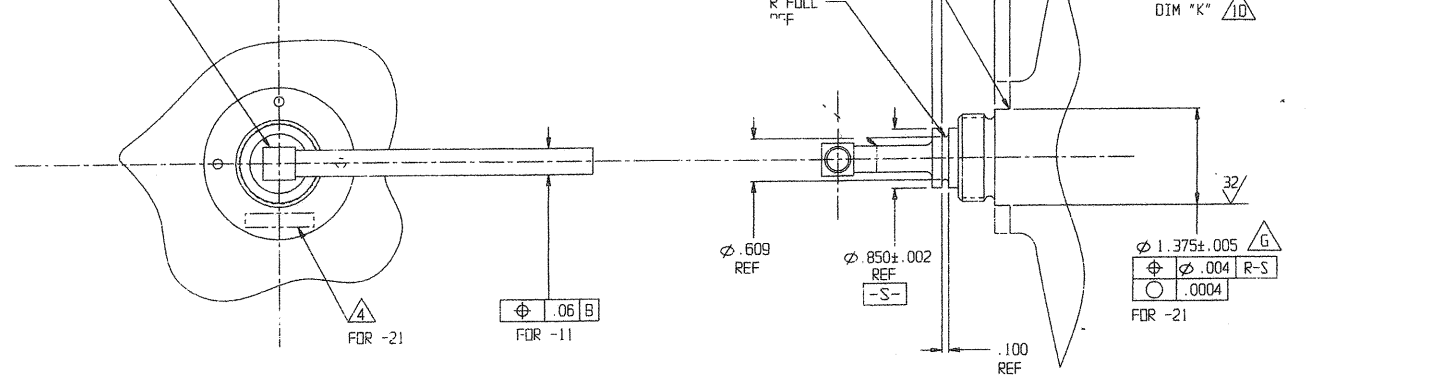
SCALE: 1/4" = 1" SHEET 1 OF 3



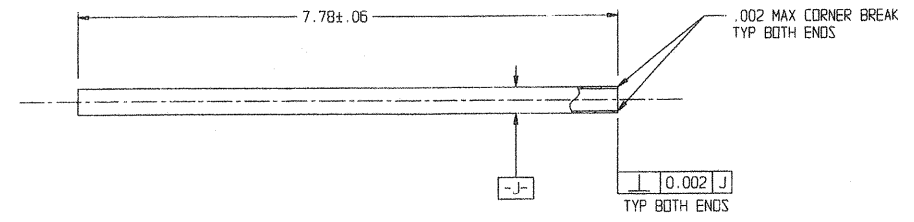
VIEW E-E SHEET 1

ATK SPACE SYSTEMS, INC. LOS ANGELES, CALIFORNIA			
PROPELLANT TANK ASSY - FUEL, GPS III			
CAGE CODE 18229	SIZE E	ENG NO. 80528	REV. B
SCALE: 1/2		SHEET 2 OF 3	

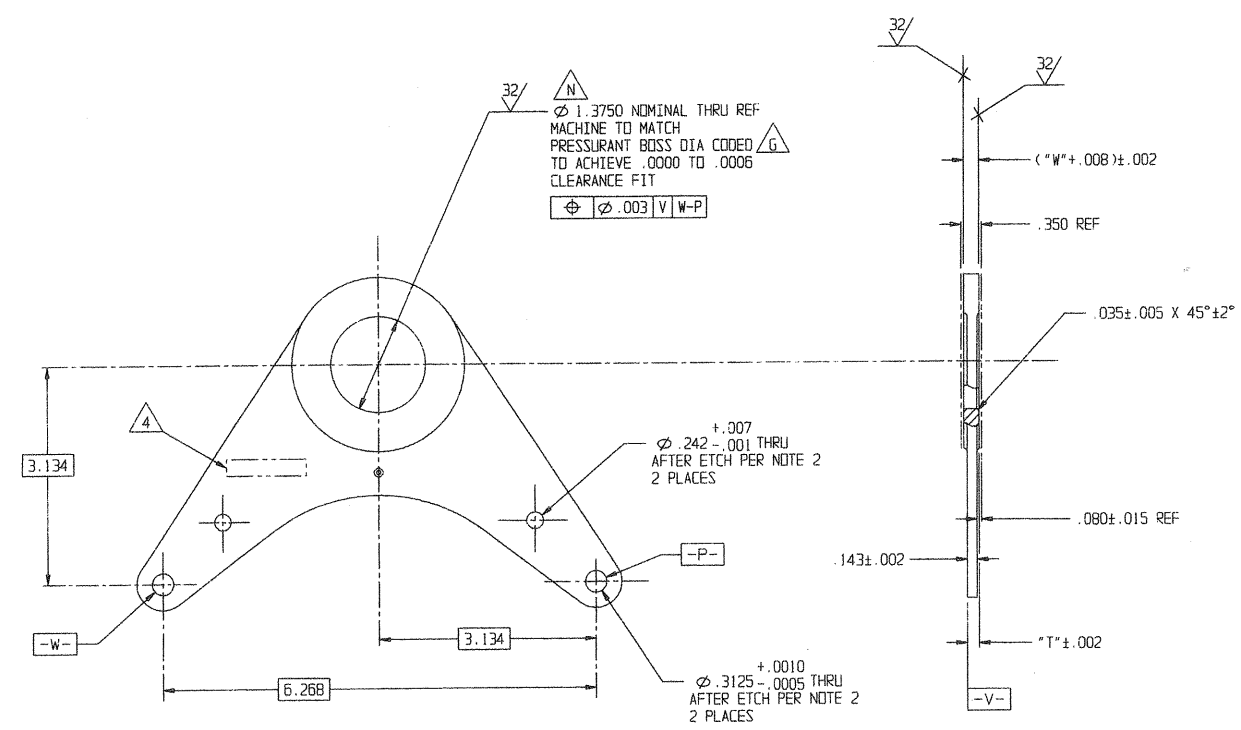
80-391011-1
ELBOW ASSY-INLET
1 REGD FOR -11



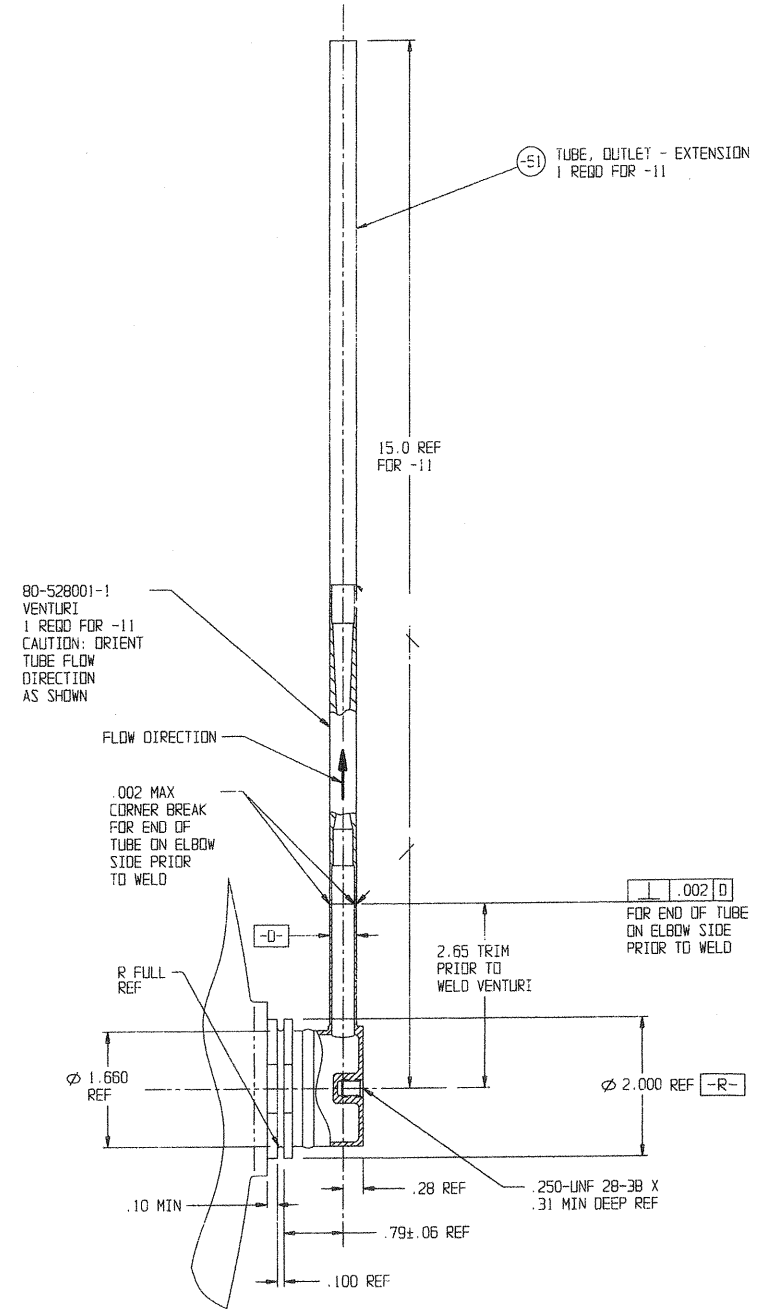
VIEW X SHEET 1
-31 FLEX PLATE - MATCHED &
NAS1149C209R WASHER & NAS1423C20 NUT
OMITTED FOR CLARITY



DETAIL -51



DETAIL -31



VIEW C SHEET 1

ATK SPACE SYSTEMS, INC. LOS ANGELES, CALIFORNIA			
PROPELLANT TANK ASSY - FUEL, GPS III			
CAGE CODE	SIZE	DWG NO.	REV.
18229	E	80528	C
DATE: 1/71		SHEET 3 OF 3	