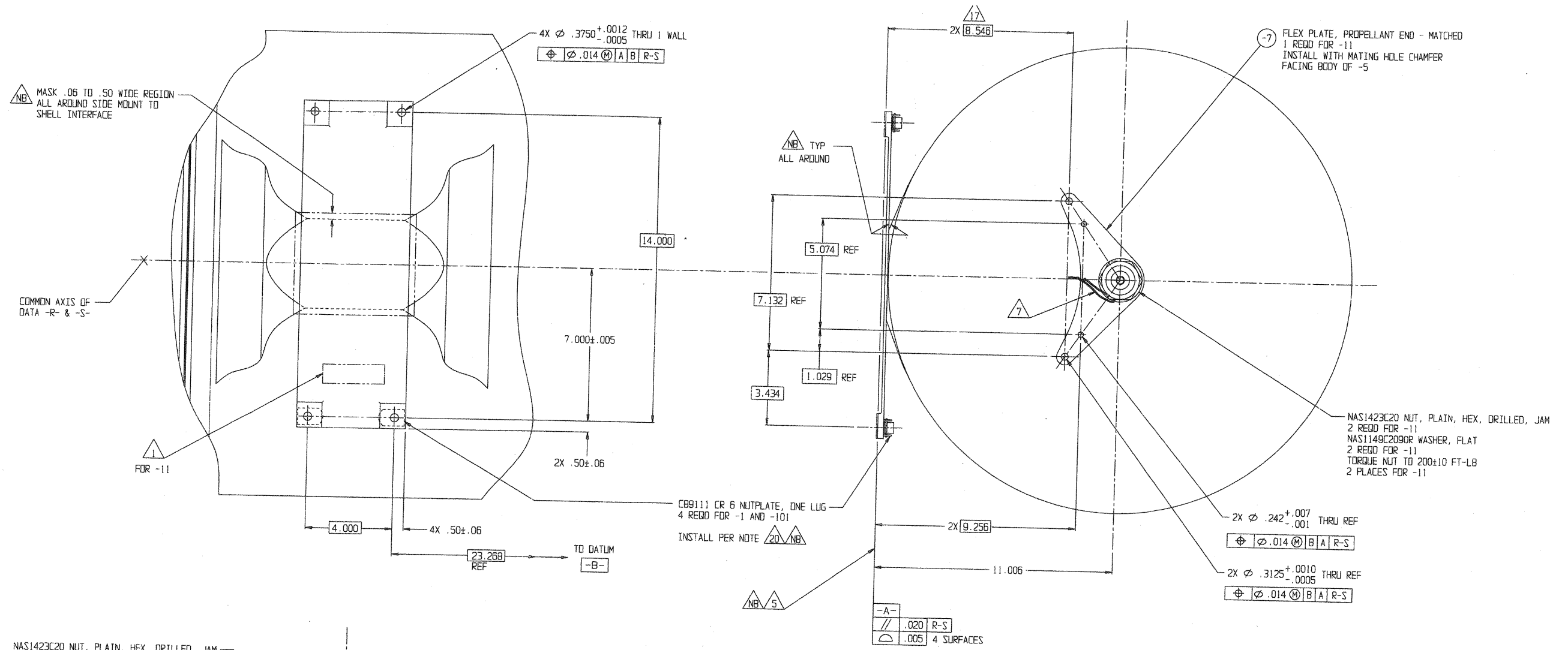


**ATK SPACE SYSTEMS, INC.**  
 LOS ANGELES, CALIFORNIA

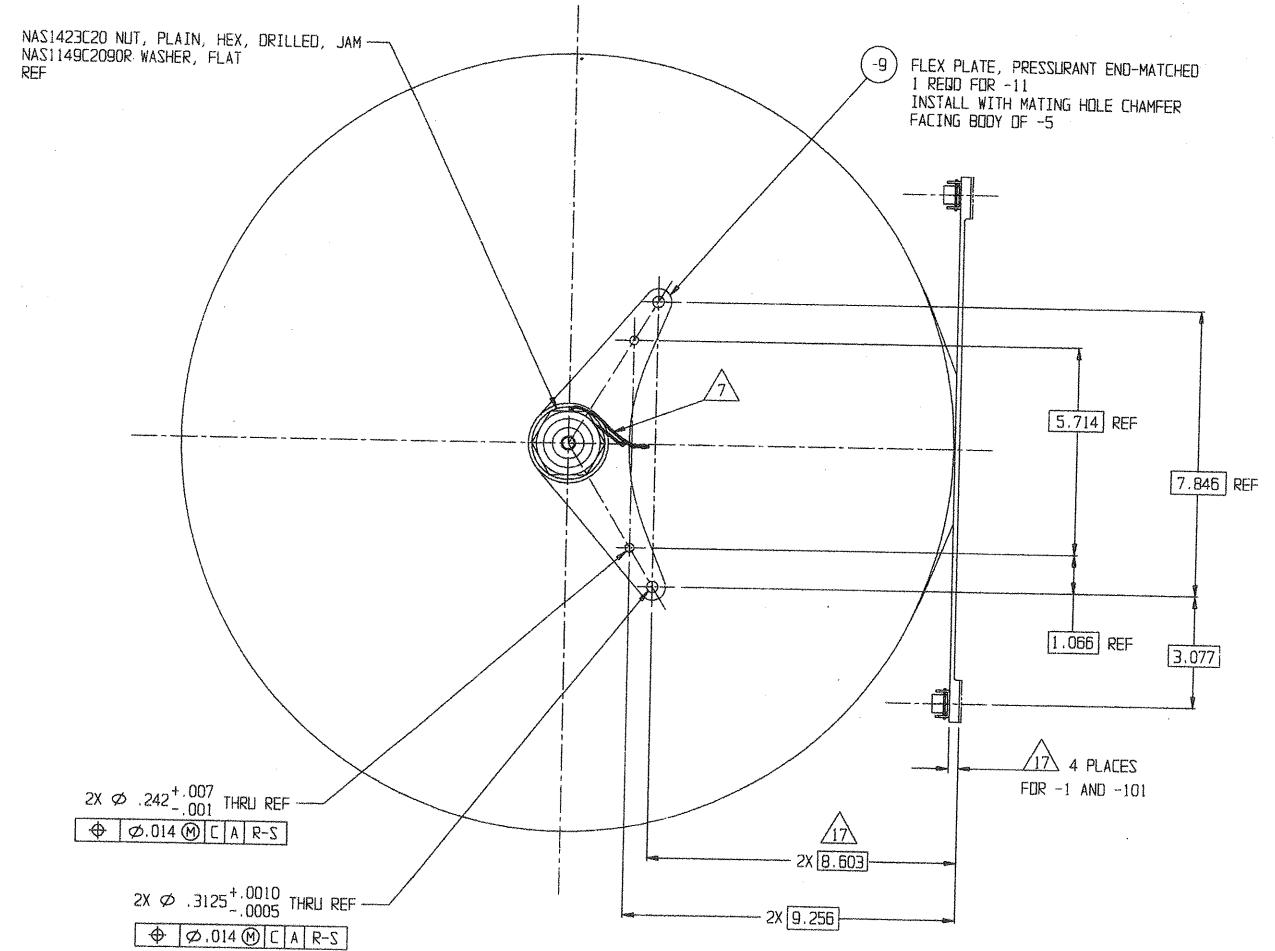
PROPELLANT TANK ASSY,  
 OXIDIZER-P69

CAGE CODE	SIZE	ENG NO.	REV.
18229	E	80529	C

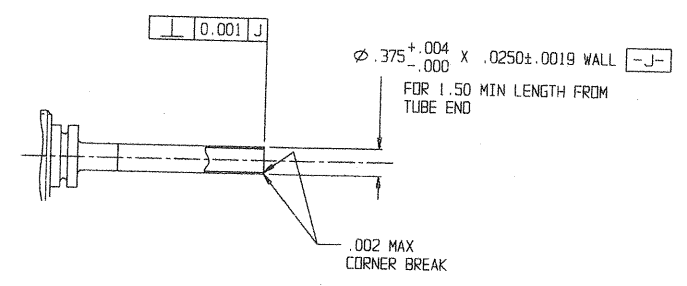
SCALE: 1/2 SHEET 1 OF 3



VIEW X-X SHEET 1



VIEW V-V SHEET 1



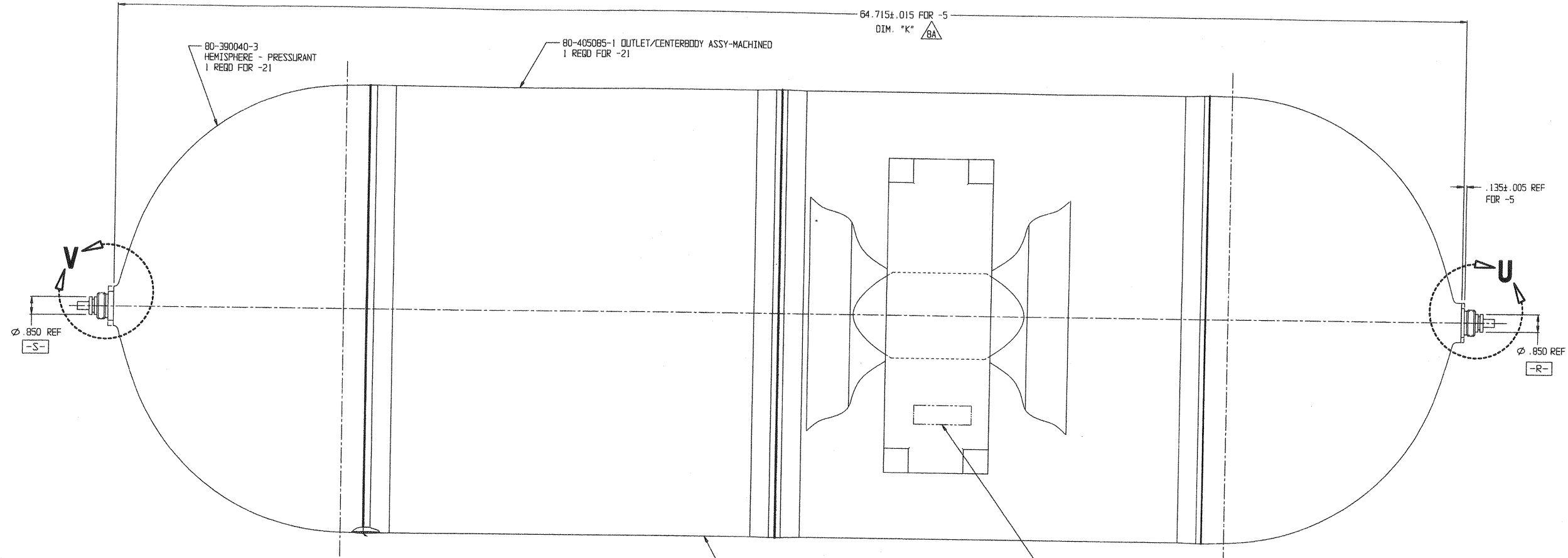
VIEW E SHOWN FOR -1 AND -101 SHEET 1

VIEW F OPPOSITE FOR -1 AND -101 SHEET 1

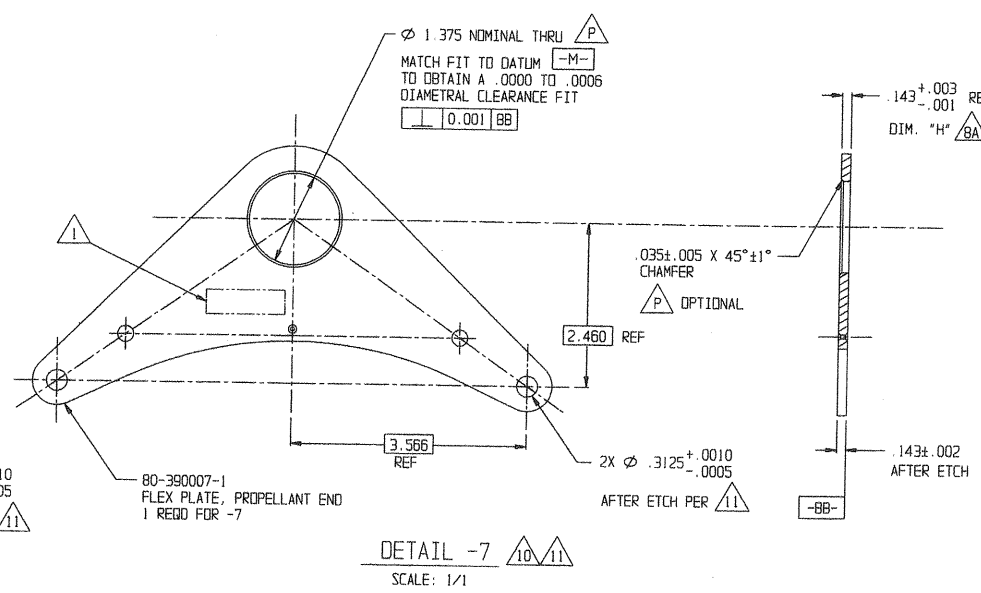
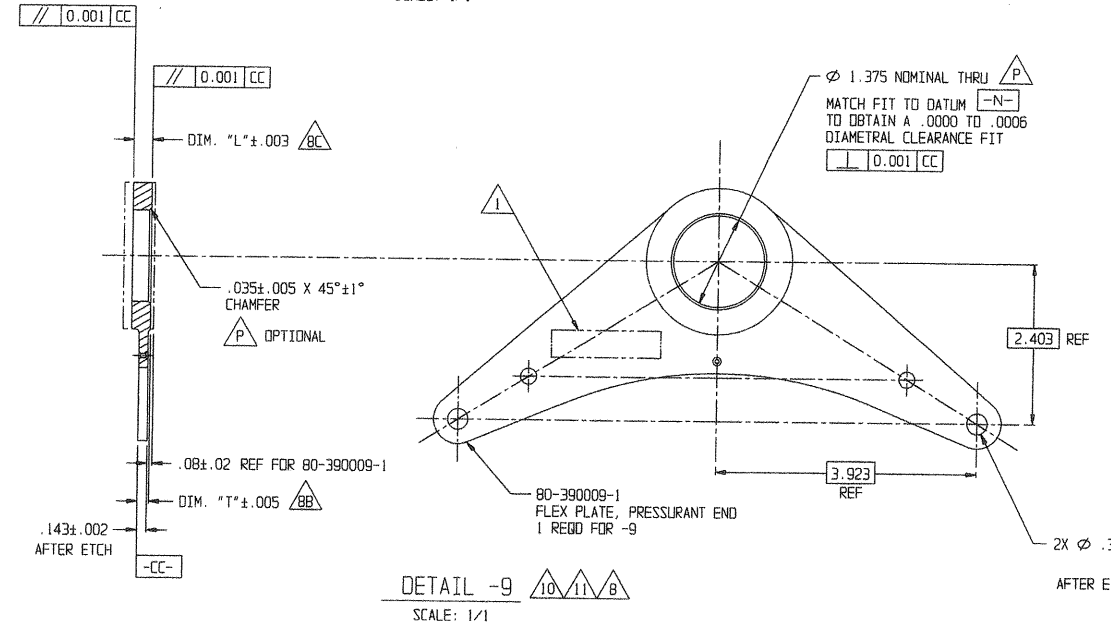
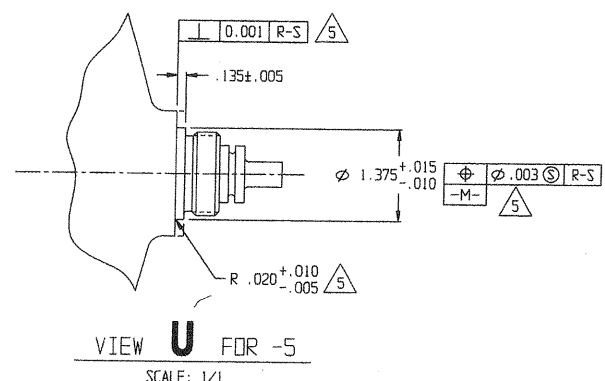
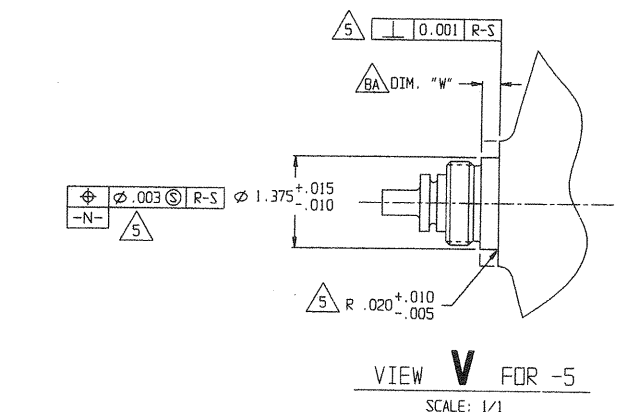
SCALE: 1/1

ATK SPACE SYSTEMS, INC.  
 LOS ANGELES, CALIFORNIA

PROPELLANT TANK ASSY,  
 OXIDIZER-P69



DETAIL -21 & -5



<b>ATK SPACE SYSTEMS, INC.</b> LOS ANGELES, CALIFORNIA			
PROPELLANT TANK ASSY, OXIDIZER-P69			
CAGE CODE <b>18229</b>	SIZE <b>E</b>	QWG NO. 80529	REV. <b>A</b>
SCALE: 1/2		SHEET 3 OF 3	