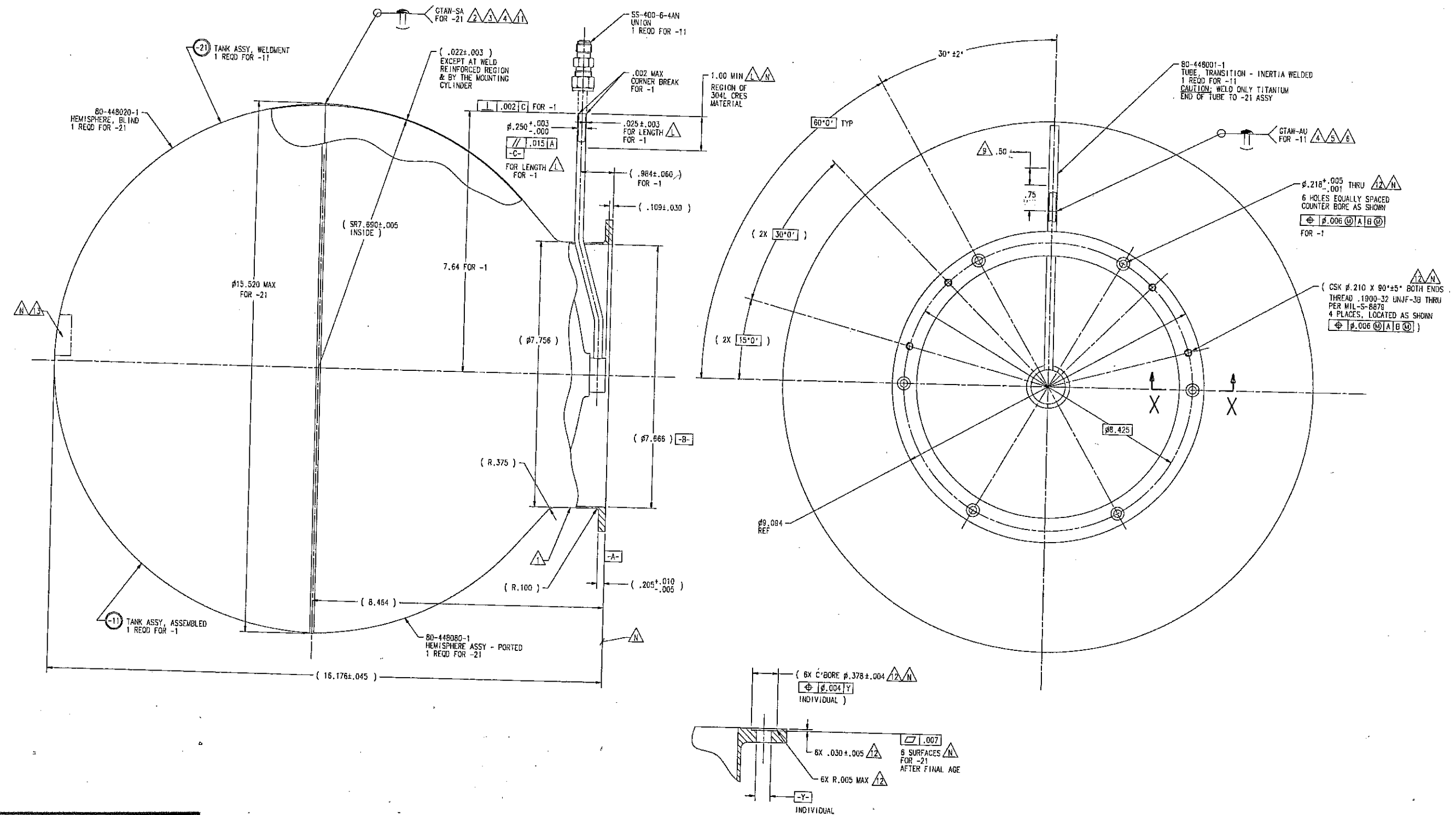


WARNING: INFORMATION SUBJECT TO EXPORT CONTROL LAWS
 THIS DOCUMENT CONTAINS INFORMATION SUBJECT TO THE INTERNATIONAL TRAFFIC IN ARMS REGULATIONS (ITAR) OR THE EXPORT ADMINISTRATION REGULATIONS (EAR). THE INFORMATION CONTAINED HEREIN MAY NOT BE EXPORTED, RELEASED, OR DISCLOSED TO ANY FOREIGN NATIONAL INSIDE OR OUTSIDE THE UNITED STATES WITHOUT FIRST OBTAINING AN EXPORT LICENSE, OR OTHER EXPORT APPROVAL AS REQUIRED BY THE EAR OR THE EAR. RECIPIENT IS RESPONSIBLE FOR COMPLIANCE WITH THE ITAR OR THE EAR AND APPLYING FOR ANY REQUIRED LICENSE OR OTHER APPROVAL.
INCLUDE THIS NOTICE WITH ANY REPRODUCED PORTION OF THIS DOCUMENT.



PROPRIETARY INFORMATION

THE INFORMATION, IDENTIFICATION AND DRAWINGS IN THIS DOCUMENT ARE SUBMITTED IN CONFIDENCE. THE RECIPIENT OF IT HEREBY AGREES THAT THE INFORMATION CONTAINED IS NOT TO BE COPIED, REPRODUCED OR DISCLOSED IN PART OR AS A WHOLE WITHOUT WRITTEN AUTHORITY OF ATK SPACE SYSTEMS, INC. COMMERCE, CA.

PRESSURE SYSTEMS, INC. <small>LOS ANGELES, CALIFORNIA</small>			
TANK ASSY, PRESSURANT			
QTY	REV	DATE	BY
18229	E	80448	NC
DATE	BY	DATE	BY